



Chipsmall Limited consists of a professional team with an average of over 10 year of expertise in the distribution of electronic components. Based in Hongkong, we have already established firm and mutual-benefit business relationships with customers from,Europe,America and south Asia,supplying obsolete and hard-to-find components to meet their specific needs.

With the principle of “Quality Parts,Customers Priority,Honest Operation,and Considerate Service”,our business mainly focus on the distribution of electronic components. Line cards we deal with include Microchip,ALPS,ROHM,Xilinx,Pulse,ON,Everlight and Freescale. Main products comprise IC,Modules,Potentiometer,IC Socket,Relay,Connector.Our parts cover such applications as commercial,industrial, and automotives areas.

We are looking forward to setting up business relationship with you and hope to provide you with the best service and solution. Let us make a better world for our industry!



Contact us

Tel: +86-755-8981 8866 Fax: +86-755-8427 6832

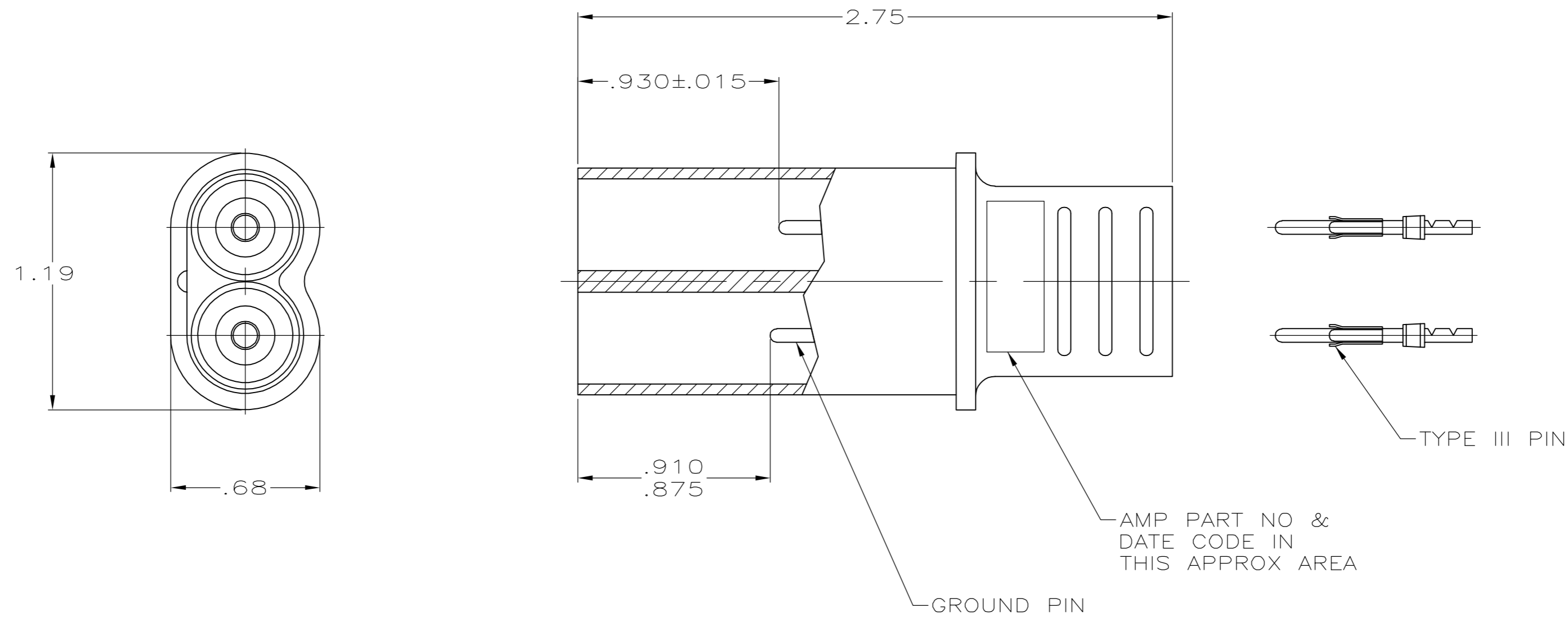
Email & Skype: info@chipsmall.com Web: www.chipsmall.com

Address: A1208, Overseas Decoration Building, #122 Zhenhua RD., Futian, Shenzhen, China



THIS DRAWING IS UNPUBLISHED. RELEASED FOR PUBLICATION - .N/A .
 © COPYRIGHT N/A BY TYCO ELECTRONICS CORPORATION. ALL RIGHTS RESERVED.

LOC	DIST	REVISIONS					
DF	S0	P	LTR	DESCRIPTION	DATE	DWN	APVD
		G		REV PER 0H14-0191-05	05-05	AA	DE



TIN	18-16 AWG	1-66099-5	90067-2	862434-7
TIN	22-20 AWG	1-66400-0	90067-2	862434-6
GOLD	18-16 AWG	66099-1	90067-2	862434-5
TIN-LEAD	22-20 AWG	66400-1	90067-2	862434-4
TIN-LEAD	18-16 AWG	66099-2	90067-2	862434-3
TIN-LEAD	22-20 AWG	66400-1	90067-2	862434-2
TIN-LEAD	18-16 AWG	66099-2	90067-2	862434-1
CONTACT PLATING (REF)	WIRE RANGE FOR PINS	PIN PART NO. QTY = 2	HAND TOOL	PART NO.

THIS DRAWING IS A CONTROLLED DOCUMENT.

DWN	C.C.THOMAS	15-MAY-03	 Tyco Electronics Corporation Harrisburg, Pa 17105-3608
CHK	D. EABY	15-MAY-03	
APVD	D. EABY	15-MAY-03	
PRODUCT SPEC			
APPLICATION SPEC			NAME
DIMENSIONS: INCHES 			PLUG KIT 2 CAVITY LGH
TOLERANCES UNLESS OTHERWISE SPECIFIED: 0 PLC ± - 1 PLC ± - 2 PLC ± .02 3 PLC ± .005 4 PLC ± - ANGLES ± - FINISH -			SIZE A2 CAGE CODE 00779 DRAWING NO C=862434 RESTRICTED TO -
MATERIAL -			WEIGHT - SCALE 2:1 SHEET 1 OF 1 REV G
CUSTOMER DRAWING			