



Chipsmall Limited consists of a professional team with an average of over 10 year of expertise in the distribution of electronic components. Based in Hongkong, we have already established firm and mutual-benefit business relationships with customers from,Europe,America and south Asia,supplying obsolete and hard-to-find components to meet their specific needs.

With the principle of “Quality Parts,Customers Priority,Honest Operation,and Considerate Service”,our business mainly focus on the distribution of electronic components. Line cards we deal with include Microchip,ALPS,ROHM,Xilinx,Pulse,ON,Everlight and Freescale. Main products comprise IC,Modules,Potentiometer,IC Socket,Relay,Connector.Our parts cover such applications as commercial,industrial, and automotives areas.

We are looking forward to setting up business relationship with you and hope to provide you with the best service and solution. Let us make a better world for our industry!



Contact us

Tel: +86-755-8981 8866 Fax: +86-755-8427 6832

Email & Skype: info@chipsmall.com Web: www.chipsmall.com

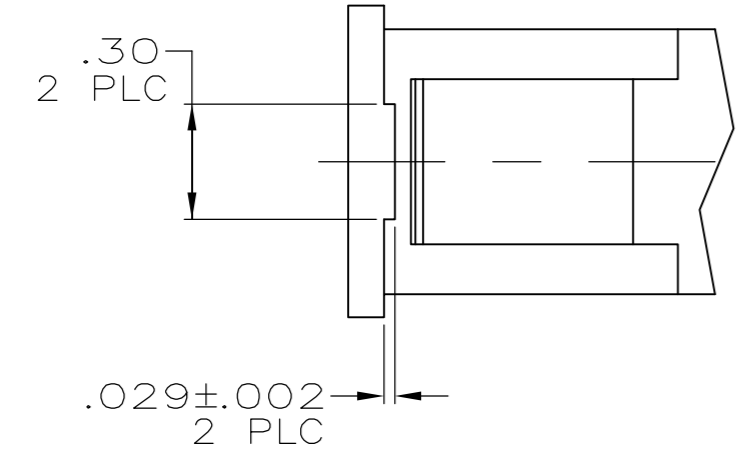
Address: A1208, Overseas Decoration Building, #122 Zhenhua RD., Futian, Shenzhen, China



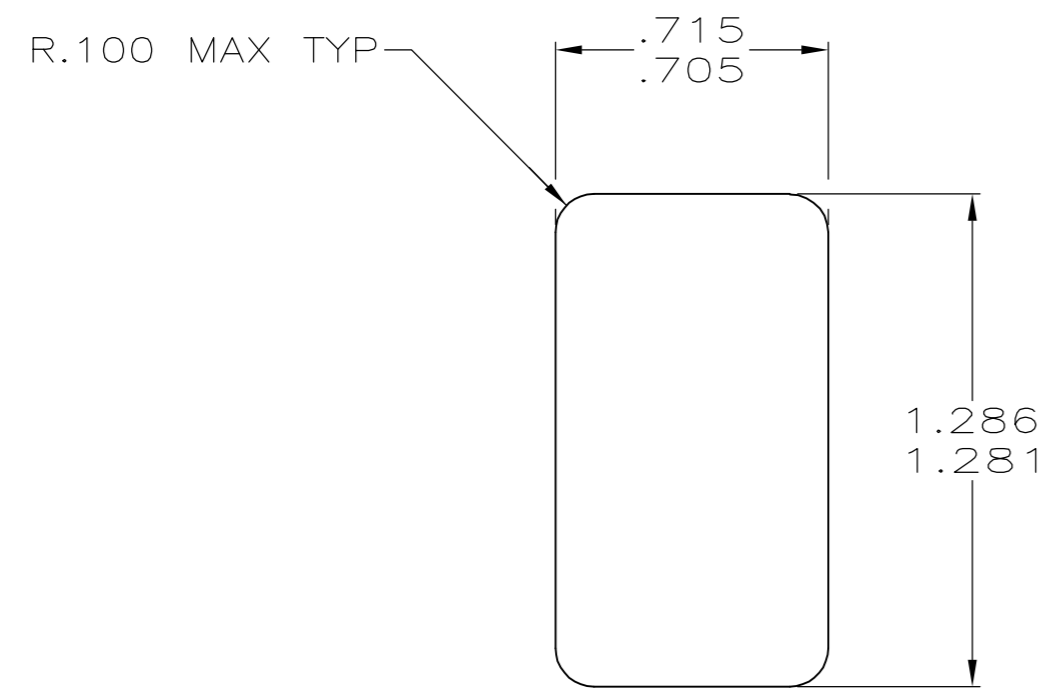
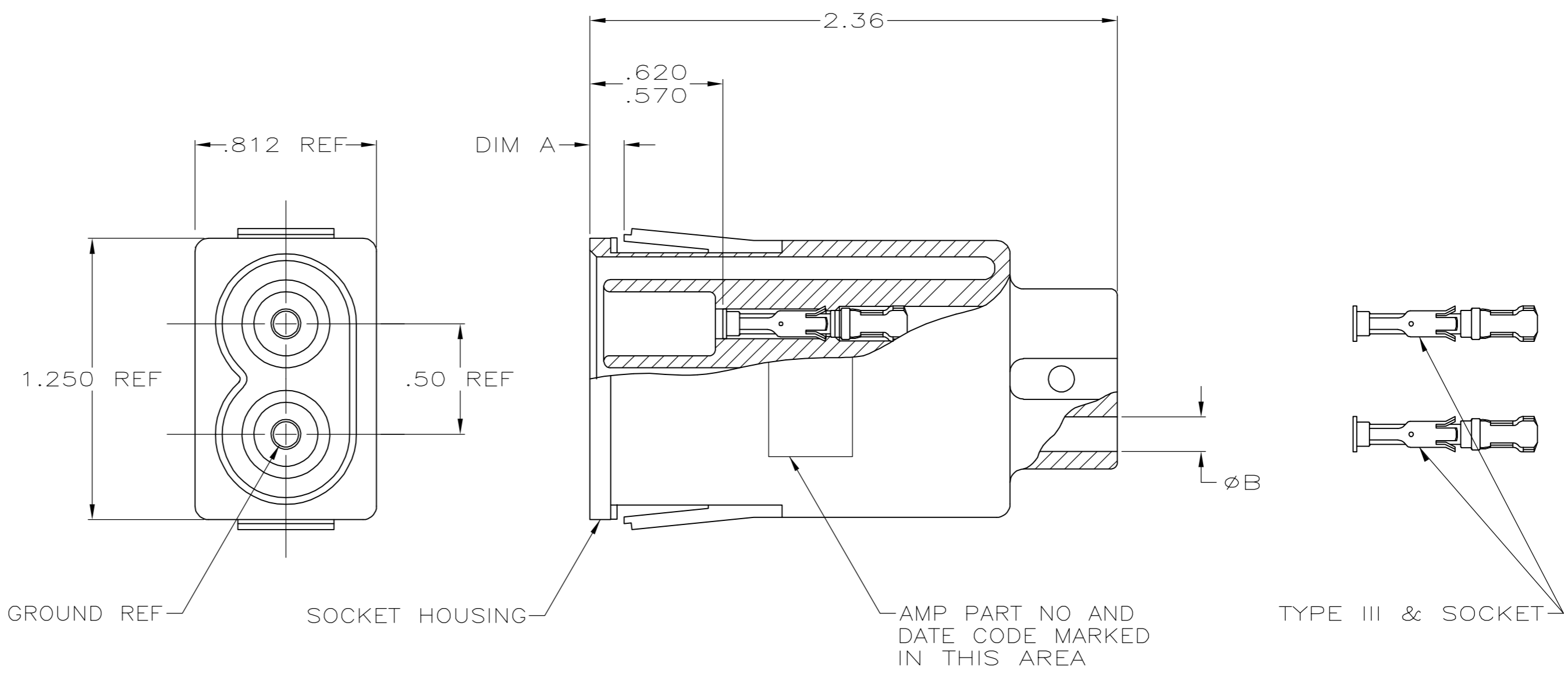
THIS DRAWING IS UNPUBLISHED. RELEASED FOR PUBLICATION - .N/A .
 © COPYRIGHT N/A BY TYCO ELECTRONICS CORPORATION. ALL RIGHTS RESERVED.

LOC	DIST	REVISIONS					
DF	S0	P	LTR	DESCRIPTION	DATE	DWN	APVD
		M		REV PER ECO-06-025223	31OCT06	PY	DE

CONTACTS ARE PLATED WITH TIN PER ASTM-B-545 FOR 1-862435-4 & 1-862435-5 ONLY.



DETAIL T



RECOMMENDED PANEL CUTOUT

△	90067-2	18-16	.200	.062	1-66101-9	1-862435-5
△	90067-2	18-16	.125	.062	1-66101-9	1-862435-4
	90067-2	22-20	.125	.030	66399-1	1-862435-3
OBSOLETE	90067-2	18-16	.125	.030	66101-2	1-862435-2
OBSOLETE	90067-2	22-20	.200	.030	66399-1	1-862435-1
OBSOLETE	90067-2	18-16	.200	.030	66101-2	1-862435-0
OBSOLETE	90067-2	22-20	.125	.090	66399-1	862435-9
	90067-2	18-16	.125	.090	66101-2	862435-8
	90067-2	22-20	.200	.090	66399-1	862435-7
	90067-2	18-16	.200	.090	66101-2	862435-6
	90067-2	18-16	.200	.062	66101-1	862435-5
	90067-2	22-20	.200	.062	66399-1	862435-4
	90067-2	18-16	.200	.062	66101-2	862435-3
	90067-2	22-20	.125	.062	66399-1	862435-2
	90067-2	18-16	.125	.062	66101-2	862435-1
HAND TOOL	WIRE SIZE RANGE (AWG)	INSUL DIA	DIM A	SOCKET NO.	PART NUMBER	

THIS DRAWING IS A CONTROLLED DOCUMENT.

DWN	C.C.THOMAS	15-MAY-03	Tyco Electronics Corporation Harrisburg, Pa 17105-3608
CHK	D. EABY	15-MAY-03	
APVD	D. EABY	15-MAY-03	
PRODUCT SPEC			
APPLICATION SPEC			NAME 2 CAVITY RECEPTACLE KIT LGH
MATERIAL	FINISH	WEIGHT	SIZE A2
		CUSTOMER DRAWING	CAGE CODE 00779
			DRAWING NO C=862435
			RESTRICTED TO -
			SCALE 2:1
			SHEET 1 OF 1
			REV M