



Chipsmall Limited consists of a professional team with an average of over 10 year of expertise in the distribution of electronic components. Based in Hongkong, we have already established firm and mutual-benefit business relationships with customers from,Europe,America and south Asia,supplying obsolete and hard-to-find components to meet their specific needs.

With the principle of “Quality Parts,Customers Priority,Honest Operation,and Considerate Service”,our business mainly focus on the distribution of electronic components. Line cards we deal with include Microchip,ALPS,ROHM,Xilinx,Pulse,ON,Everlight and Freescale. Main products comprise IC,Modules,Potentiometer,IC Socket,Relay,Connector.Our parts cover such applications as commercial,industrial, and automotives areas.

We are looking forward to setting up business relationship with you and hope to provide you with the best service and solution. Let us make a better world for our industry!



## Contact us

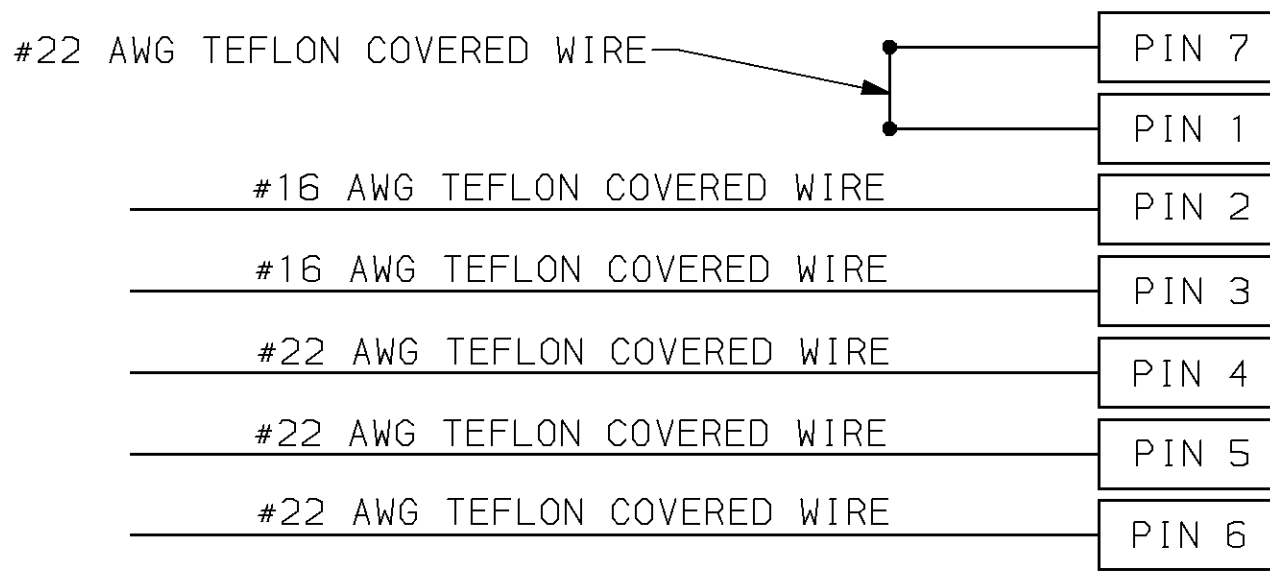
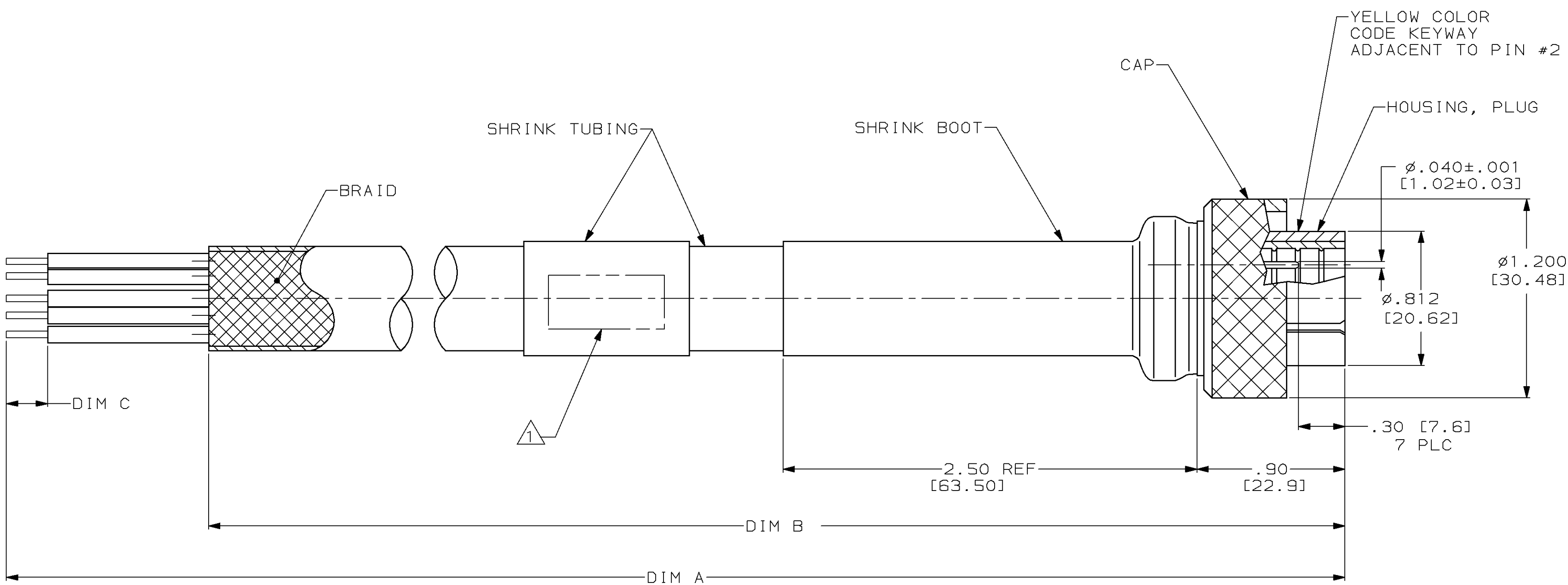
Tel: +86-755-8981 8866 Fax: +86-755-8427 6832

Email & Skype: info@chipsmall.com Web: www.chipsmall.com

Address: A1208, Overseas Decoration Building, #122 Zhenhua RD., Futian, Shenzhen, China



LOC	DIST	P	F	ZONE	LTR	REVISIONS	DATE	APPD
DF	SO				K	REV & REDRAWN; 0600-7132-98	CT 11-98	DE



SCHMATIC

OBSOLETE	-	144.00 [3657.6]	144.00 [3657.6]	862800-5
	-	120.00 [3048.0]	120.00 [3048.0]	862800-4
	.25 [6.4]	40.00 [1016.0]	43.00 [1092.2]	862800-3
OBSOLETE	.25 [6.4]	37.00 [939.8]	40.00 [1016.0]	862800-2
OBSOLETE	.25 [6.4]	15.25 [387.3]	18.25 [463.5]	862800-1

- 1 MARKED IN THIS AREA.
- 2. PLUG TO MATE WITH AMP PART NO. 862004 RECEPTACLE.
- 3 TOLERANCE: UP TO 24.00" [609.6] =  $\pm .12$  [3.0]  
24.00" [609.6] & UP =  $\pm 1\%$

DO NOT SCALE PRINT. UNLESS SPECIFIED DIMENSIONS IN INCHES [mm] TOLERANCES ON : 2 PLC DEC $\pm .02$ [0.5] 3 PLC DEC $\pm .005$ [0.13] ANGLES $\pm -$	DR 11-6-98 C.C. THOMAS	AMP INCORPORATED Harrisburg, Pa. 17105	
MATERIAL -	CHK 11-9-98 D.EABY		
FINISH -	APPD 11-9-98 D.EABY	SIZE C	FSCM NO 00779
	RLSE 11-9-98 C.C. THOMAS	SCALE 2:1	DRAWING NO 862800
	PRODUCT SPEC -		SHEET 1 OF 1
	APPLICATION SPEC -		
	WEIGHT -		