



Chipsmall Limited consists of a professional team with an average of over 10 year of expertise in the distribution of electronic components. Based in Hongkong, we have already established firm and mutual-benefit business relationships with customers from,Europe,America and south Asia,supplying obsolete and hard-to-find components to meet their specific needs.

With the principle of “Quality Parts,Customers Priority,Honest Operation,and Considerate Service”,our business mainly focus on the distribution of electronic components. Line cards we deal with include Microchip,ALPS,ROHM,Xilinx,Pulse,ON,Everlight and Freescale. Main products comprise IC,Modules,Potentiometer,IC Socket,Relay,Connector.Our parts cover such applications as commercial,industrial, and automotives areas.

We are looking forward to setting up business relationship with you and hope to provide you with the best service and solution. Let us make a better world for our industry!



Contact us

Tel: +86-755-8981 8866 Fax: +86-755-8427 6832

Email & Skype: info@chipsmall.com Web: www.chipsmall.com

Address: A1208, Overseas Decoration Building, #122 Zhenhua RD., Futian, Shenzhen, China



THIS DRAWING IS UNPUBLISHED.

RELEASED FOR PUBLICATION

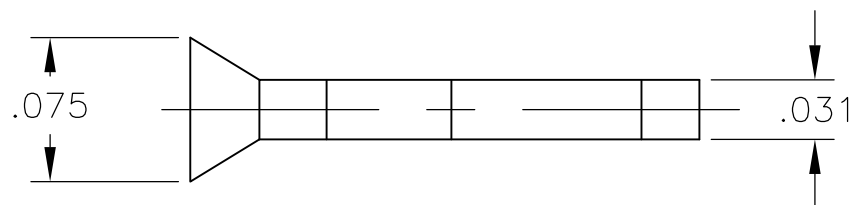
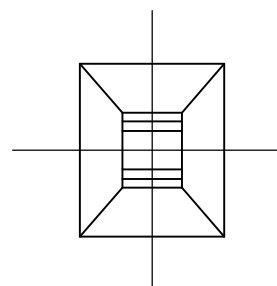
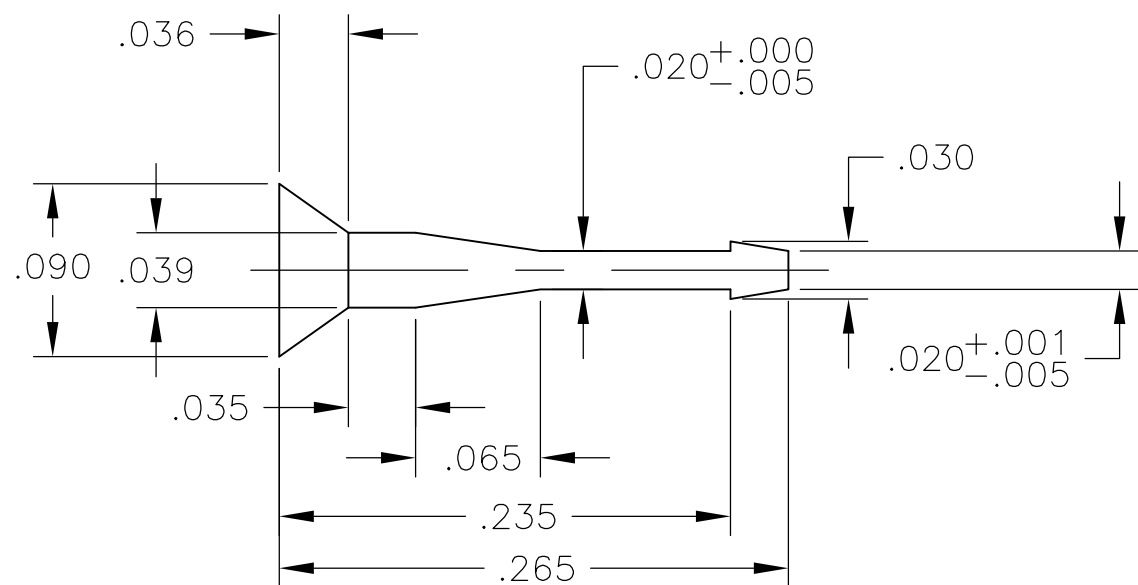
© COPYRIGHT - By -

ALL RIGHTS RESERVED.


LOC AD DIST 00

REVISIONS

P	LTR	DESCRIPTION	DATE	DWN	APVD
C1		REVISED PER ECO-11-004917	11MAR11	RK	HMR



86286-1 AS SHOWN

THIS DRAWING IS A CONTROLLED DOCUMENT.		DWN R BROWN 17OCT01	 TE Connectivity			
DIMENSIONS: INCHES		CHK J OLSON 17OCT01				NAME
TOLERANCES UNLESS OTHERWISE SPECIFIED:		APVD J OLSON 17OCT01	KEYING PLUG FOR MOD II, AND IV			
<ul style="list-style-type: none"> 0 PLC ± - 1 PLC ± - 2 PLC ± - 3 PLC ± .003 4 PLC ± - ANGLES ± - 		PRODUCT SPEC -	RESTRICTED TO -			
MATERIAL NYLON 6/6 COLOR: NATURAL		FINISH -	APPLICATION SPEC -	SIZE A3	CAGE CODE 00779	DRAWING NO C-86286
CUSTOMER DRAWING			WEIGHT -	SCALE 10:1	SHEET 1 OF 1	REV C1