



Chipsmall Limited consists of a professional team with an average of over 10 year of expertise in the distribution of electronic components. Based in Hongkong, we have already established firm and mutual-benefit business relationships with customers from,Europe,America and south Asia,supplying obsolete and hard-to-find components to meet their specific needs.

With the principle of “Quality Parts,Customers Priority,Honest Operation,and Considerate Service”,our business mainly focus on the distribution of electronic components. Line cards we deal with include Microchip,ALPS,ROHM,Xilinx,Pulse,ON,Everlight and Freescale. Main products comprise IC,Modules,Potentiometer,IC Socket,Relay,Connector.Our parts cover such applications as commercial,industrial, and automotives areas.

We are looking forward to setting up business relationship with you and hope to provide you with the best service and solution. Let us make a better world for our industry!



Contact us

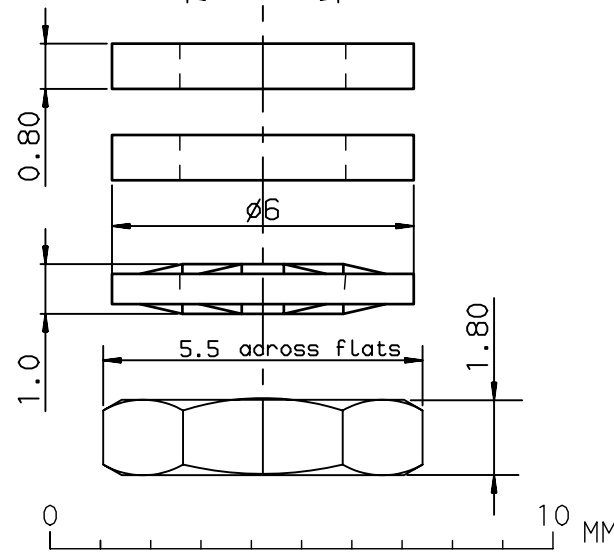
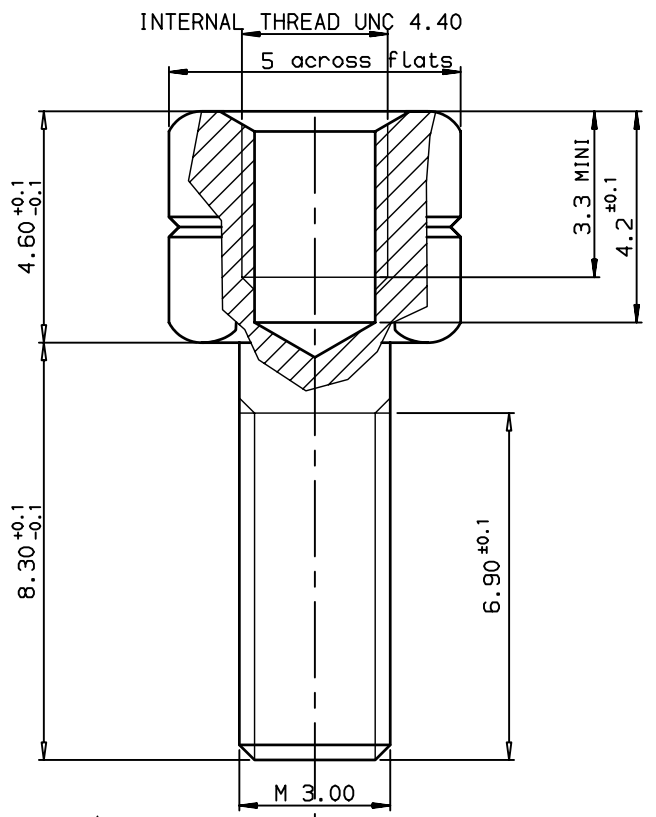
Tel: +86-755-8981 8866 Fax: +86-755-8427 6832

Email & Skype: info@chipsmall.com Web: www.chipsmall.com

Address: A1208, Overseas Decoration Building, #122 Zhenhua RD., Futian, Shenzhen, China



Copyright FCJ.



TECHNICAL CHARACTERISTICS :

- Female screw locks: brass, cadmium plated .
- Compensating washer: steel, cadmium plated .
- Nuts : steel, cadmium plated .
- Packaging : per 100 pieces .
- Corrosion resistance : 50 hour exposure to salt spray .

Part number 863001

European Views

rev	ecn no	dr	date
A	-	JOU	1995/06/20
B	LS06-0097	LGO	2006/07/28
C	LS07-0001	MPE	2007/01/04
D	LS09-0006	PCR	2008/01/08
E	LS09-0063	PCR	2009/03/25
-	-	-	-
-	-	-	-

www.fciconnect.com		surface ISO 1302 ✓	tolerance std ISO 406 ISO 1101	projection 	mm
TOLERANCES UNLESS OTHERWISE SPECIFIED					
Dr	JOUBERT	1995/06/20	ANGULAR	0.X ±0.1	size A3
Eng	PESSON	1995/06/20	LINEAR	0.XX ±0.1	Scale 10
Chr	LEGARE	1995/06/20	0.XX' ±2'	0.XXX ±0.1	ECN LS09-0063
Appr	LEGARE	1995/06/20	Product family	D-SUB	Spec ref -
			FEMALE SCREW LOCKS D SUB ACCESSORIES		dwg no C01-8655-0677
catalog no			CUSTOMER		Rev. E
			sheet 1 of 1		

REV F - 2006-04-17