



Chipsmall Limited consists of a professional team with an average of over 10 year of expertise in the distribution of electronic components. Based in Hongkong, we have already established firm and mutual-benefit business relationships with customers from,Europe,America and south Asia,supplying obsolete and hard-to-find components to meet their specific needs.

With the principle of “Quality Parts,Customers Priority,Honest Operation,and Considerate Service”,our business mainly focus on the distribution of electronic components. Line cards we deal with include Microchip,ALPS,ROHM,Xilinx,Pulse,ON,Everlight and Freescale. Main products comprise IC,Modules,Potentiometer,IC Socket,Relay,Connector.Our parts cover such applications as commercial,industrial, and automotives areas.

We are looking forward to setting up business relationship with you and hope to provide you with the best service and solution. Let us make a better world for our industry!



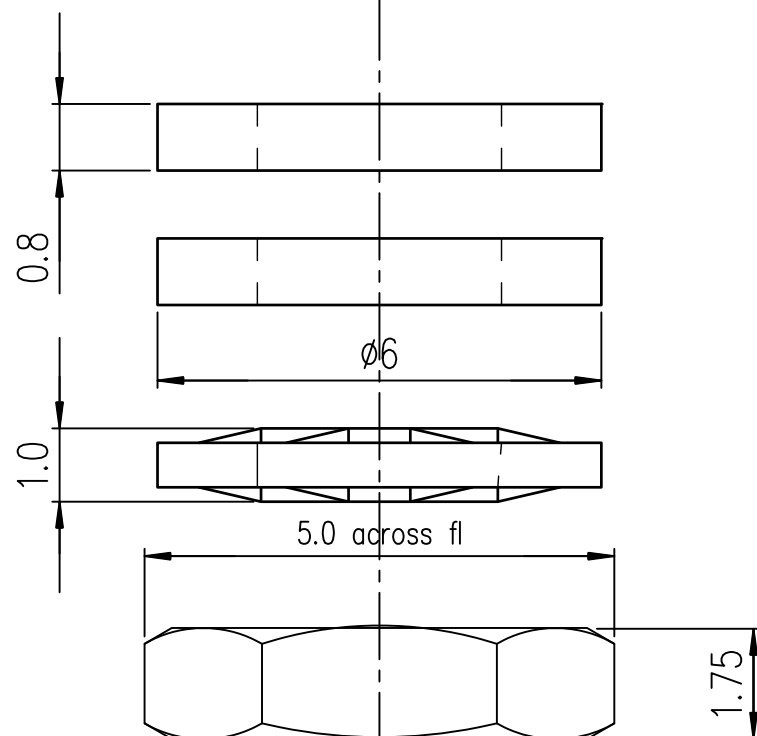
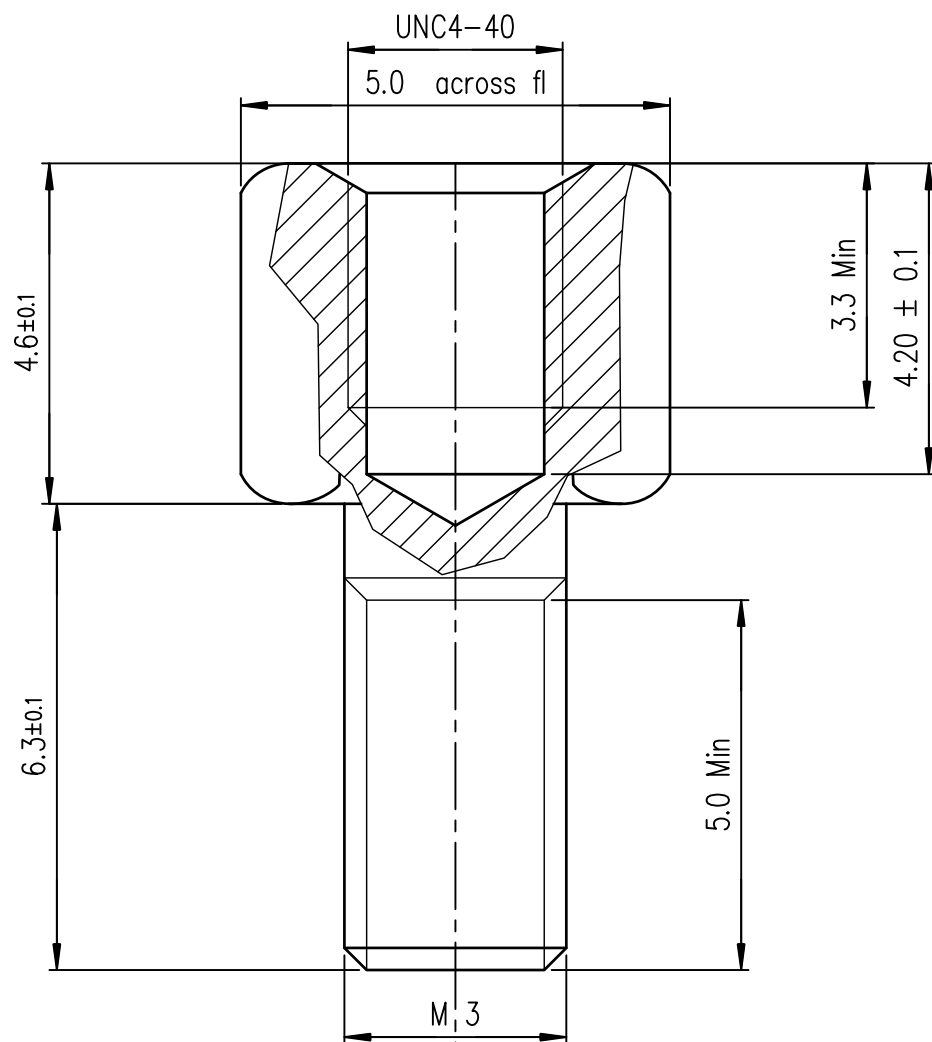
Contact us

Tel: +86-755-8981 8866 Fax: +86-755-8427 6832

Email & Skype: info@chipsmall.com Web: www.chipsmall.com

Address: A1208, Overseas Decoration Building, #122 Zhenhua RD., Futian, Shenzhen, China





TECHNICAL CHARACTERISTICS :

- Compensating washer: steel , tin plated .
- Nuts : steel , tin plated .
- Packaging : per 100 pieces .
- Corrosion resistance : 24 hours exposure to salt spray .

PART NUMBER	Material female screw locks
863001017TLF	Brass,tin plated
86552154TLF	Steel,tin plated

NOTE: RoHS INFORMATIONS

- The "LF" products meet European union Directives and other country regulations as described in GS-22-008.
- Plating Sn (pure bright) over copper
- Packaging spec: see GS-14-920

European Views

www.fciconnect.com			surface ISO 1302 ✓	tolerance std ISO 406 ISO 1101	projection mm
TOLERANCES UNLESS OTHERWISE SPECIFIED					
Dr	JOUBERT	2002/03/12	ANGULAR	0.X	±0.1
Eng	PESSON	2002/03/12	LINEAR	0.XX	±0.1
Chr	ABHILASH	2011/01/25	0.XX' ±2	0.XXX	±0.1
Appr	SUDHIR	2011/01/25	Product family	D-SUB	Spec ref -
title FEMALE SCREW LOCKS			dwg no C01-8655-1557		Rev. G
catalog no			CUSTOMER		sheet 1 of 1

rev	ecn no	dr	date
B	-	JOU	2003/01/17
C	LS05-0026	MPE	2005/07/08
D	LS06-0097	LGO	2006/07/28
E	LS09-0006	PCR	2009/01/08
F	LS09-0063	PCR	2009/03/25
G	I11-0022	AMR	2011/01/25
-	-	-	-



Copyright FCI.