



Chipsmall Limited consists of a professional team with an average of over 10 year of expertise in the distribution of electronic components. Based in Hongkong, we have already established firm and mutual-benefit business relationships with customers from,Europe,America and south Asia,supplying obsolete and hard-to-find components to meet their specific needs.

With the principle of “Quality Parts,Customers Priority,Honest Operation,and Considerate Service”,our business mainly focus on the distribution of electronic components. Line cards we deal with include Microchip,ALPS,ROHM,Xilinx,Pulse,ON,Everlight and Freescale. Main products comprise IC,Modules,Potentiometer,IC Socket,Relay,Connector.Our parts cover such applications as commercial,industrial, and automotives areas.

We are looking forward to setting up business relationship with you and hope to provide you with the best service and solution. Let us make a better world for our industry!



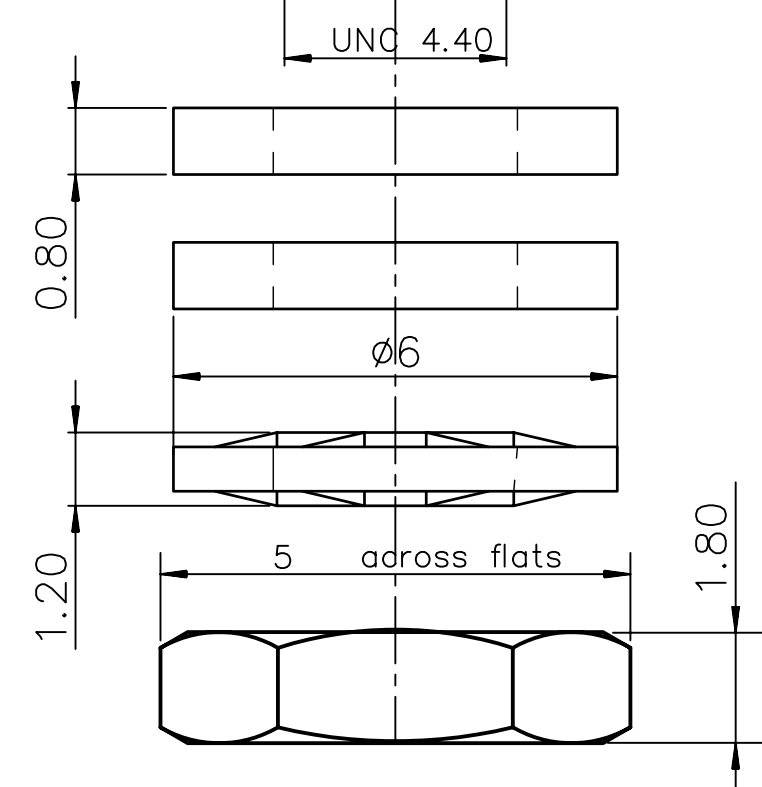
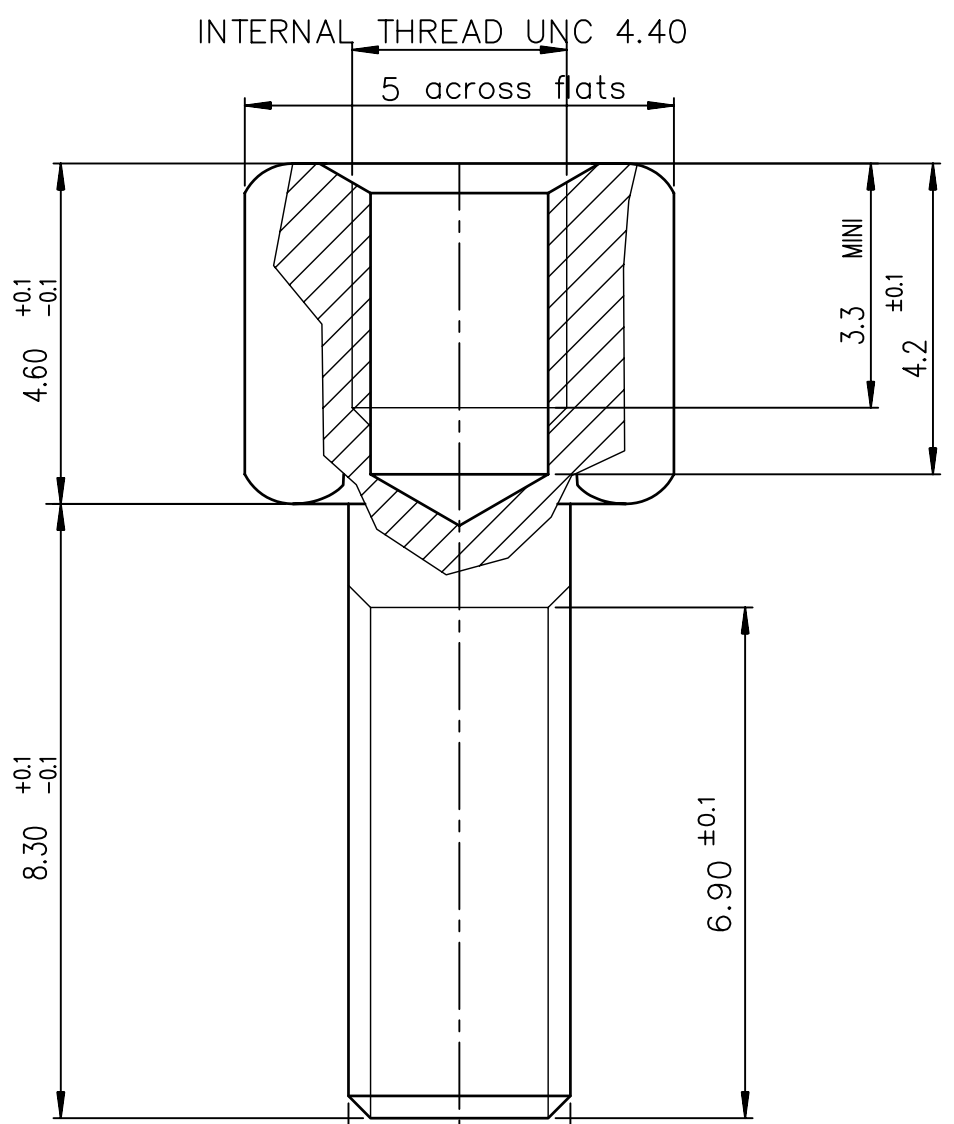
Contact us

Tel: +86-755-8981 8866 Fax: +86-755-8427 6832

Email & Skype: info@chipsmall.com Web: www.chipsmall.com

Address: A1208, Overseas Decoration Building, #122 Zhenhua RD., Futian, Shenzhen, China





TECHNICAL CHARACTERISTICS :

Female screw locks: brass, Zinc(Cr3+)/Nickel
 Compensating washer: steel , Zinc(Cr3+)/Nickel
 Nuts : steel , Zinc(Cr3+)/Nickel
 Corrosion resistance : 24 hours .

NOTE: RoHS INFORMATIONS

- The "LF" products meet European union Directives and other country regulations as described in GS-22-008.
- Packaging spec: see GS-14-920

Core range		
PART NUMBER	863001060LF	PACKAGING: In kit



Copyright FCI.

European Views

www.fciconnect.com			surface ISO 1302 ✓	tolerance std ISO 406 ISO 1101	projection mm
TOLERANCES UNLESS OTHERWISE SPECIFIED					
Dr	ABHILASH	2009-08-07	ANGULAR	0.X	±0.1
Eng	ABHILASH	2009-08-07	LINEAR	0.XX	±0.1
Chr	ABHILASH	2009-08-07	0.XX ±2	0.XXX	±0.1
Appr	SUDHIR	2009-08-07	Product family	D-SUB	Spec ref -
title FEMALE SCREW LOCK D SUB ACCESSORIES			dwg no C-DSUB-0181		Rev. A
catalog no			CUSTOMER sheet 1 of 1		

rev	ecn no	dr	date
A	109-0156	AMR	2009-07-08
-	-	-	-
-	-	-	-
-	-	-	-
-	-	-	-
-	-	-	-