



Chipsmall Limited consists of a professional team with an average of over 10 year of expertise in the distribution of electronic components. Based in Hongkong, we have already established firm and mutual-benefit business relationships with customers from,Europe,America and south Asia,supplying obsolete and hard-to-find components to meet their specific needs.

With the principle of “Quality Parts,Customers Priority,Honest Operation,and Considerate Service”,our business mainly focus on the distribution of electronic components. Line cards we deal with include Microchip,ALPS,ROHM,Xilinx,Pulse,ON,Everlight and Freescale. Main products comprise IC,Modules,Potentiometer,IC Socket,Relay,Connector.Our parts cover such applications as commercial,industrial, and automotives areas.

We are looking forward to setting up business relationship with you and hope to provide you with the best service and solution. Let us make a better world for our industry!



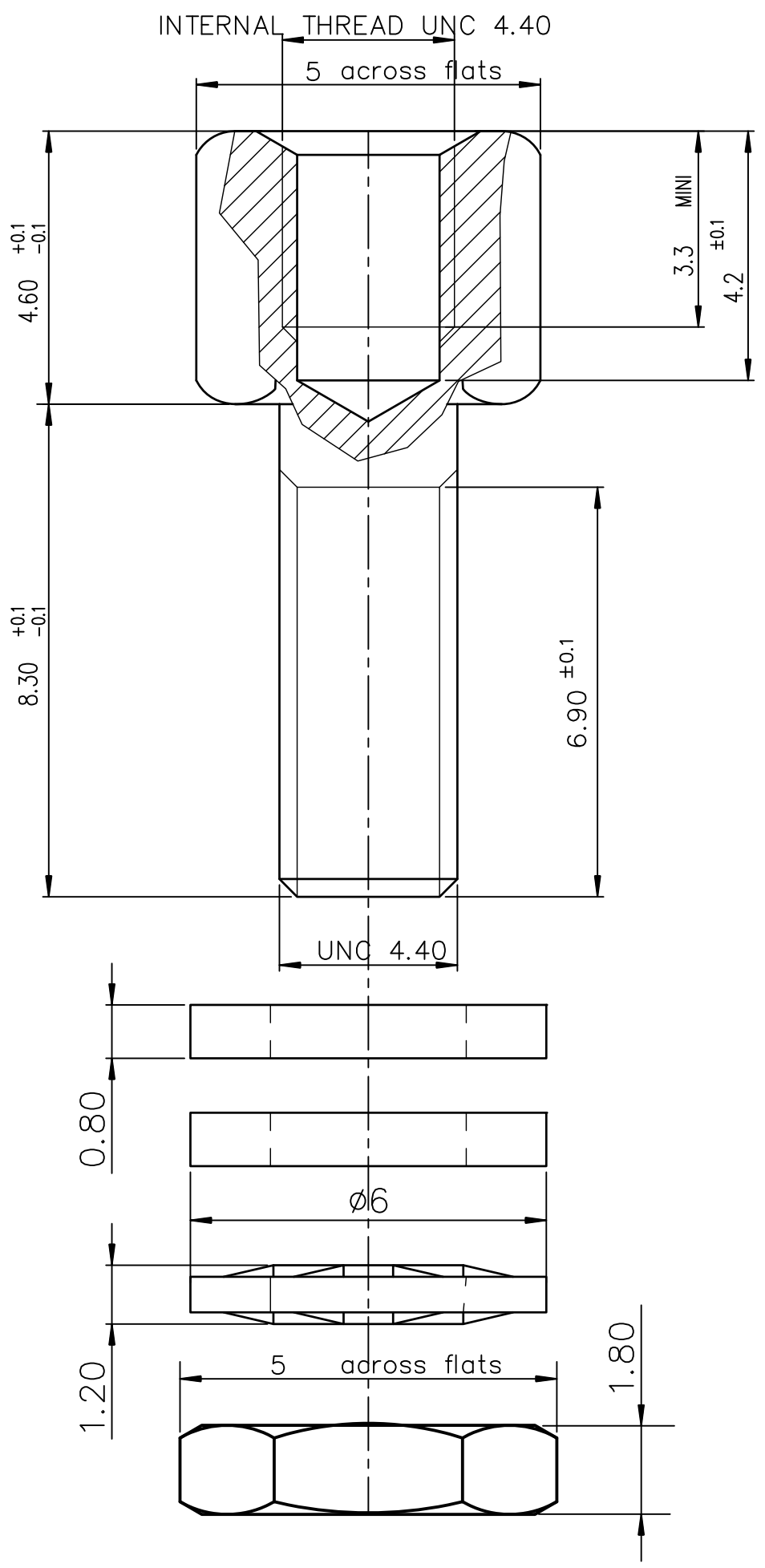
Contact us

Tel: +86-755-8981 8866 Fax: +86-755-8427 6832

Email & Skype: info@chipsmall.com Web: www.chipsmall.com

Address: A1208, Overseas Decoration Building, #122 Zhenhua RD., Futian, Shenzhen, China





TECHNICAL CHARACTERISTICS :

Female screw locks: brass, tin
Compensating washer: steel , tin
Nuts : steel , tin
Corrosion resistance : 24 hours .

NOTE: RoHS INFORMATIONS

- The "LF" products meet European union Directives and other country regulations as described in GS-22-008.
- Plating Sn (pure bright) over copper
- Packaging spec: see GS-14-920

Core range	
PART NUMBER	863001060TLF PACKAGING: per 100 pieces



Copyright FCI.

European Views

www.fciconnect.com			surface ISO 1302 <input checked="" type="checkbox"/>	tolerance std ISO 406 ISO 1101	projection 	mm
TOLERANCES UNLESS OTHERWISE SPECIFIED						
Dr	JOUBERT	1996/01/28	ANGULAR	LINEAR	0.X	± 0.1
Eng	JOUBERT	1996/01/28			0.XX	± 0.1
Chr	ABHILASH	2011/01/25	0.XX	± 2	0.XXX	± 0.1
Appr	SUDHIR	2011/01/25	Product family		D-SUB	Spec ref -
FCI			title		FEMALE SCREW LOCK	
			D SUB ACCESSORIES		dwg no C01-8655-0697-1	
catalog no			-		Rev. J	
			CUSTOMER		sheet 1 of 2	

rev	ecn no	dr	date
C	-	SBA	2003/04/15
D	LS05-0026	LMA	2005/02/09
E	LS06-0097	LGO	2006/07/28
F	LS08-0192	MPE	2008/09/12
G	LS09-0006	PCR	2009/01/08
H	LS09-0063	PCR	2009/03/25
J	I11-0022	AMR	2011/01/25



Copyright FCI.

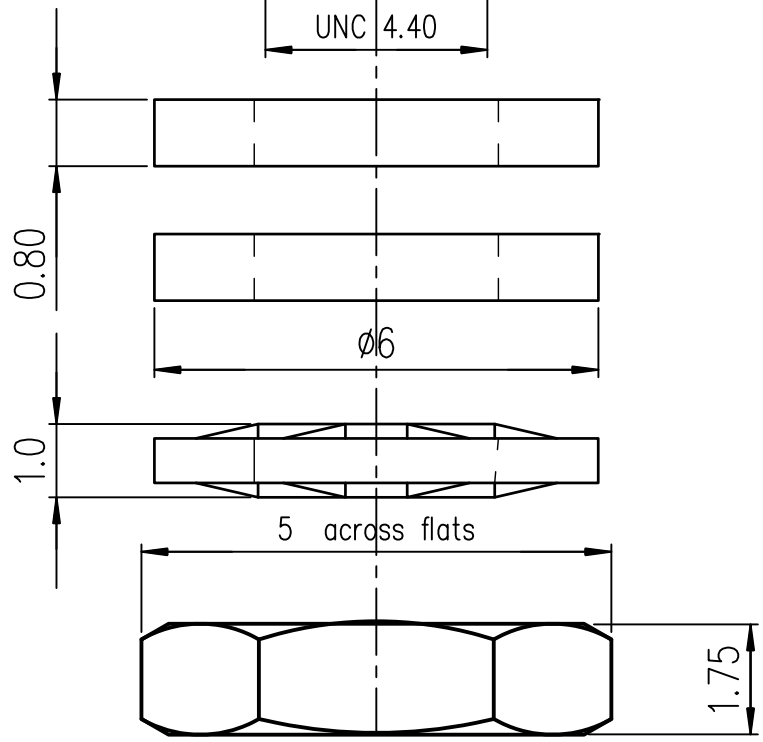
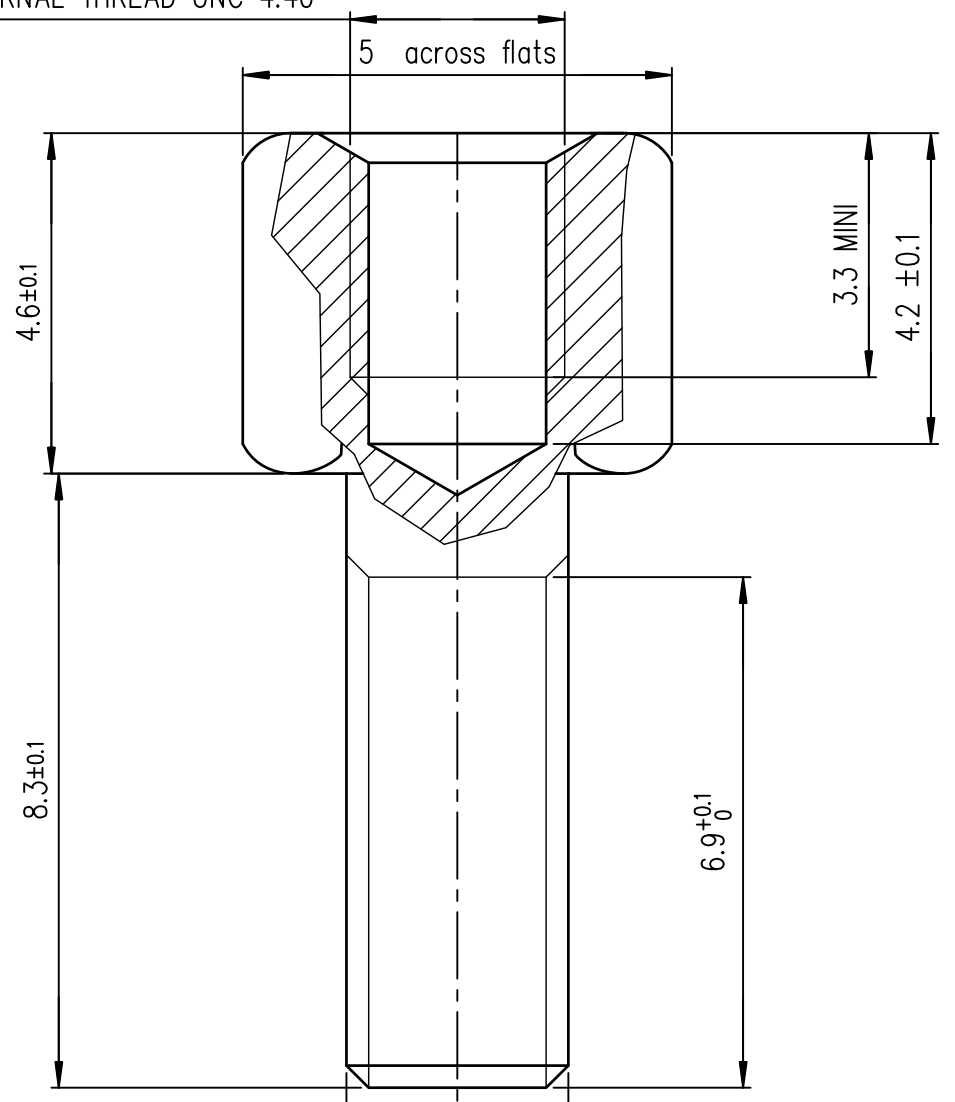
D

C

B

A

INTERNAL THREAD UNC 4.40



TECHNICAL CHARACTERISTICS :

- Female screw locks: brass, tin
- Compensating washer: steel , tin
- Nuts : steel , tin
- Corrosion resistance : 24 hours .

NOTE: RoHS INFORMATIONS

- The "LF" products meet European union Directives and other country regulations as described in GS-22-008.
- Plating Sn (pure bright) over copper
- Packaging spec: see GS-14-920

Core range

LEAD FREE NUMBER 86552029TLF PACKAGING: per 1000 pieces

European Views

rev	ecn no	dr	date
C	-	SBA	2003/04/15
D	LS05-0026	LMA	2005/02/09
E	LS06-0097	LGO	2006/07/28
F	LS09-0006	PCR	2009/01/08
G	LS09-0063	PCR	2009/03/25
H	I11-0022	AMR	2011/01/25
-	-	-	-

www.fciconnect.com		surface ISO 1302 ✓	tolerance std ISO 406 ISO 1101	projection mm
TOLERANCES UNLESS OTHERWISE SPECIFIED				
Dr	JOUBERT	1996/01/26	ANGULAR	0.X ±0.1
Eng	JOUBERT	1996/01/26	LINEAR	0.XX ±0.1
Chr	ABHILASH	2011/01/25	0.XX ±2	0.XXX ±0.1
Appr	SUDHIR	2011/01/25	Product family	D-SUB
size A3				Scale 10
ECN I11-0022				Spec ref -
title FEMALE SCREW LOCK D SUB ACCESSORIES		dwg no C01-8655-0697-2		Rev. H
catalog no		CUSTOMER sheet 2 of 2		