



Chipsmall Limited consists of a professional team with an average of over 10 year of expertise in the distribution of electronic components. Based in Hongkong, we have already established firm and mutual-benefit business relationships with customers from,Europe,America and south Asia,supplying obsolete and hard-to-find components to meet their specific needs.

With the principle of “Quality Parts,Customers Priority,Honest Operation,and Considerate Service”,our business mainly focus on the distribution of electronic components. Line cards we deal with include Microchip,ALPS,ROHM,Xilinx,Pulse,ON,Everlight and Freescale. Main products comprise IC,Modules,Potentiometer,IC Socket,Relay,Connector.Our parts cover such applications as commercial,industrial, and automotives areas.

We are looking forward to setting up business relationship with you and hope to provide you with the best service and solution. Let us make a better world for our industry!



Contact us

Tel: +86-755-8981 8866 Fax: +86-755-8427 6832

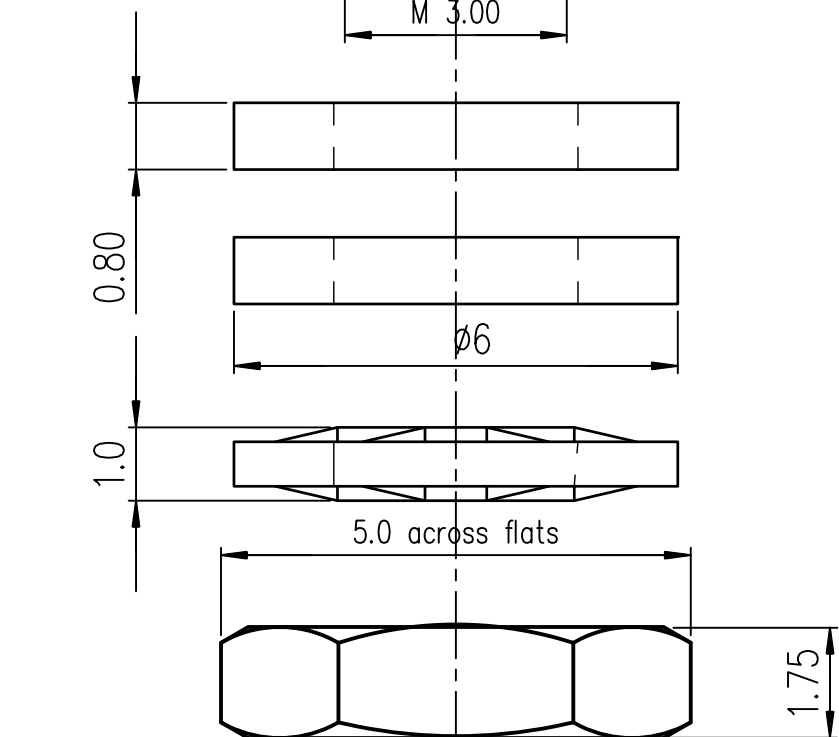
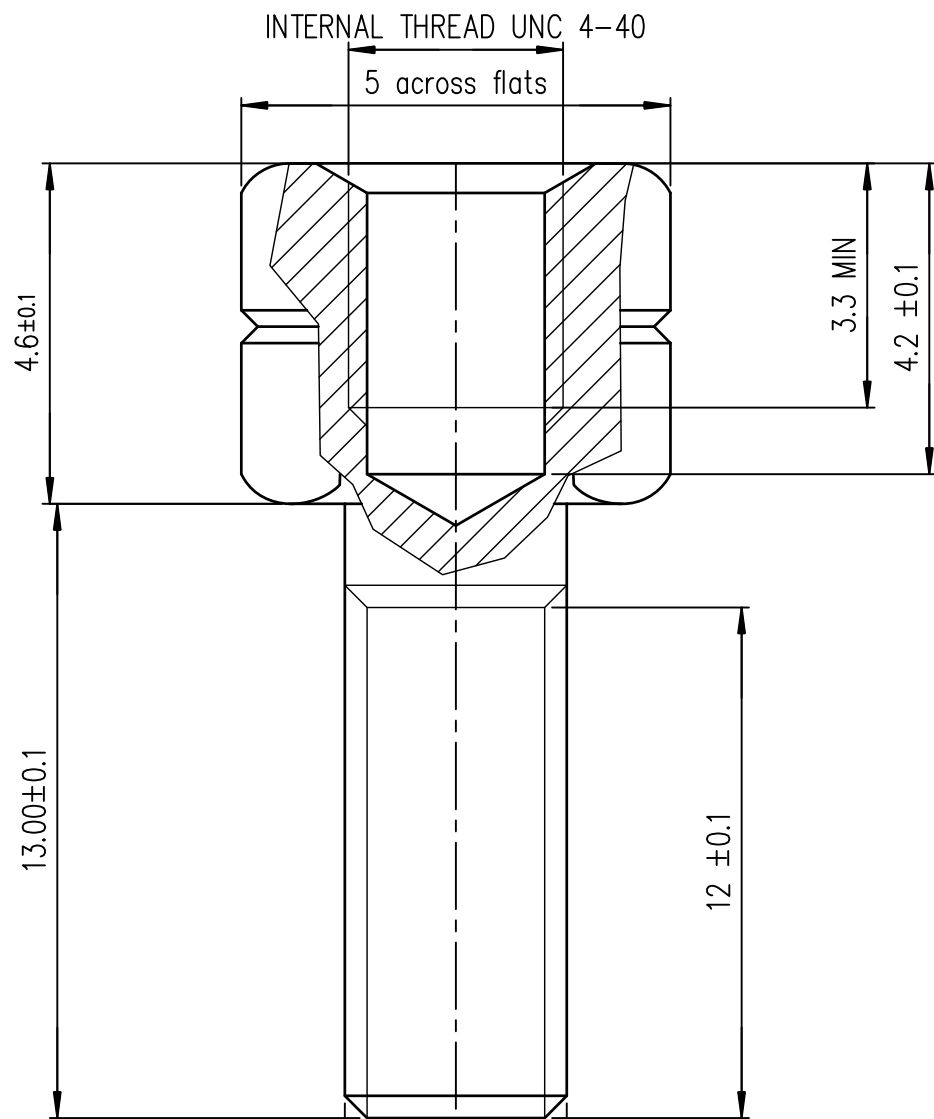
Email & Skype: info@chipsmall.com Web: www.chipsmall.com

Address: A1208, Overseas Decoration Building, #122 Zhenhua RD., Futian, Shenzhen, China





Copyright FCI.



TECHNICAL CHARACTERISTICS :

- Female screw locks: brass, tin plated .
- Compensating washer: steel , tin plated .
- Nuts : steel , tin plated .
- Locking washer: steel , tin plated .

Packaging : per 100 pieces .

- a plastic bag=
- a bag of 100 screws
- a bag of 100 nuts
- a bag of 100 locking washers
- a bag of 200 compensating washers

Part number	863001061TLF
-------------	--------------

NOTE:RoHS INFORMATIONS

- The "LF" products meet European union Directives and other country regulations as described in GS-22-008.
- Plating Sn (pure bright) over copper

European Views

rev	ecn no	dr	date
C	LS05-0026	MPE	2005/06/20
D	LS06-0208	LGO	2006/12/12
E	LS08-0048	MPE	2008/02/0048
F	LS09-0006	PCR	2009/01/08
G	I09-0240	AMR	2009/10/28
H	I11-0022	AMR	2011/01/25
-	-	-	-

www.fciconnect.com		surface ISO 1302 ✓	tolerance std ISO 406 ISO 1101	projection mm
		TOLERANCES UNLESS OTHERWISE SPECIFIED		size A3
Dr	MASSON	2000/08/01	ANGULAR	0.X ±0.1
Eng	P LEGARE	2005/02/16	LINEAR	0.XX ±0.1
Chr	ABHILASH M R	2009/10/27	0.XX ±2*	0.XXX ±0.1
Appr	SUDHIR VARMA	2009/10/27	Product family	D-SUB
				ECN I11-0022
				Spec ref -
title FEMALE SCREW LOCKS		dwg no C01-8655-1541		Rev. H
catalog no		CUSTOMER		sheet 1 of 1