



Chipsmall Limited consists of a professional team with an average of over 10 year of expertise in the distribution of electronic components. Based in Hongkong, we have already established firm and mutual-benefit business relationships with customers from,Europe,America and south Asia,supplying obsolete and hard-to-find components to meet their specific needs.

With the principle of “Quality Parts,Customers Priority,Honest Operation,and Considerate Service”,our business mainly focus on the distribution of electronic components. Line cards we deal with include Microchip,ALPS,ROHM,Xilinx,Pulse,ON,Everlight and Freescale. Main products comprise IC,Modules,Potentiometer,IC Socket,Relay,Connector.Our parts cover such applications as commercial,industrial, and automotives areas.

We are looking forward to setting up business relationship with you and hope to provide you with the best service and solution. Let us make a better world for our industry!



Contact us

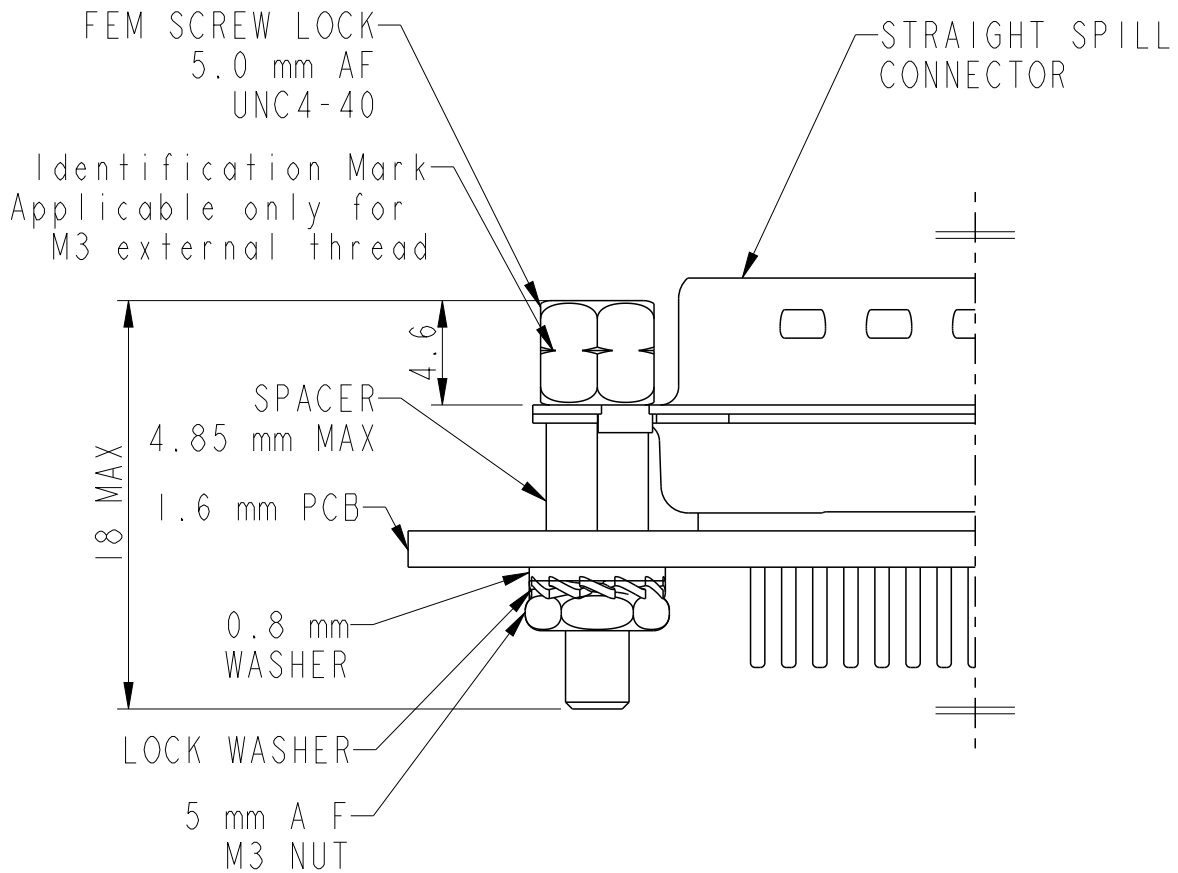
Tel: +86-755-8981 8866 Fax: +86-755-8427 6832

Email & Skype: info@chipsmall.com Web: www.chipsmall.com

Address: A1208, Overseas Decoration Building, #122 Zhenhua RD., Futian, Shenzhen, China



EXTENDED FEMALE SCREW AND SPACER FOR STRAIGHT SPILL MOUNTING



Supercedes C-DSUB-008, C-DSUB-0021 and C4-1433

rev	ecn no	dr	date
A	110-0057	AMR	2010-02-22
B	111-0001	AMR	2011-01-03
C	111-0033	AMR	2011-02-14
D	111-0076	AMR	2011-04-27
E	ELX-1-15893	MP	2013-09-20
-	-	-	-
-	-	-	-

Part Numbers:

863001062
863001062LF

Copyright FCI.

www.fciconnect.com

surface - tolerance std
ISO 1302 ISO 406 ISO 1101
TOLERANCES UNLESS OTHERWISE SPECIFIED

projection

size A4

mm

Scale 3:1

Dr	ABHILASH	2010-02-22	ANGULAR	LINEAR	0.X	±0.1	size	A4	ECN	ELX-1-15893
Eng	MITHUN PAUL	2013-09-20			0.XX	±0.1				
Chr	MITHUN PAUL	2013-09-20	0°	±°	0.XXX	±0.05	Spec ref	-		
Appr	BIJU K PAUL	2013-09-20	Product family			D-SUB				



title D-SUB ASSEMBLY OPTIONS

dwg no

C-DSUB-0184

Rev.

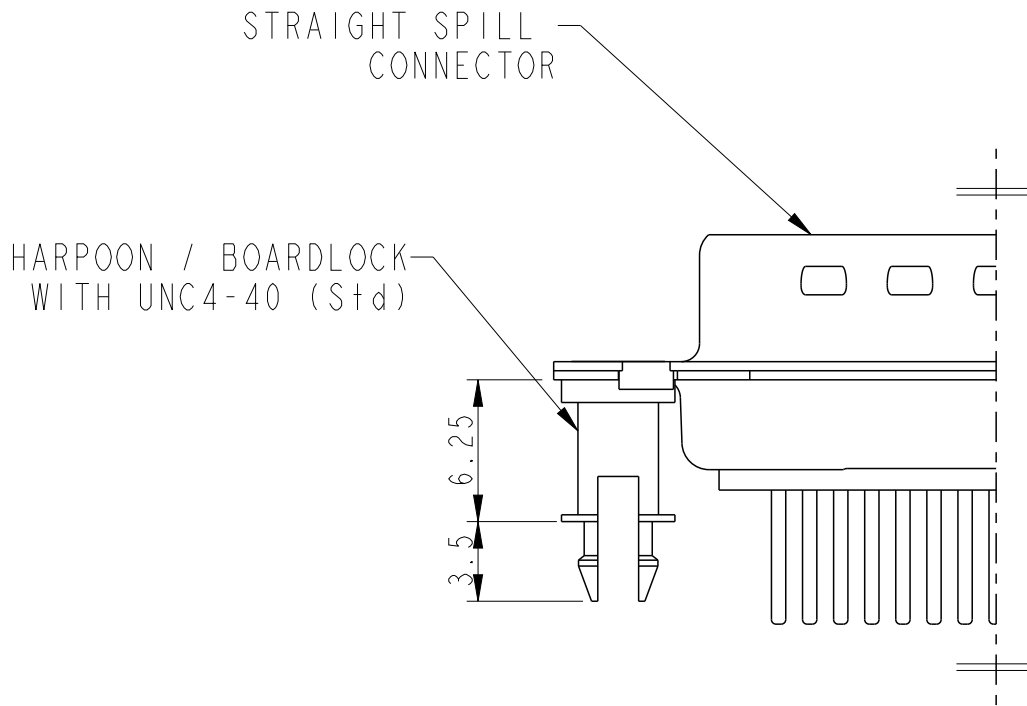
E

catalog no

CUSTOMER

sheet 1 of 2

HARPOON / BOARDLOCK RIVETED TO SHELL



SUFFIX "G"
 APPLICABLE ONLY FOR STRAIGHT SPILL CONNECTOR

Supercedes C-DSUB-008, C-DSUB-0021 and C4-1433



Copyright FCI.

www.fciconnect.com			surface - ✓ ISO 1302		tolerance std ISO 406 ISO 1101		projection 		mm ↔		
			TOLERANCES UNLESS OTHERWISE SPECIFIED								
Dr	ABHILASH	2010-02-22	ANGULAR	LINEAR	0.X	±0.1	size	A4	Scale		
Eng	MITHUN PAUL	2013-09-20			0.XX	±0.1			3:1		
Chr	MITHUN PAUL	2013-09-20	0°	±°	0.XXX	±0.05	ECN	ELX-1-15893			
Appr	BIJU K PAUL	2013-09-20	Product family			D-SUB	Spec ref		-		
		title D-SUB ASSEMBLY OPTIONS				dwg no C-DSUB-0184			Rev. E		
catalog no		-				CUSTOMER			sheet 2 of 2		