



Chipsmall Limited consists of a professional team with an average of over 10 year of expertise in the distribution of electronic components. Based in Hongkong, we have already established firm and mutual-benefit business relationships with customers from,Europe,America and south Asia,supplying obsolete and hard-to-find components to meet their specific needs.

With the principle of "Quality Parts,Customers Priority,Honest Operation,and Considerate Service",our business mainly focus on the distribution of electronic components. Line cards we deal with include Microchip,ALPS,ROHM,Xilinx,Pulse,ON,Everlight and Freescale. Main products comprise IC,Modules,Potentiometer,IC Socket,Relay,Connector.Our parts cover such applications as commercial,industrial, and automotives areas.

We are looking forward to setting up business relationship with you and hope to provide you with the best service and solution. Let us make a better world for our industry!



## Contact us

Tel: +86-755-8981 8866 Fax: +86-755-8427 6832

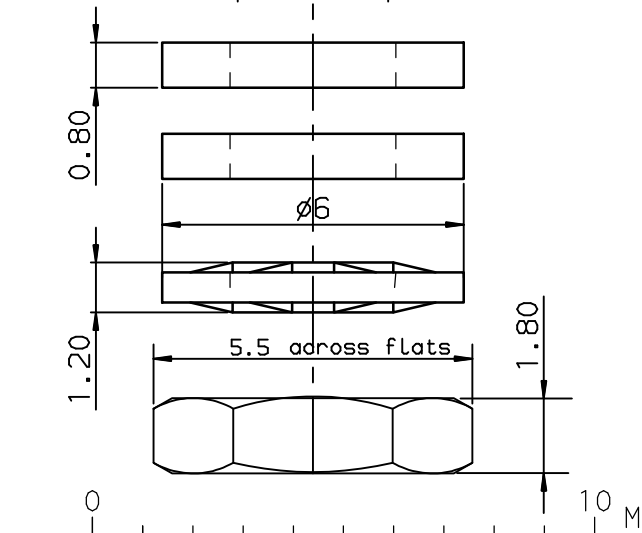
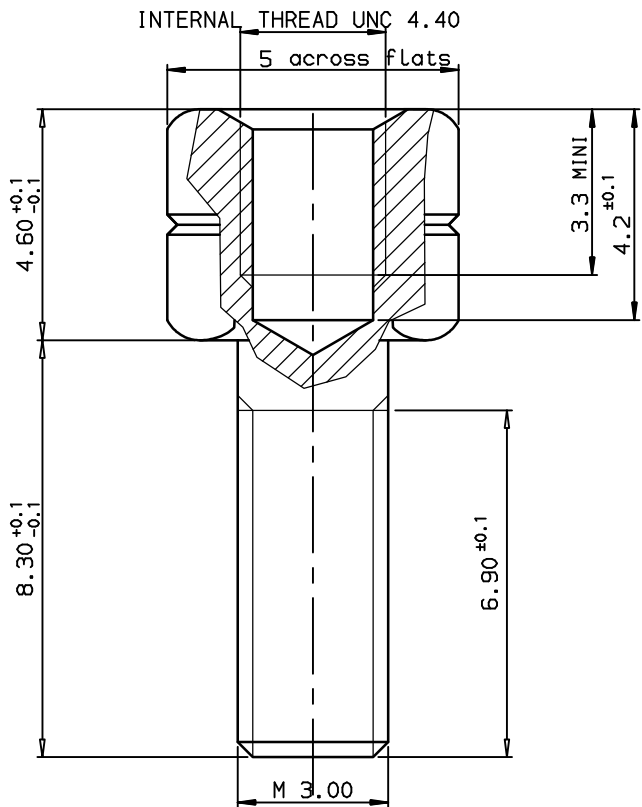
Email & Skype: info@chipsmall.com Web: www.chipsmall.com

Address: A1208, Overseas Decoration Building, #122 Zhenhua RD., Futian, Shenzhen, China





Copyright FCI.



TECHNICAL CHARACTERISTICS :

- Female screw locks: brass, cadmium plated .
- Compensating washer: steel, cadmium plated .
- Nuts : steel, cadmium plated .
- Packaging : per 100 pieces .
- Corrosion resistance : 50 hour exposure to salt spray .

Part number	863001LF
-------------	----------

**NOTE1:RoHS INFORMATION**

- The "LF" product meets European union Directives and other country regulations as described in GS-22-008.
- The product is not intended to be exposed to a manufacturing solder process.
- Plating: Zinc Cr3+, white color.
- Packaging spec: see GS-14-920.

European Views

www.fciconnect.com				surface ISO 1302 ✓	tolerance std ISO 406 ISO 1101	projection mm	mm	
TOLERANCES UNLESS OTHERWISE SPECIFIED				ANGULAR	LINEAR	size A3	Scale 10	
Dr	GOISNARD	2006/01/12	0.x	±0.1	ECN	LS06-0095		
Eng	PESSON	2006/01/12	0.xx	±0.1	Spec ref	-		
Chr	LEGARE	2006/01/12	0.xxx	±0.1	Product family	D-SUB		
Appr	LEGARE	2006/01/12	Product family			D-SUB		
FCI				title FEMALE SCREW LOCKS		chg no C01-8655-1674		Rev. B
-				catalog no -		CUSTOMER sheet 1 of 1		

REV F - 2006-04-17