



Chipsmall Limited consists of a professional team with an average of over 10 year of expertise in the distribution of electronic components. Based in Hongkong, we have already established firm and mutual-benefit business relationships with customers from,Europe,America and south Asia,supplying obsolete and hard-to-find components to meet their specific needs.

With the principle of "Quality Parts,Customers Priority,Honest Operation,and Considerate Service",our business mainly focus on the distribution of electronic components. Line cards we deal with include Microchip,ALPS,ROHM,Xilinx,Pulse,ON,Everlight and Freescale. Main products comprise IC,Modules,Potentiometer,IC Socket,Relay,Connector.Our parts cover such applications as commercial,industrial, and automotives areas.

We are looking forward to setting up business relationship with you and hope to provide you with the best service and solution. Let us make a better world for our industry!



## Contact us

Tel: +86-755-8981 8866 Fax: +86-755-8427 6832

Email & Skype: info@chipsmall.com Web: www.chipsmall.com

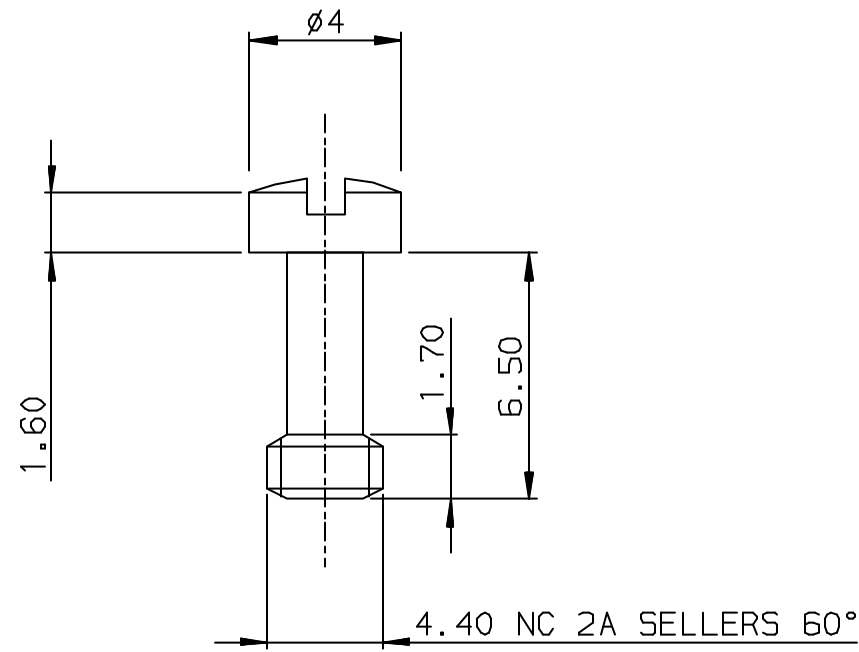
Address: A1208, Overseas Decoration Building, #122 Zhenhua RD., Futian, Shenzhen, China



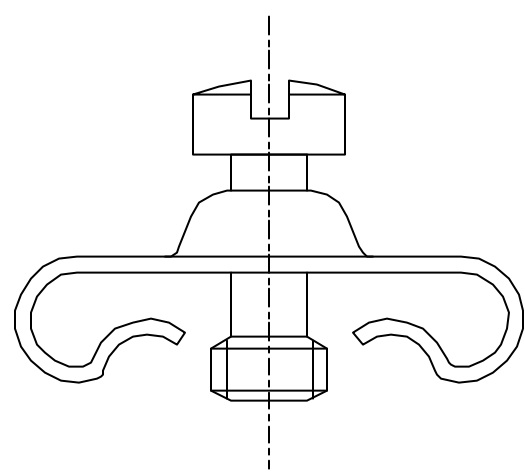
Tous droits strictement réservés. Reproduction ou communication à des tiers interdite sans que la forme que ce soit sans autorisation écrite du propriétaire. Propriété de c FCI. Droits de reproduction FCI.

**FCI**

All rights strictly reserved. Reproduction or issue to third parties in any form whatever is not permitted without written authority from the proprietor. Property of FCI. Copyright FCI.



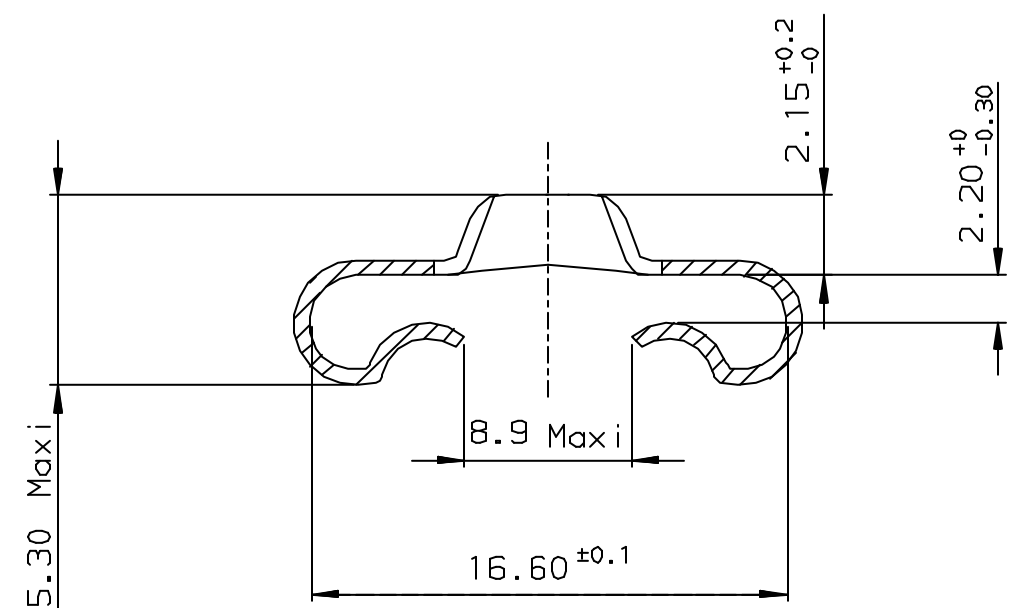
VUE ASSEMBLE



Part number **863002ALF**

NOTES

- Pieces assembly
- Packaging : per 100 piece
- Material : steel
- Thread : UNC 4.40



NOTE1. RoHS INFORMATIONS

- The "LF" product meets European union Directives and other country regulations as described in GS-22-008.
- The product is not intended to be exposed to a manufacturing solder process.
- Plating: Zinc Cr3+, white color.
- Packaging spec: see GS-14-920.

European view

Ltr	ecn no	dr	date
A	LS05-0123	LGO	12/01/06
-	-	-	-
-	-	-	-
-	-	-	-
-	-	-	-
-	-	-	-

<b>FCI</b> www.fciconnect.com		ISO 1302	tolerance ISO 406 ISO 1101	projection 	mm 
Dr	GOISNARD	12/01/06	Product family	D-SUB 571	size A3
Eng	PESSON	12/01/06	Spec ref	-	Scale 5
Chr	LEGARE	12/01/06	Material	SEE NOTES	ECN LS05-0123
Appr	LEGARE	12/01/06			
title			ETRIER DE FIXATION POUR BOITIER ET CAPOT METAL 50pts (P et S)		Rev. A
catalog no			- CUSTOMER COPY		sheet 1 of 1