



Chipsmall Limited consists of a professional team with an average of over 10 year of expertise in the distribution of electronic components. Based in Hongkong, we have already established firm and mutual-benefit business relationships with customers from,Europe,America and south Asia,supplying obsolete and hard-to-find components to meet their specific needs.

With the principle of “Quality Parts,Customers Priority,Honest Operation,and Considerate Service”,our business mainly focus on the distribution of electronic components. Line cards we deal with include Microchip,ALPS,ROHM,Xilinx,Pulse,ON,Everlight and Freescale. Main products comprise IC,Modules,Potentiometer,IC Socket,Relay,Connector.Our parts cover such applications as commercial,industrial, and automotives areas.

We are looking forward to setting up business relationship with you and hope to provide you with the best service and solution. Let us make a better world for our industry!



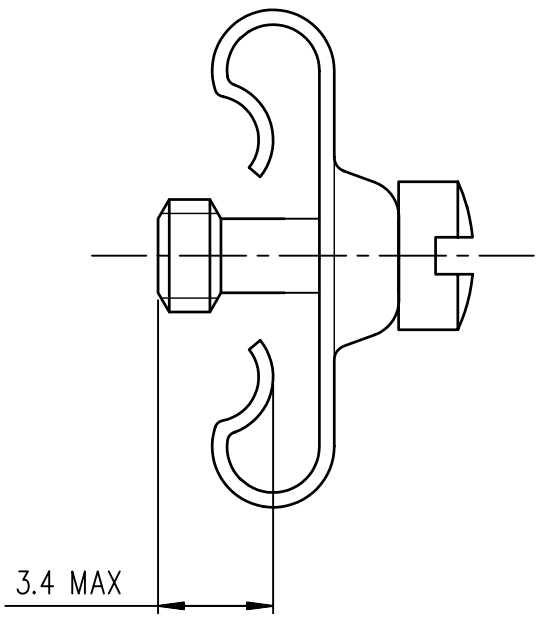
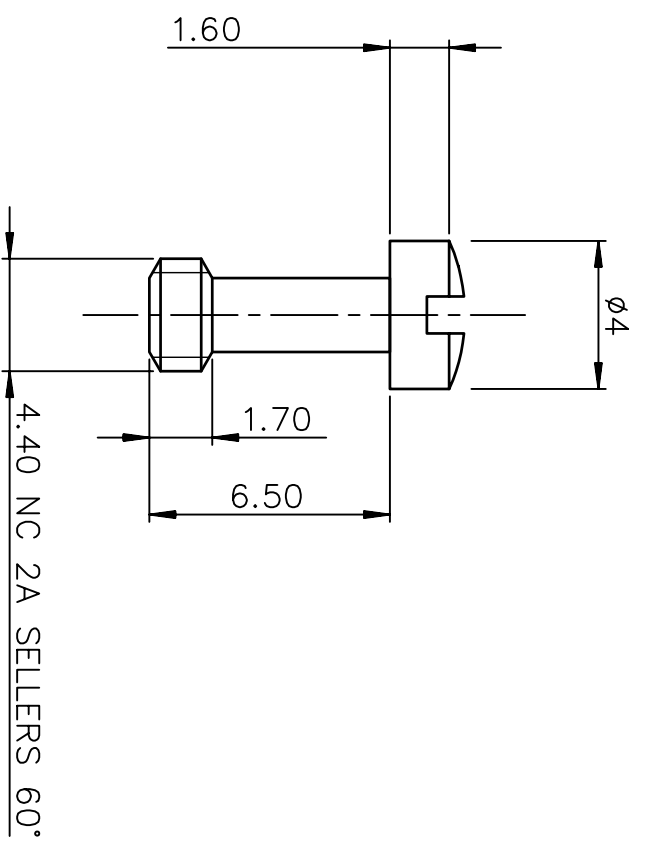
Contact us

Tel: +86-755-8981 8866 Fax: +86-755-8427 6832

Email & Skype: info@chipsmall.com Web: www.chipsmall.com

Address: A1208, Overseas Decoration Building, #122 Zhenhua RD., Futian, Shenzhen, China





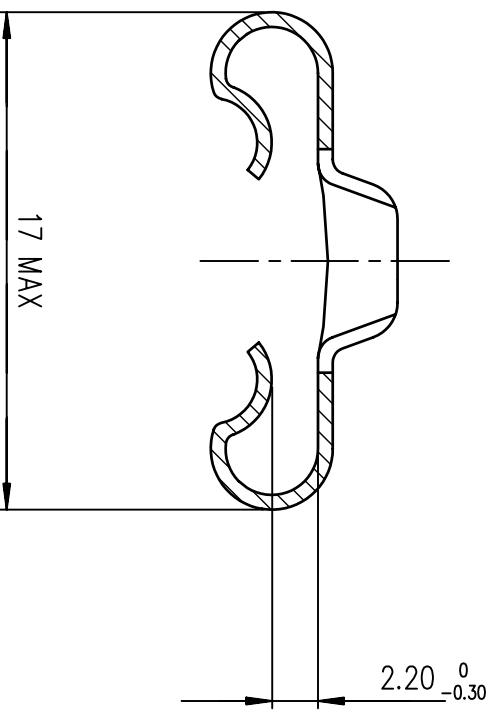
ASSEMBLY VIEW

NOTES

Pieces assembly
 Packaging : per 100 piece
 Material : steel
 Plating : tin plating
 Thread : UNC 4.40

NOTE: RoHS INFORMATION

- The "LF" product meets European union Directives and other country regulations as described in GS-22-008.
- The product is not intended to be exposed to a manufacturing solder process.
- Plating: Sn pure bright over Copper.
- Packaging spec: see GS-14-920.



LEAD-FREE PART-NUMBER

Part number **863002ATLF**

European Views

www.fciconnect.com		surface	ISO 1302	tolerance std	ISO 406 ISO 1101	projection	mm
Dr GOISNARD		ANGULAR	✓	TOLERANCES UNLESS OTHERWISE SPECIFIED		±0.1	Scale 5:1
Eng PESSON		LINEAR	0.X	0.XX		±0.1	ECN ELX-H-011686
Chr ABHILASH		0.XX ±2	0.XXX	±0.1		ECN	ELX-H-011686
Appr SUDHIR		Product family	D-SUB		Spec ref -		
Dr GOISNARD		2006/06/23	2006/06/23	ANGULAR		±0.1	
Eng PESSON		2006/06/23	2006/06/23	LINEAR		±0.1	
Chr ABHILASH		2011/01/25	2011/01/25	0.XX ±2		±0.1	
Appr SUDHIR		2011/01/25	2011/01/25	Product family			

FCI MALE SCREW LOCKS
 FOR CONNECTOR 50 PTS
 C01-8655-1675
 Rev. D

rev	ecn no	dr	date
A	LS06-0101	LGO	2006/06/23
B	111-0022	AMR	2011/01/25
C	ELX-H-011686	PK	2012/05/09
D	ELX-H-011686	PK	2012/05/21