



Chipsmall Limited consists of a professional team with an average of over 10 year of expertise in the distribution of electronic components. Based in Hongkong, we have already established firm and mutual-benefit business relationships with customers from,Europe,America and south Asia,supplying obsolete and hard-to-find components to meet their specific needs.

With the principle of “Quality Parts,Customers Priority,Honest Operation,and Considerate Service”,our business mainly focus on the distribution of electronic components. Line cards we deal with include Microchip,ALPS,ROHM,Xilinx,Pulse,ON,Everlight and Freescale. Main products comprise IC,Modules,Potentiometer,IC Socket,Relay,Connector.Our parts cover such applications as commercial,industrial, and automotives areas.

We are looking forward to setting up business relationship with you and hope to provide you with the best service and solution. Let us make a better world for our industry!



Contact us

Tel: +86-755-8981 8866 Fax: +86-755-8427 6832

Email & Skype: info@chipsmall.com Web: www.chipsmall.com

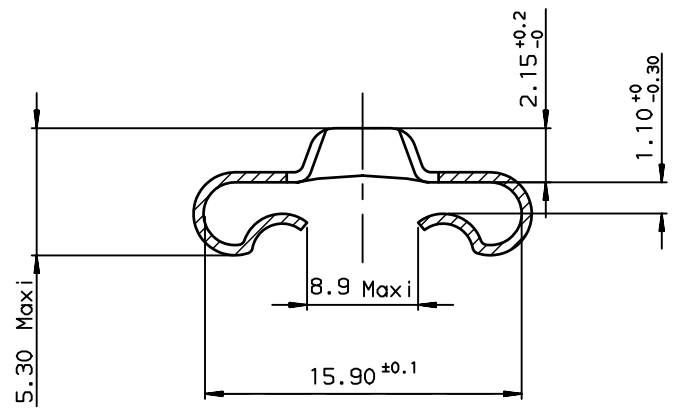
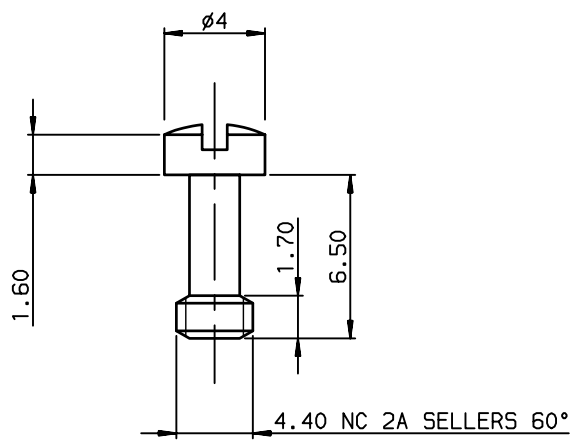
Address: A1208, Overseas Decoration Building, #122 Zhenhua RD., Futian, Shenzhen, China



Copyright FCJ

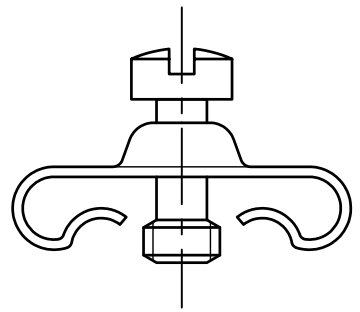
1 2 3 4

A
B
C
D



NOTES
 Pieces assembly
 Packaging : per 100 piece
 Material : steel
 Thread : UNC 4.40

VUE ASSEMBLY



Part number 863003ALF

NOTE1:RoHS INFORMATIONS
 - The "LF" product meets European union Directives and other country regulations as described in GS-22-008.
 - The product is not intended to be exposed to a manufacturing solder process.
 - Plating: Zinc Cr3+, white color.
 - Packaging spec: see GS-14-920.

European Views

www.fciconnect.com				surface ISO 1302 <input checked="" type="checkbox"/>	tolerance std ISO 406 ISO 1101	projection 	mm
TOLERANCES UNLESS OTHERWISE SPECIFIED							
Dr	GOISNARD	2006/01/12	ANGULAR	0.X	± 0.1	size A3	Scale 5
Eng	PESSON	2006/01/12	LINEAR	0.XX	± 0.1	ECN	LS06-0095
Chr	LEGARE	2006/01/12	0.XX' $\pm 2'$	0.XXX	± 0.1	Product family	D-SUB
Appr	LEGARE	2006/01/12	Product family		D-SUB	Spec ref	-
rev	ecn no	dr	date	Title		dwg no	Rev.
A	LS05-0123	L60	2006/01/12	ETRIER DE FIXATION POUR BOITIER		C01-8655-1646	B
B	LS06-0095	L60	2006/06/24	50 pts femelle (S)		CUSTOMER	sheet 1 of 1
-	-	-	-	catalog no	-		

REV F - 2006-04-17

1 2 3 4