



Chipsmall Limited consists of a professional team with an average of over 10 year of expertise in the distribution of electronic components. Based in Hongkong, we have already established firm and mutual-benefit business relationships with customers from,Europe,America and south Asia,supplying obsolete and hard-to-find components to meet their specific needs.

With the principle of “Quality Parts,Customers Priority,Honest Operation,and Considerate Service”,our business mainly focus on the distribution of electronic components. Line cards we deal with include Microchip,ALPS,ROHM,Xilinx,Pulse,ON,Everlight and Freescale. Main products comprise IC,Modules,Potentiometer,IC Socket,Relay,Connector.Our parts cover such applications as commercial,industrial, and automotives areas.

We are looking forward to setting up business relationship with you and hope to provide you with the best service and solution. Let us make a better world for our industry!



## Contact us

Tel: +86-755-8981 8866 Fax: +86-755-8427 6832

Email & Skype: info@chipsmall.com Web: www.chipsmall.com

Address: A1208, Overseas Decoration Building, #122 Zhenhua RD., Futian, Shenzhen, China



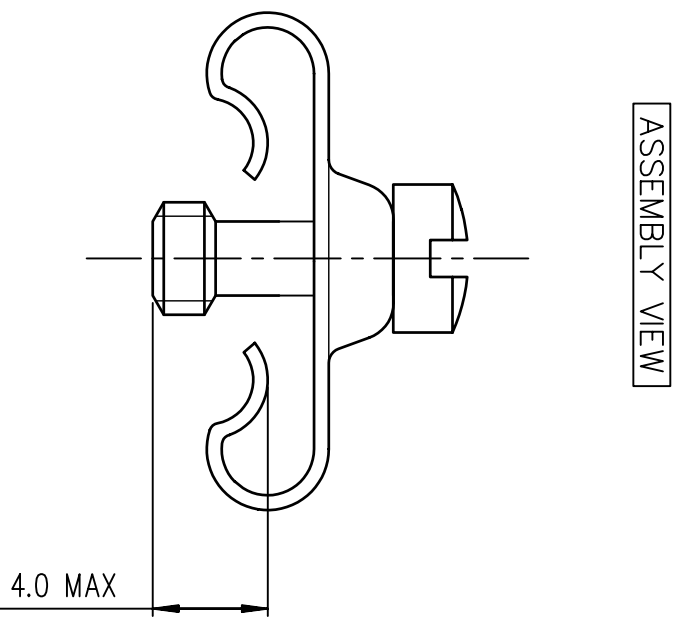
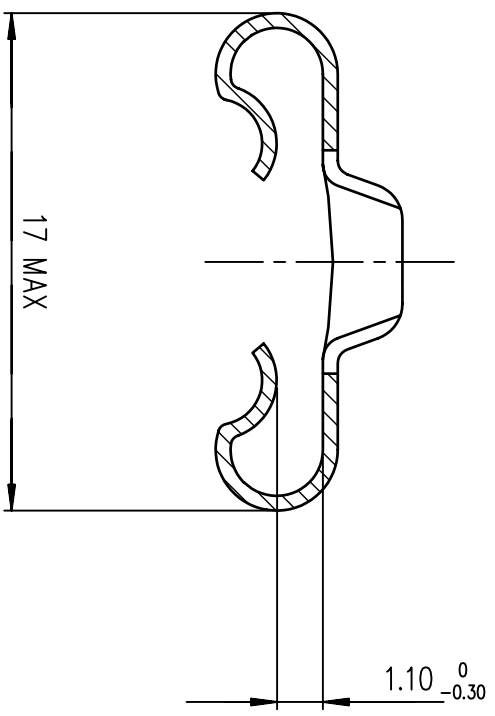
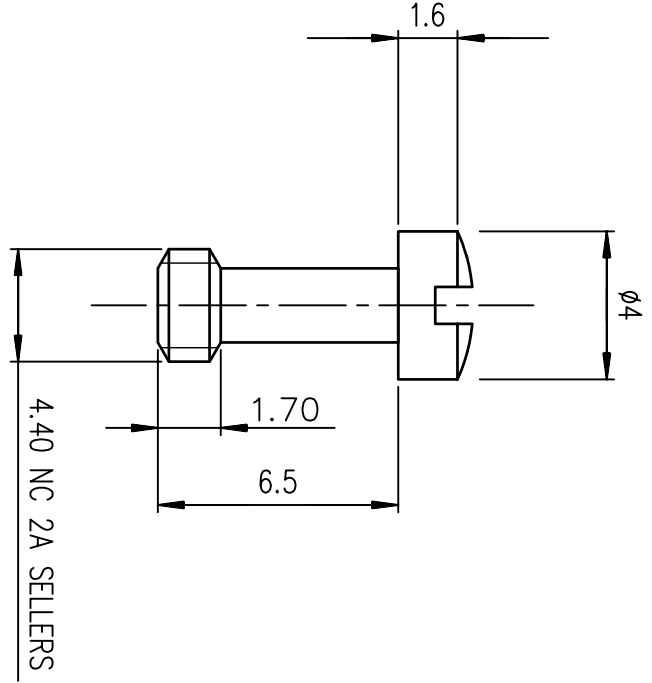
A

B

C

D

**NOTES**  
 Pieces assembly  
 Packaging : per 100 pieces  
 Material : steel  
 Plating : tin  
 Thread : UNC 4.40



**NOTE:RoHS INFORMATIONS**

- The "LF" products meet European union Directives and other country regulations as described in GS-22-008.
- Plating Sn (pure bright ) over copper
- Packaging spec: see GS-14-920

rev	ecn no	dr	date
H	EX-H-01663	PK	2012/05/09
J	EX-H-01686	PK	2012/05/21
C	LS06-0097	LGO	2006/07/28
D	LS09-0006	PCR	2009/01/08
E	109-0168	AMR	2009/08/14
F	111-0022	AMR	2011/01/25
G	111-0165	PK	2011/10/05

Part number **863003ATLF**

www.fciconnect.com		surface ISO 1302	tolerance std ISO 406 ISO 1101	projection	Scale
Dr BART	2004/02/26	ANGULAR	0.X	A3	5
Eng PESSON	2004/02/26	LINEAR	0.XX	ECN	ELX-H-0116886
Chr ABHILASH	2009/07/10	0.XX ± 2	0.XXX	Product family	
Appr SUDHIR	2009/07/10	Product family		D-SUB	Spec ref -

MALE SCREW LOCKS  
 SHELL 50 D SUB ACCESSORIES

Customer: C01-8655-1587