



Chipsmall Limited consists of a professional team with an average of over 10 year of expertise in the distribution of electronic components. Based in Hongkong, we have already established firm and mutual-benefit business relationships with customers from,Europe,America and south Asia,supplying obsolete and hard-to-find components to meet their specific needs.

With the principle of “Quality Parts,Customers Priority,Honest Operation,and Considerate Service”,our business mainly focus on the distribution of electronic components. Line cards we deal with include Microchip,ALPS,ROHM,Xilinx,Pulse,ON,Everlight and Freescale. Main products comprise IC,Modules,Potentiometer,IC Socket,Relay,Connector.Our parts cover such applications as commercial,industrial, and automotives areas.

We are looking forward to setting up business relationship with you and hope to provide you with the best service and solution. Let us make a better world for our industry!



Contact us

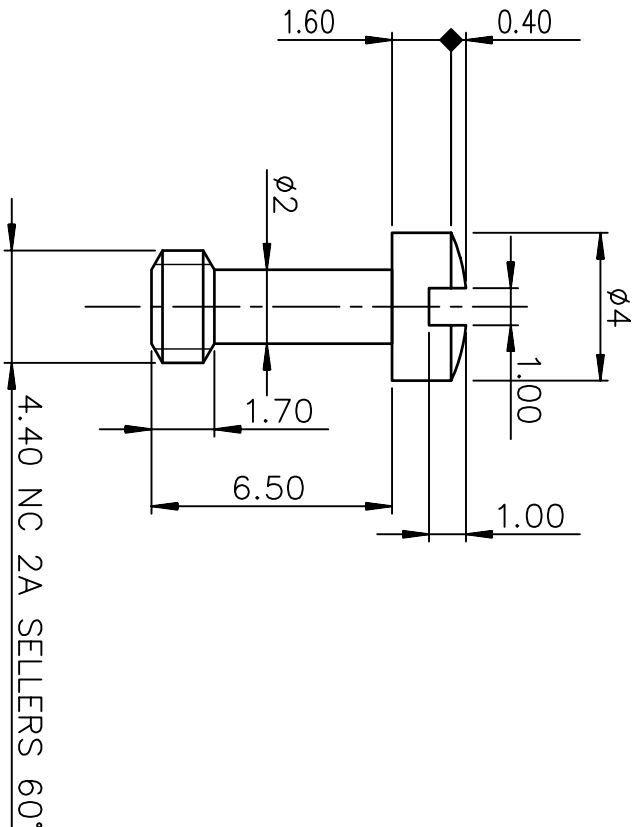
Tel: +86-755-8981 8866 Fax: +86-755-8427 6832

Email & Skype: info@chipsmall.com Web: www.chipsmall.com

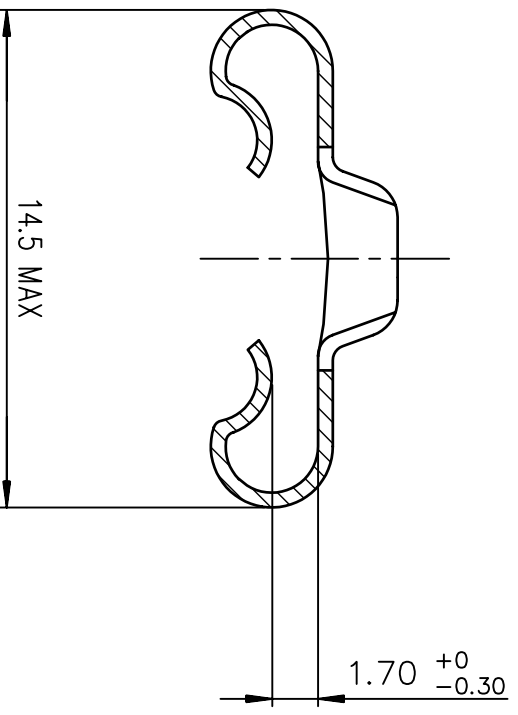
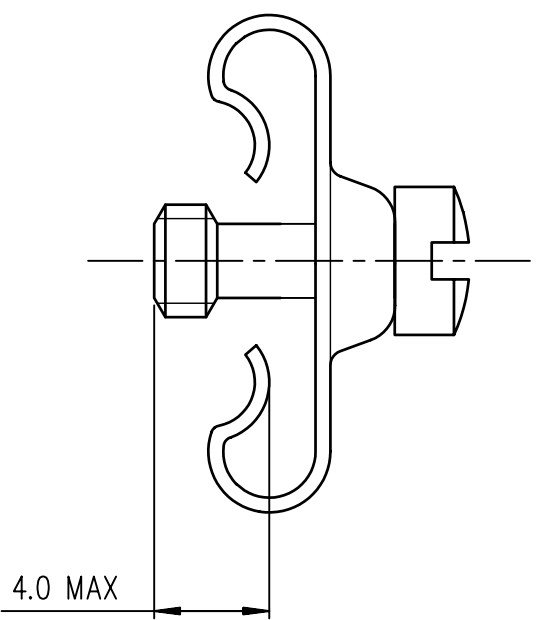
Address: A1208, Overseas Decoration Building, #122 Zhenhua RD., Futian, Shenzhen, China



NOTES
 Pieces assembly
 Packaging : per 100 piece
 Material : steel



ASSEMBLY VIEW



NOTE : ROHS INFORMATIONS

- The "LF" product meets European union Directives and other country regulations as described in GS-22-008.
- The product is not intended to be exposed to a manufacturing solder process.
- Plating: Sn pure bright over Copper.
- Packaging spec: see GS-14-920.

rev	ecn no	dr	date
A	LS05-0123	LGO	2005/12/28
B	LS06-0097	LGO	2006/07/28
C	LS09-0006	PCR	2009/01/08
D	ELX-H-01683	PK	2012/05/09
E	ELX-H-01686	PK	2012/05/21

LEAD-FREE PART-NUMBER
Part number 863004ATLF

www.fciconnect.com		surface	ISO 1302	tolerance std	ISO 406 ISO 1101	projection	mm
Dr	GOISNARD	ANGULAR	✓	TOLERANCES UNLESS OTHERWISE SPECIFIED		size	A3
Eng	PESSON	LINEAR	0.X	±0.1	Scale	5	
Chr	LEGARE	0.XX	0.XX	±0.1	ECN	ELX-H-011686	
Appr	LEGARE	±2	0.XXX	±0.1	Product family	D-SUB	Spec ref -
MALE SCREW LOCKS		Product family		D-SUB		Spec ref -	
D SUB ACCESSORIES		Product family		D-SUB		Spec ref -	
Rev.		C01-8655-1634		CUSTOMER		sheet 1 of 1	

European Views