



Chipsmall Limited consists of a professional team with an average of over 10 year of expertise in the distribution of electronic components. Based in Hongkong, we have already established firm and mutual-benefit business relationships with customers from,Europe,America and south Asia,supplying obsolete and hard-to-find components to meet their specific needs.

With the principle of “Quality Parts,Customers Priority,Honest Operation,and Considerate Service”,our business mainly focus on the distribution of electronic components. Line cards we deal with include Microchip,ALPS,ROHM,Xilinx,Pulse,ON,Everlight and Freescale. Main products comprise IC,Modules,Potentiometer,IC Socket,Relay,Connector.Our parts cover such applications as commercial,industrial, and automotives areas.

We are looking forward to setting up business relationship with you and hope to provide you with the best service and solution. Let us make a better world for our industry!



Contact us

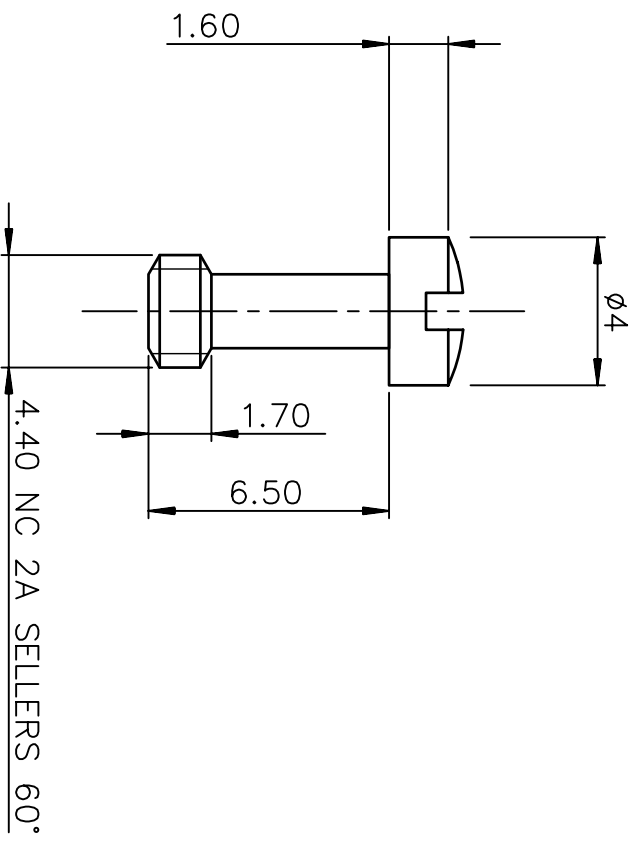
Tel: +86-755-8981 8866 Fax: +86-755-8427 6832

Email & Skype: info@chipsmall.com Web: www.chipsmall.com

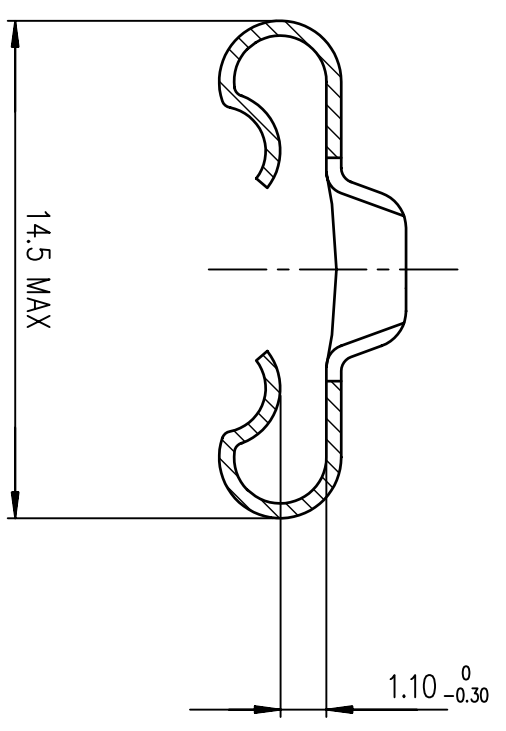
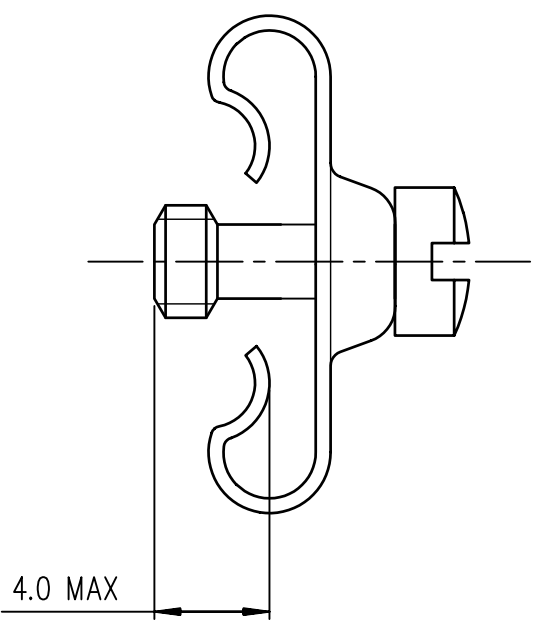
Address: A1208, Overseas Decoration Building, #122 Zhenhua RD., Futian, Shenzhen, China



NOTES
 Pieces assembly
 Packaging : per 100 piece
 Material : steel
 Plating : yellow chromate cadmium
 Thread : UNC 4.40



ASSEMBLY VIEW



Part Number
 863005A

European Views

rev	ecn no	dr	date
A	-	SJO	1998/03/27
B	LS06-0101	MPE	2006/06/27
C	LS06-0001	MPE	2007/01/02
D	LS09-0006	PCR	2009/01/08
E	I11-0022	AMR	2011/01/25
F	ELX-H-01686	PK	2012/05/09
G	ELX-H-01686	PK	2012/05/21

www.fciconnect.com		surface	ISO 1302	tolerance std	ISO 406 ISO 1101	projection	mm
Dr	JOUBERT	1998/03/27	ANGULAR	±0.1	size	A3	Scale
Eng	M.PESSON	1998/03/27	LINEAR	0.XX	ECN	ELX-H-011686	5
Chr	ABHILASH	2011/01/25	0.XX ±2	±0.1	Product family	D-SUB	Spec ref -
Appr	SUDHIR	2011/01/25	Product family				
FCI logo		MALE SCREW FOR HOUSINGS		Dwg no		C01-8655-0711	
catalog no		9 TO 25 PTS (P ET S)		CUSTOMER		sheet 1 of 1	
Rev.		G		Rev.		G	