



Chipsmall Limited consists of a professional team with an average of over 10 year of expertise in the distribution of electronic components. Based in Hongkong, we have already established firm and mutual-benefit business relationships with customers from,Europe,America and south Asia,supplying obsolete and hard-to-find components to meet their specific needs.

With the principle of “Quality Parts,Customers Priority,Honest Operation,and Considerate Service”,our business mainly focus on the distribution of electronic components. Line cards we deal with include Microchip,ALPS,ROHM,Xilinx,Pulse,ON,Everlight and Freescale. Main products comprise IC,Modules,Potentiometer,IC Socket,Relay,Connector.Our parts cover such applications as commercial,industrial, and automotives areas.

We are looking forward to setting up business relationship with you and hope to provide you with the best service and solution. Let us make a better world for our industry!



## Contact us

Tel: +86-755-8981 8866 Fax: +86-755-8427 6832

Email & Skype: info@chipsmall.com Web: www.chipsmall.com

Address: A1208, Overseas Decoration Building, #122 Zhenhua RD., Futian, Shenzhen, China



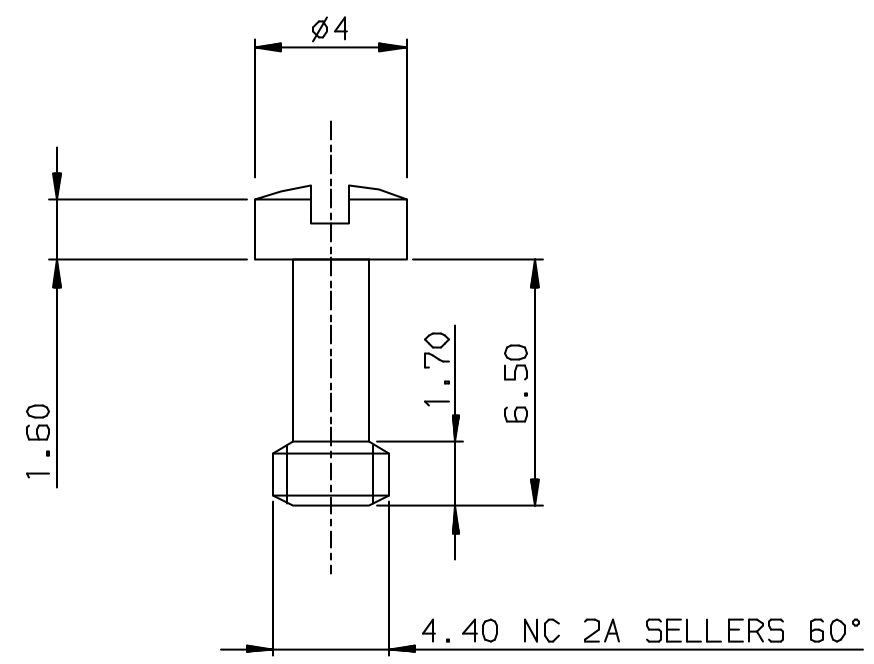
Tous droits strictement réservés. Reproduction ou communication a des tiers interdite sous quelque forme que ce soit sans autorisation écrite du propriétaire. Propriété de c FCI. Droits de reproduction FCI.

**FCI**

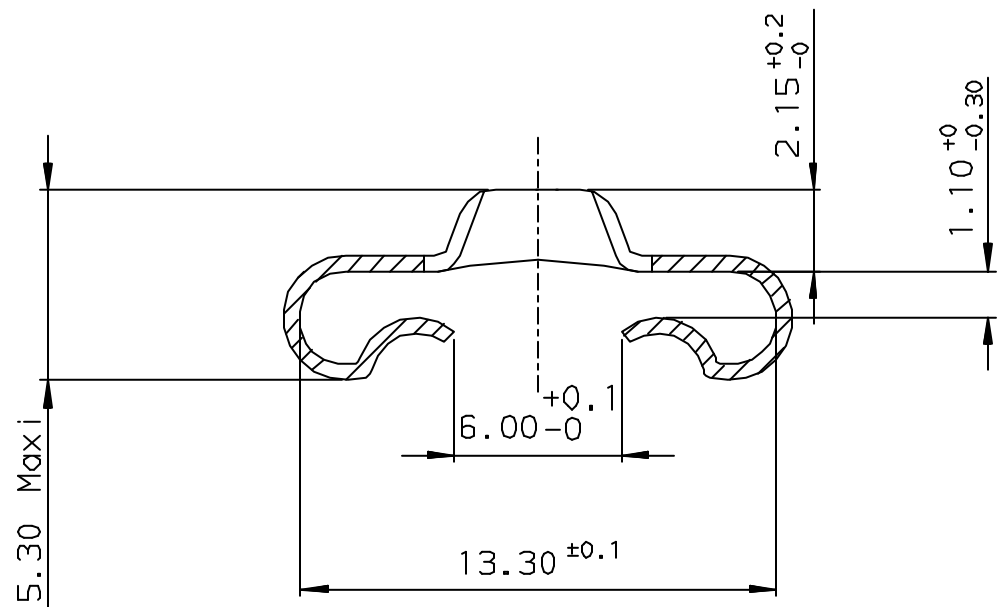
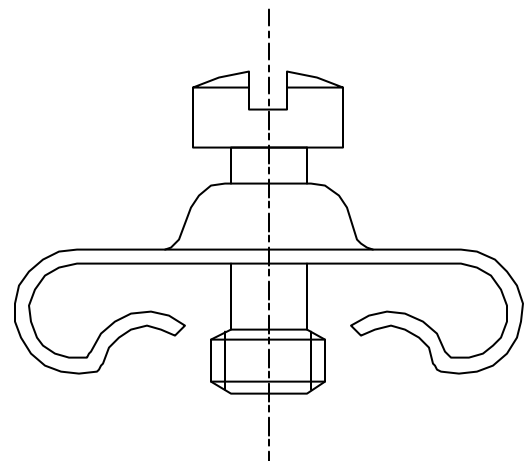
All rights strictly reserved. Reproduction or issue to third parties in any form whatever is not permitted without written authority from the proprietor. Property of FCI. Copyright FCI.

**NOTES**

Pieces assembly  
 Packaging : per 100 piece  
 Material : steel  
 Thread : UNC 4.40



**VUE ASSEMBLE**



Part number **863005ALF**

**NOTE1:RoHS INFORMATIONS**

- The "LF" product meets European union Directives and other country regulations as described in GS-22-008.
- The product is not intended to be exposed to a manufacturing solder process.
- Plating: Zinc Cr3+, white color.
- Packaging spec: see GS-14-920.

European view

<b>FCI</b>		www.fciconnect.com		tolerance ISO 406 ISO 1101	projection 	mm 
Dr	GOISNARD	12/01/06	Product family	D-SUB 571	size	A3
Eng	PESSON	12/01/06	Spec ref	-	ECN	LS05-0123
Chr	LEGARE	12/01/06	Material	SEE NOTES		
Appr	LEGARE	12/01/06				
title				MALE SCREWLOCK FOR HOUSINGS		Rev.
title				9 TO 25 Pts (P ET S)		A
catalog no				- CUSTOMER COPY		sheet 1 of 1