



Chipsmall Limited consists of a professional team with an average of over 10 year of expertise in the distribution of electronic components. Based in Hongkong, we have already established firm and mutual-benefit business relationships with customers from,Europe,America and south Asia,supplying obsolete and hard-to-find components to meet their specific needs.

With the principle of “Quality Parts,Customers Priority,Honest Operation,and Considerate Service”,our business mainly focus on the distribution of electronic components. Line cards we deal with include Microchip,ALPS,ROHM,Xilinx,Pulse,ON,Everlight and Freescale. Main products comprise IC,Modules,Potentiometer,IC Socket,Relay,Connector.Our parts cover such applications as commercial,industrial, and automotives areas.

We are looking forward to setting up business relationship with you and hope to provide you with the best service and solution. Let us make a better world for our industry!



Contact us

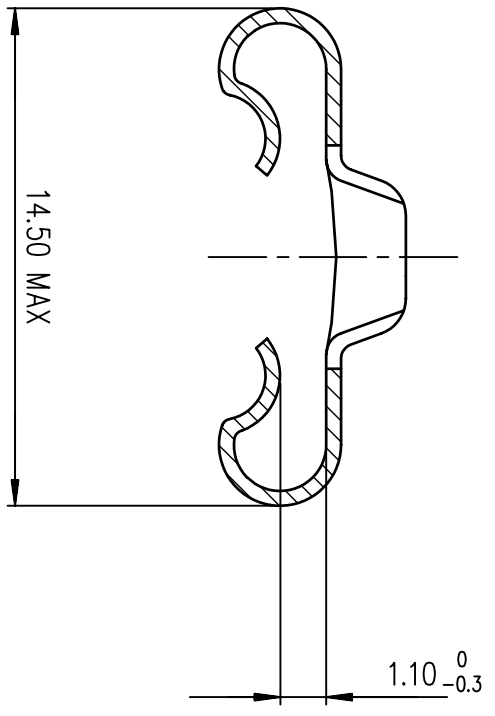
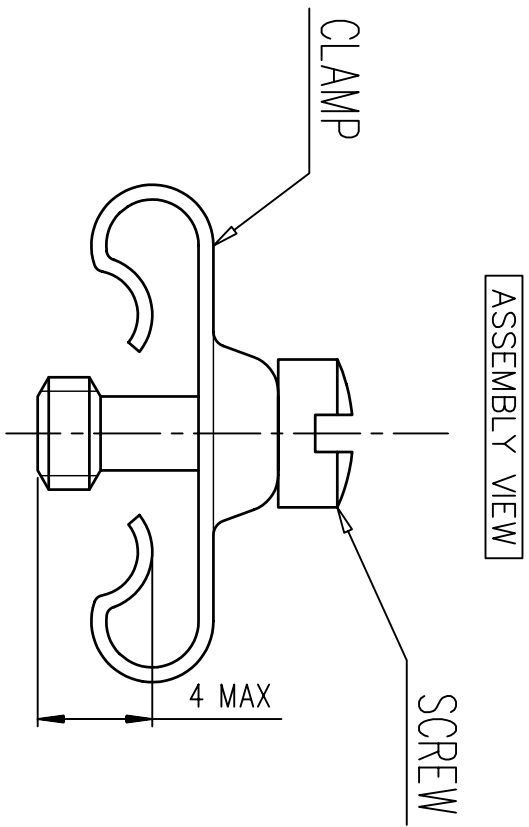
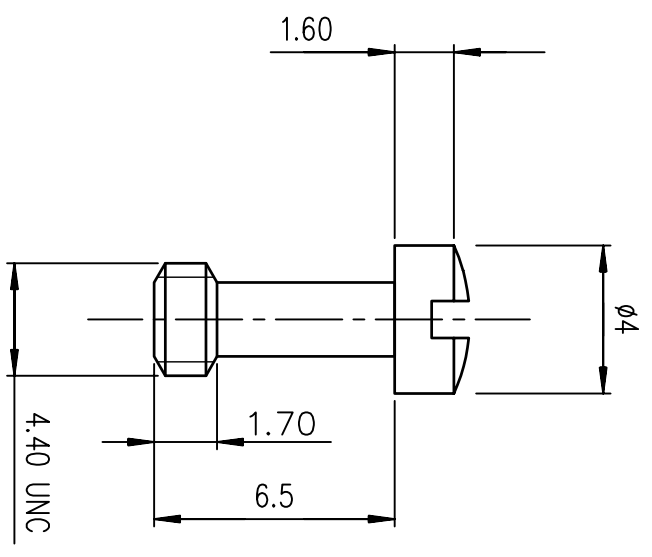
Tel: +86-755-8981 8866 Fax: +86-755-8427 6832

Email & Skype: info@chipsmall.com Web: www.chipsmall.com

Address: A1208, Overseas Decoration Building, #122 Zhenhua RD., Futian, Shenzhen, China



NOTES
 Pieces assembly
 Packaging : per 100 pieces
 Material : steel
 Plating : tin plated
 Thread : UNC 4.40



NOTE:ROHS INFORMATIONS
 - The "LF" products meet European union Directives and other country regulations as described in GS-22-008.
 - Plating Sn (pure bright) over copper
 - Packaging spec: see GS-14-920

rev	ecn no	dr	date
A	-	JOU	2000/03/09
B	LS05-0026	MPE	2005/07/08
C	LS06-0097	LGO	2006/07/28
D	LS09-0006	PCR	2009/01/08
E	I11-0022	AMR	2011/01/25
F	ELX-H-01686	PK	2012/05/09
G	ELX-H-01686	PK	2012/05/21

Part number **863005ATLF**

www.fciconnect.com		surface ISO 1302	tolerance std ISO 406 ISO 1101	projection	Scale
Dr	JOUBERT	ANGULAR	0.X	A3	5
Eng	PESSON	LINEAR	0.XX	ECN	ELX-H-011686
Chr	ABHILASH	0.XX ± 2	0.XXX	Product family	D-SUB
Appr	SUDHIR	2011/01/25		Spec ref	-
MALE SCREWLOCK FOR HOUSINGS		TOLERANCES UNLESS OTHERWISE SPECIFIED		European Views	
catalog no	9 TO 25 Pts (P ET S)			CUSTOMER	sheet 1 of 1
Rev. G		C01-8655-1535		CUSTOMER	