



Chipsmall Limited consists of a professional team with an average of over 10 year of expertise in the distribution of electronic components. Based in Hongkong, we have already established firm and mutual-benefit business relationships with customers from,Europe,America and south Asia,supplying obsolete and hard-to-find components to meet their specific needs.

With the principle of “Quality Parts,Customers Priority,Honest Operation,and Considerate Service”,our business mainly focus on the distribution of electronic components. Line cards we deal with include Microchip,ALPS,ROHM,Xilinx,Pulse,ON,Everlight and Freescale. Main products comprise IC,Modules,Potentiometer,IC Socket,Relay,Connector.Our parts cover such applications as commercial,industrial, and automotives areas.

We are looking forward to setting up business relationship with you and hope to provide you with the best service and solution. Let us make a better world for our industry!



Contact us

Tel: +86-755-8981 8866 Fax: +86-755-8427 6832

Email & Skype: info@chipsmall.com Web: www.chipsmall.com

Address: A1208, Overseas Decoration Building, #122 Zhenhua RD., Futian, Shenzhen, China



A

B

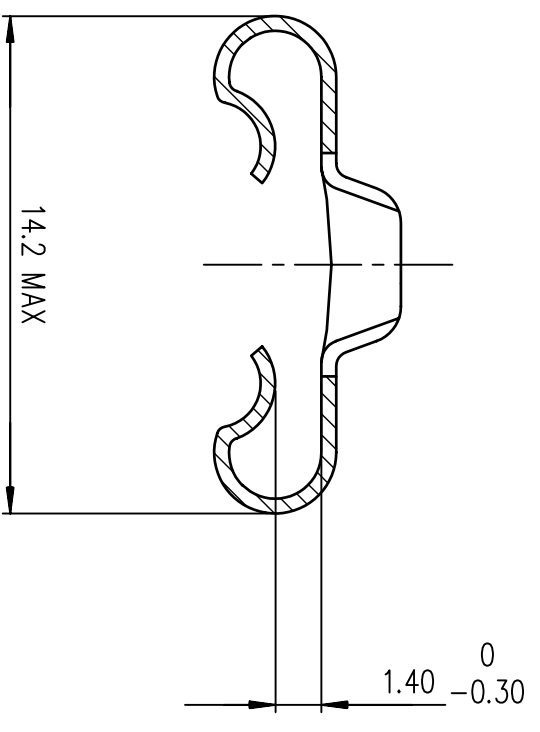
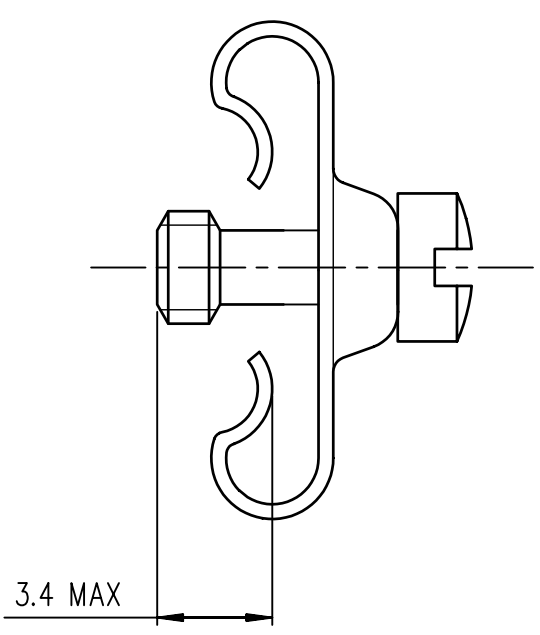
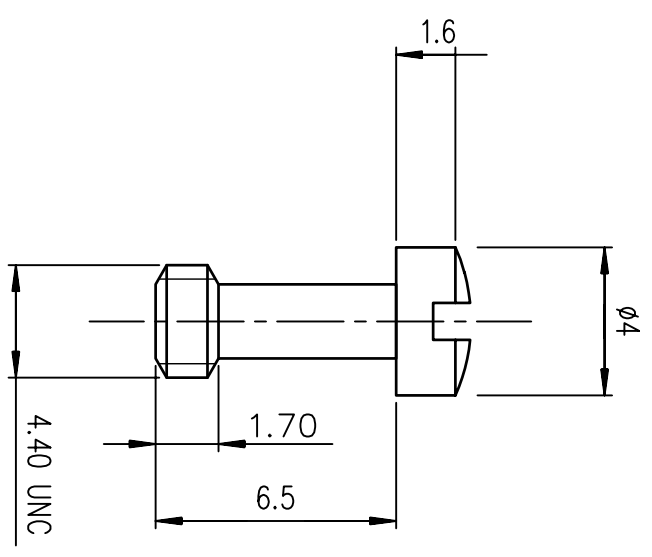
C

D

NOTES

Packaging:
per 100 pieces.
Corrosion resistance:
24 hours exposure to salt spray

ASSEMBLY VIEW



Part number	863008AT
Part number	863008ATLF

NOTE: RoHS INFORMATIONS

- The "LF" products meet European union Directives and other country regulations as described in GS-22-008.
- Plating Sn (pure bright) over copper
- Packaging spec: see GS-14-920

rev	ecn no	dr	date
B	-	JOU	2003/01/28
C	LS05-0026	MPE	2005/07/08
D	LS06-0097	LGO	2006/07/28
E	I11-0022	AMR	2011/01/25
F	ELX-H-01663	PK	2012/05/09
G	ELX-H-01686	PK	2012/05/21

www.fciconnect.com		surface	ISO 1302	tolerance std	ISO 406 ISO 1101	projection	mm
Dr JOUBERT		ANGULAR	✓	TOLERANCES UNLESS OTHERWISE SPECIFIED		⊕	European Views
Eng PESSON	1994/07/01	LINEAR	0.X	±0.1	size A3	Scale 5	
Chr ABHILASH	2011/01/25	0.XX	0.XX	±0.1	ECN ELX-H-011686		
Appr SUDHIR	2011/01/25	Product family	0.XXX	±0.1	D-SUB	Spec ref -	
FCI logo		MALE SCREW LOCKS		Rev. G		CUSTOMER sheet 1 of 1	
catalog no		-		C01-8655-0653			