



Chipsmall Limited consists of a professional team with an average of over 10 year of expertise in the distribution of electronic components. Based in Hongkong, we have already established firm and mutual-benefit business relationships with customers from,Europe,America and south Asia,supplying obsolete and hard-to-find components to meet their specific needs.

With the principle of “Quality Parts,Customers Priority,Honest Operation,and Considerate Service”,our business mainly focus on the distribution of electronic components. Line cards we deal with include Microchip,ALPS,ROHM,Xilinx,Pulse,ON,Everlight and Freescale. Main products comprise IC,Modules,Potentiometer,IC Socket,Relay,Connector.Our parts cover such applications as commercial,industrial, and automotives areas.

We are looking forward to setting up business relationship with you and hope to provide you with the best service and solution. Let us make a better world for our industry!



Contact us

Tel: +86-755-8981 8866 Fax: +86-755-8427 6832

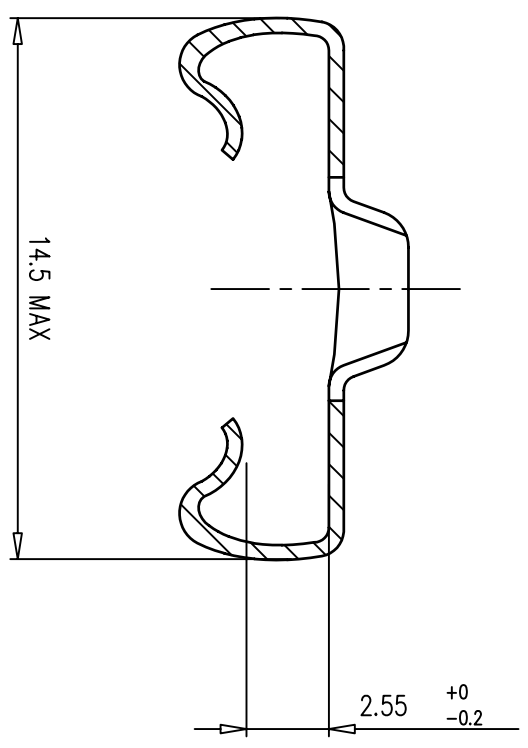
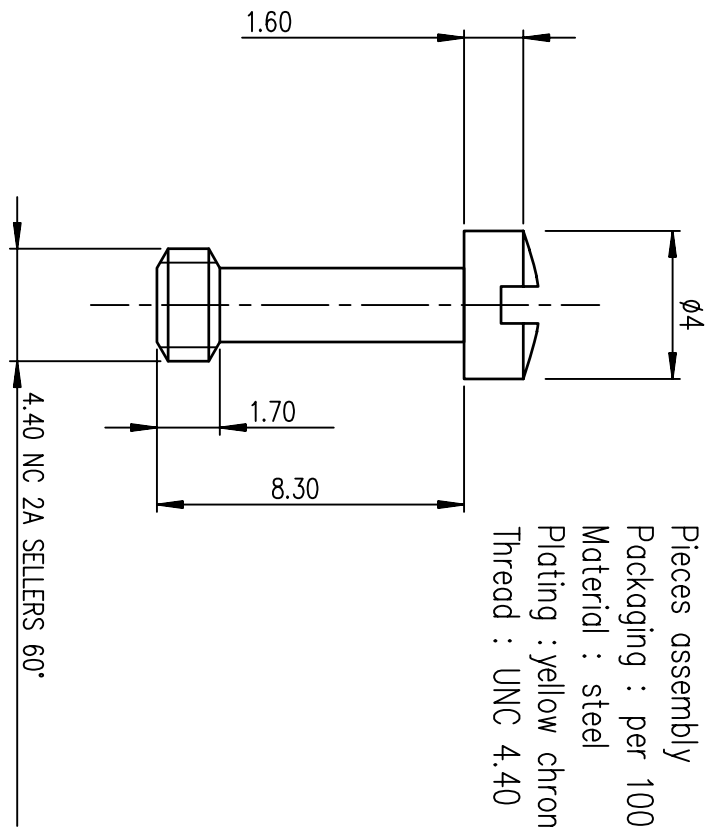
Email & Skype: info@chipsmall.com Web: www.chipsmall.com

Address: A1208, Overseas Decoration Building, #122 Zhenhua RD., Futian, Shenzhen, China

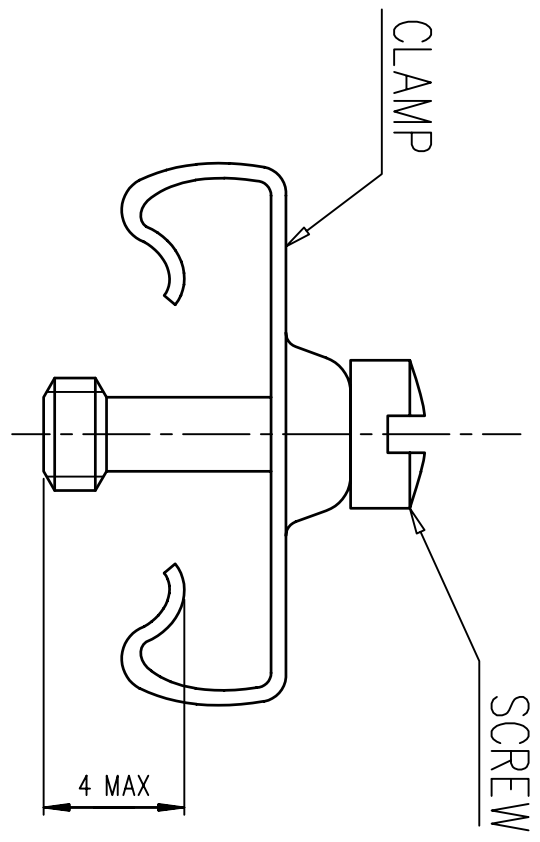


NOTES

Pieces assembly
 Packaging : per 100 piece
 Material : steel
 Plating : yellow chromate cadmium
 Thread : UNC 4.40



VIEW ASSEMBLY



Part Number	863009A
-------------	---------

rev	ecn no	dr	date
B	-	LGO	2004/10/01
C	LS06-0101	MPE	2006/06/27
D	LS07-0001	MPE	2007/01/02
E	LS09-0006	PCR	2009/01/08
El1	-	PK	2012/03/22
F	ELX-H-01683	PK	2012/05/09
G	ELX-H-01686	PK	2012/05/21

www.fciconnect.com		surface	ISO 1302	tolerance std	ISO 406 ISO 1101	projection	mm
Dr	JOUBERT	1997/04/01	ANGULAR	0.X	±0.1	size	A3
Eng	GOISNARD	2004/01/10	LINEAR	0.XX	±0.1	Scale	5
Chr	P.LEGARE	1997/04/01	0.XX' ±2	0.XXX	±0.1	ECN	ELX-H-011686
Appr	P.LEGARE	1997/04/01	Product family		D-SUB	Spec ref	-

MALE SCREW LOCKS
 SHELLS 9 TO 37 D SUB ACCESSORIES

Rev. G
 CUSTOMER sheet 1 of 1