



Chipsmall Limited consists of a professional team with an average of over 10 year of expertise in the distribution of electronic components. Based in Hongkong, we have already established firm and mutual-benefit business relationships with customers from,Europe,America and south Asia,supplying obsolete and hard-to-find components to meet their specific needs.

With the principle of “Quality Parts,Customers Priority,Honest Operation,and Considerate Service”,our business mainly focus on the distribution of electronic components. Line cards we deal with include Microchip,ALPS,ROHM,Xilinx,Pulse,ON,Everlight and Freescale. Main products comprise IC,Modules,Potentiometer,IC Socket,Relay,Connector.Our parts cover such applications as commercial,industrial, and automotives areas.

We are looking forward to setting up business relationship with you and hope to provide you with the best service and solution. Let us make a better world for our industry!



Contact us

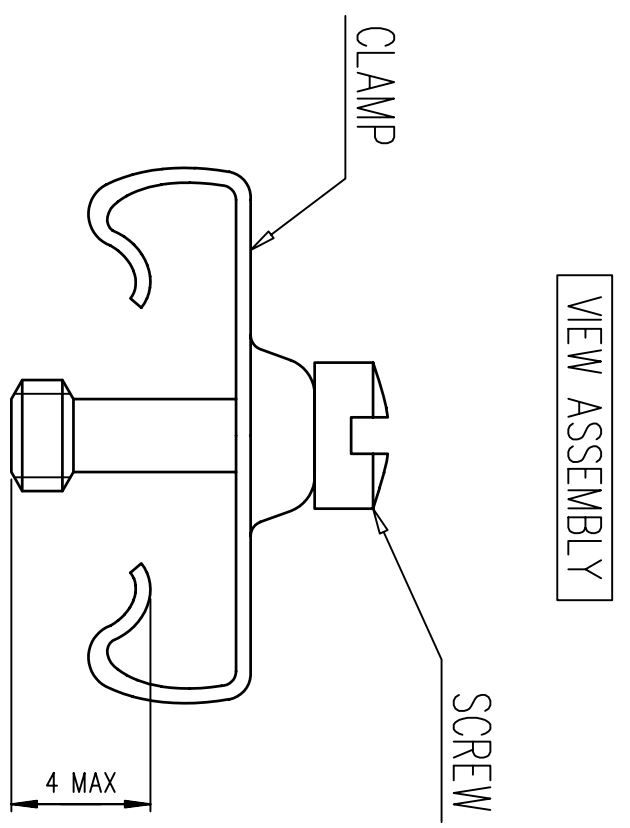
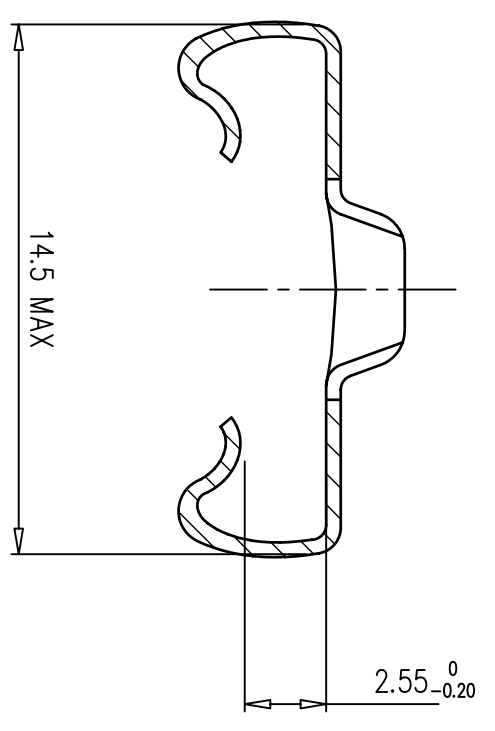
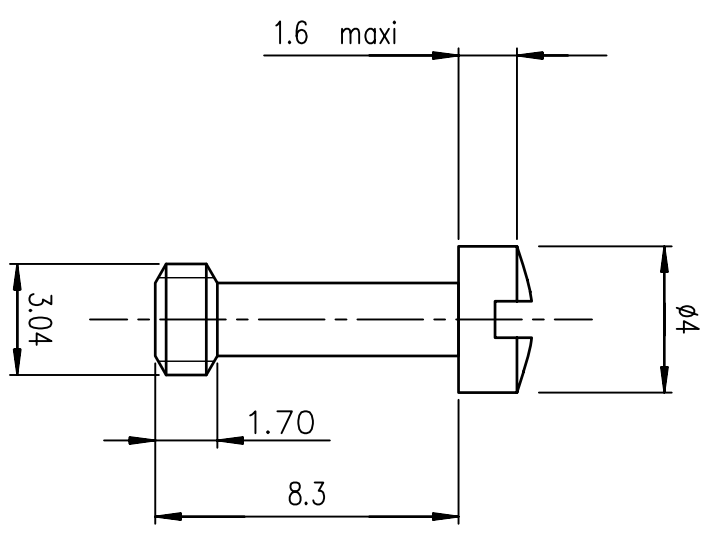
Tel: +86-755-8981 8866 Fax: +86-755-8427 6832

Email & Skype: info@chipsmall.com Web: www.chipsmall.com

Address: A1208, Overseas Decoration Building, #122 Zhenhua RD., Futian, Shenzhen, China



NOTES
 Pieces assembly
 Packaging : per 100 piece
 Material : steel
 Plating : tin
 Thread : UNC 4.40



Part number **863009ATLF**

European Views

surface	ISO 1302	tolerance std	ISO 406 ISO 1101	projection	mm
ANGULAR		TOLERANCES UNLESS OTHERWISE SPECIFIED		size	Scale
LINEAR		0.X		A3	5
Product family		0.XXX		ECN	ELX-H-011686
D-SUB		±0.1		Spec ref	-

Dr	JARRY	1999/07/05	ANGULAR	0.X	±0.1	size	A3	Scale	5
Eng	PESSON	1999/07/05	LINEAR	0.XXX	±0.1	ECN	ELX-H-011686		
Chr	LEGARE	1999/07/05	Product family						
Appr	LEGARE	1999/07/05							

www.fciconnect.com		surface		tolerance std		projection		mm	
FCI		ANGULAR		TOLERANCES UNLESS OTHERWISE SPECIFIED		size		Scale	
MALE SCREW LOCKS		LINEAR		0.X		A3		5	
9 a 37 pts (P et S)		Product family		0.XXX		ECN		ELX-H-011686	
catalog no		D-SUB		±0.1		Spec ref		-	
-		CUSTOMER		sheet		1 of 1		Rev.	
-		C01-8655-0713		F					

NOTE:ROHS INFORMATIONS
 - The "LF" products meet European union Directives and other country regulations as described in GS-22-008.
 - Plating Sn (pure bright) over copper
 - Packaging spec: see GS-14-920

rev	ecn no	dr	date
A	-	JAR	1999/07/05
B	LS05-0026	MPE	2005/07/08
C	LS06-0097	LGO	2006/07/28
D	LS09-0006	PCR	2009/01/08
E	ELX-H-011683	PK	2012/05/09
F	ELX-H-011686	PK	2012/05/21