



Chipsmall Limited consists of a professional team with an average of over 10 year of expertise in the distribution of electronic components. Based in Hongkong, we have already established firm and mutual-benefit business relationships with customers from,Europe,America and south Asia,supplying obsolete and hard-to-find components to meet their specific needs.

With the principle of “Quality Parts,Customers Priority,Honest Operation,and Considerate Service”,our business mainly focus on the distribution of electronic components. Line cards we deal with include Microchip,ALPS,ROHM,Xilinx,Pulse,ON,Everlight and Freescale. Main products comprise IC,Modules,Potentiometer,IC Socket,Relay,Connector.Our parts cover such applications as commercial,industrial, and automotives areas.

We are looking forward to setting up business relationship with you and hope to provide you with the best service and solution. Let us make a better world for our industry!



Contact us

Tel: +86-755-8981 8866 Fax: +86-755-8427 6832

Email & Skype: info@chipsmall.com Web: www.chipsmall.com

Address: A1208, Overseas Decoration Building, #122 Zhenhua RD., Futian, Shenzhen, China



1

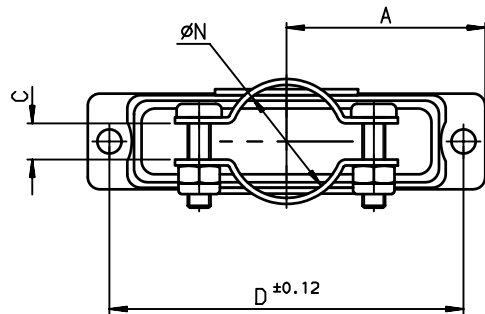
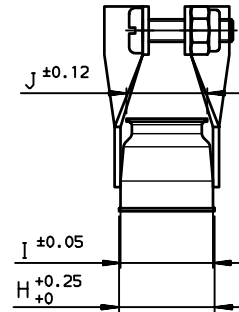
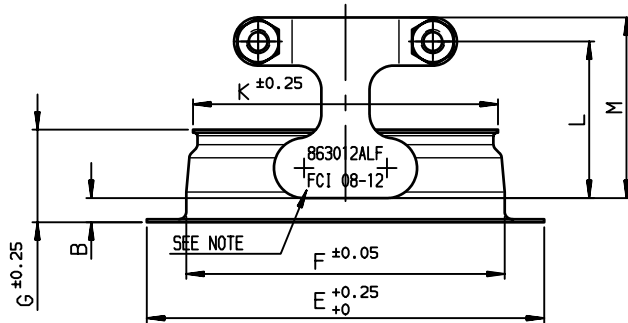
2

3

4

Dimensions are in millimeters

Shell size	PART NUMBER	PART NUMBER	A	B	C	D	E	F	G	H	I	J	K	L	M	ØN
E	863010LF	863010ASP206LF	15.27	2.4	2.4	24.99	30.55	20.21	12.3	12.7	12.28	10.74	18.6	20.8	24	8
A	863011LF	863011ASP206LF	19.44	2.4	3.2	33.32	38.89	28.55	12.3	12.7	12.28	10.74	27	20.8	24	10
B	863012LF	863012ASP206LF	26.39	3.2	4.75	47.04	52.78	42.29	12.3	12.7	12.28	10.74	40.5	20.8	24	15
C	863013LF	863013ASP206LF	34.53	3.2	6.35	63.50	69.06	58.75	12.3	12.7	12.28	10.74	56.96	20.8	24	18
D	863014LF	863014ASP206LF	33.34	3.2	4.75	61.11	66.67	56.36	12.3	15.4	15.15	13.02	55.03	20.8	24	20.6
	packaging : 100 pieces	packaging : 1 piece														



NOTES

- MATERIAL : STEEL
- CORROSION RESISTANCE : 48 HOURS EXPOSURE TO SALT SPRAY
- MARQUAGE REFERENCES SP206:
REFERENCE SANS SP206+FCI et code annee semaine

NOTE1:RoHS INFORMATIONS

- The "LF" product meets European union Directives and other country regulations as described in G5-22-008.
- The product is not intended to be exposed to a manufacturing solder process.
- Plating: Zinc Cr3+, white color.
- Packaging spec: see G5-14-920.

European Views

www.fciconnect.com		surface ISO 1302 ✓	tolerance std ISO 406 ISO 1101	projection mm
TOLERANCES UNLESS OTHERWISE SPECIFIED				
ANGULAR	LINEAR	0.X	±0.1	size A3
0.XX' ±2'		0.XX	±0.1	Scale 1.5
		0.XXX	±0.1	ECN LS08-0117
Dr	GOISNARD	2006/01/12	Product family	D-SUB
Eng	PESSON	2008/04/29	Spec ref	-
Chr	LEGARE	2006/01/12		
Appr	LEGARE	2006/01/12		
FCJ		title METAL HOOD WITH CLAMP STRAIGHT EXIT		Rev. C
catalog no		-		dwg no C01-8655-1654
		CUSTOMER		sheet 1 of 1

rev	ecn no	dr	date
A	LS05-0123	LGO	2006/01/12
B	LS06-0095	LGO	2006/06/24
C	LS08-0117	MPE	2008/04/29
-	-	-	-
-	-	-	-
-	-	-	-
-	-	-	-

1

2

3

4