



Chipsmall Limited consists of a professional team with an average of over 10 year of expertise in the distribution of electronic components. Based in Hongkong, we have already established firm and mutual-benefit business relationships with customers from,Europe,America and south Asia,supplying obsolete and hard-to-find components to meet their specific needs.

With the principle of “Quality Parts,Customers Priority,Honest Operation,and Considerate Service”,our business mainly focus on the distribution of electronic components. Line cards we deal with include Microchip,ALPS,ROHM,Xilinx,Pulse,ON,Everlight and Freescale. Main products comprise IC,Modules,Potentiometer,IC Socket,Relay,Connector.Our parts cover such applications as commercial,industrial, and automotives areas.

We are looking forward to setting up business relationship with you and hope to provide you with the best service and solution. Let us make a better world for our industry!



## Contact us

Tel: +86-755-8981 8866 Fax: +86-755-8427 6832

Email & Skype: info@chipsmall.com Web: www.chipsmall.com

Address: A1208, Overseas Decoration Building, #122 Zhenhua RD., Futian, Shenzhen, China

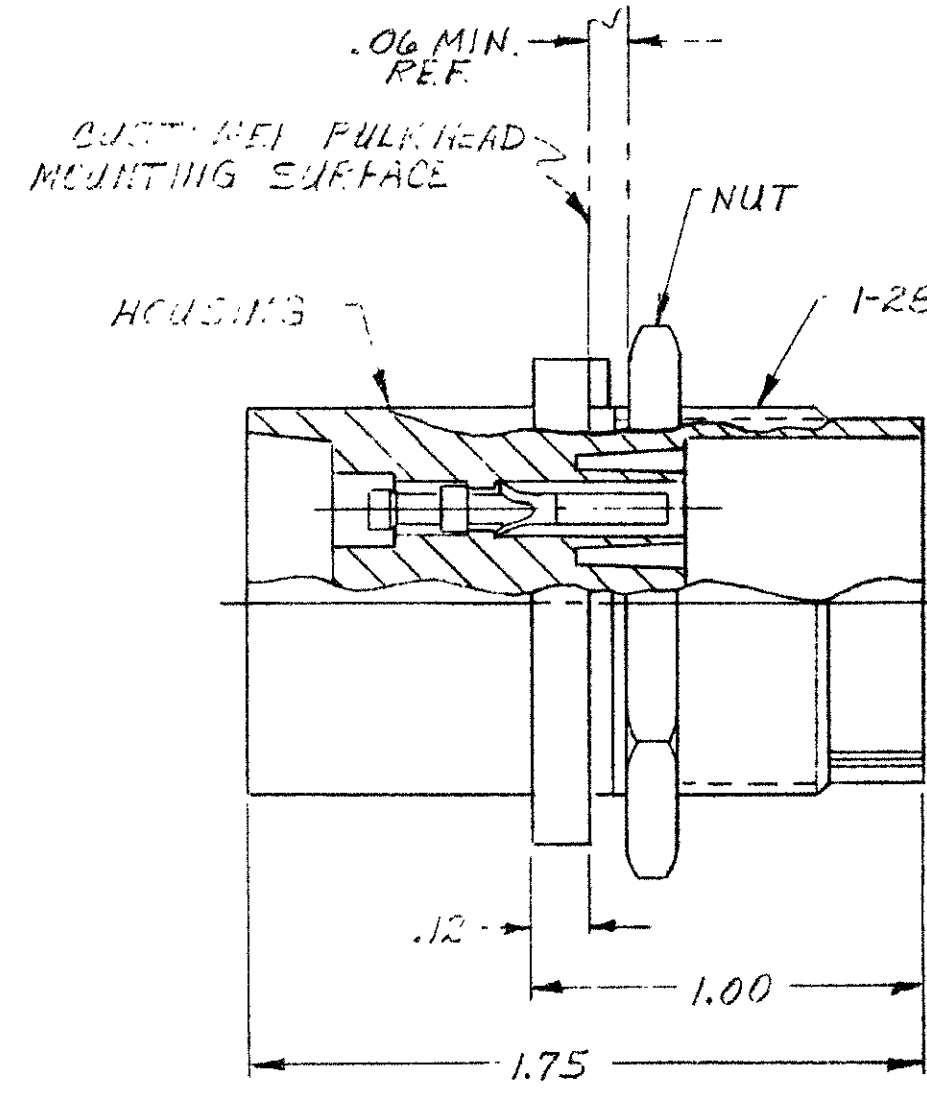


© 1976 BY AMP INCORPORATED. ALL RIGHTS RESERVED. AMP PRODUCTS COVERED BY PATENTS AND/OR PATENTS PENDING.

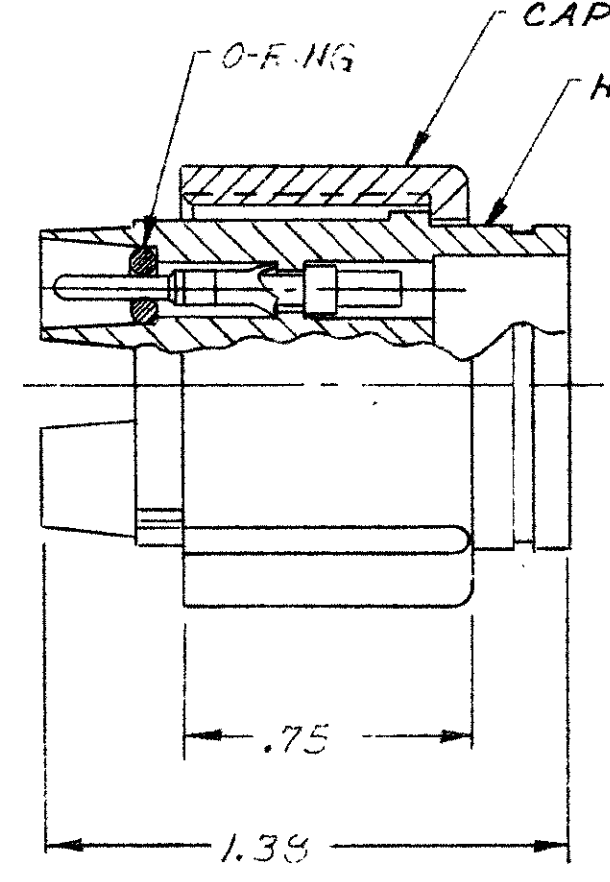
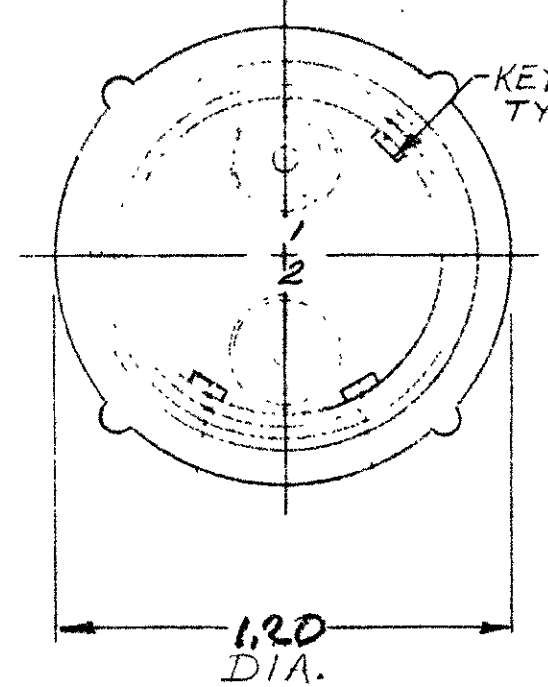
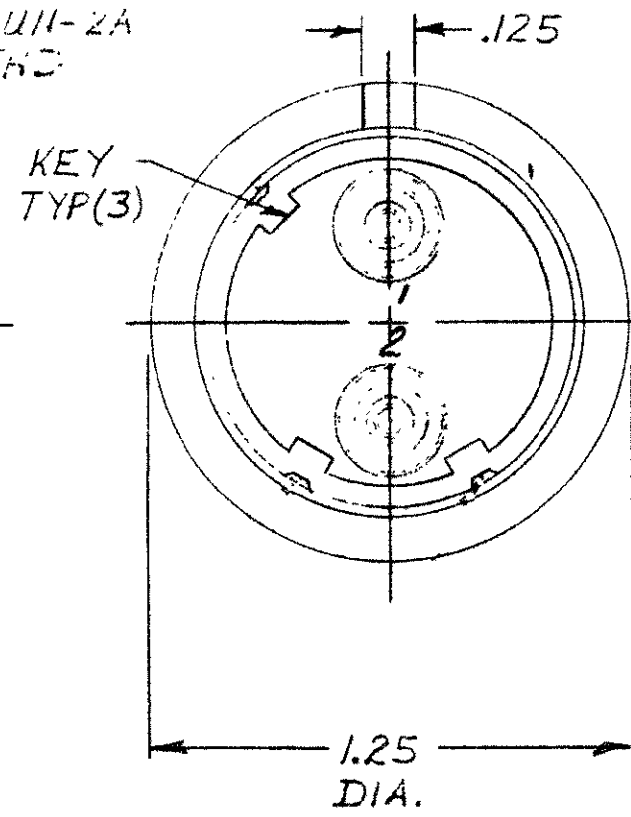
THIS PRODUCT DESIGNED AND BUILT BY AMP INCORPORATED. NO LICENSE TO USE THAT DESIGN IN MANUFACTURE, OR TO USE ANY ISSUED OR PENDING PATENTS WHICH ARE INVOLVED, IS IMPLIED.

Unpublished copy not to be reproduced or published without written permission of AMP Incorporated.

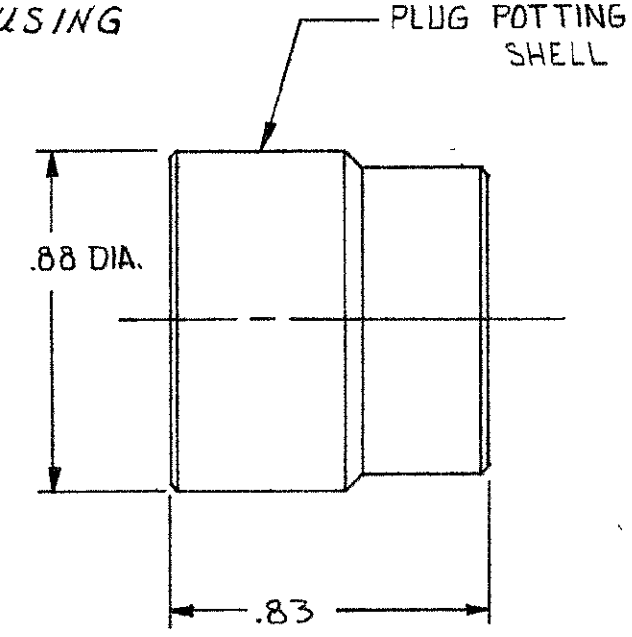
REVISIONS				
ZONE	LTR	DESCRIPTION	DATE	APPROVED
A		ECN 9034	JG 2-22-80	M.A.
B		REV PER OH14-0120-03	CT 10-04	CT



RECEPTACLE

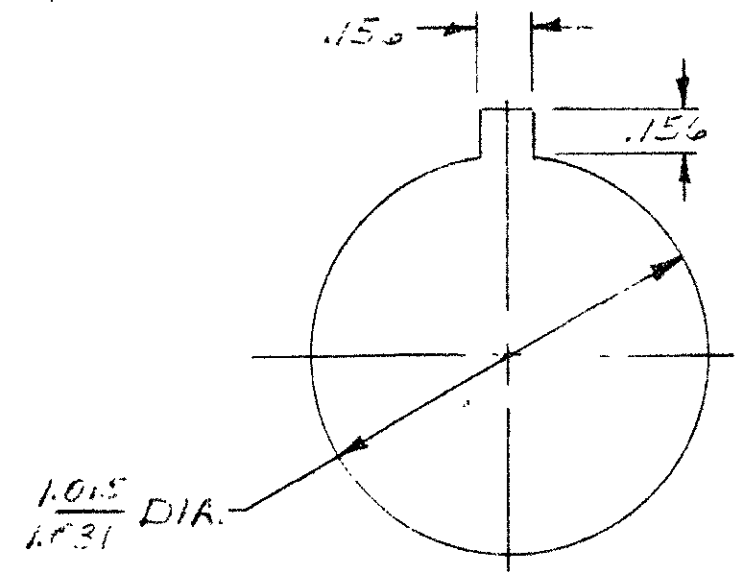


PLUG



AMP P/N	RECEPTACLE	PLUG	WIRE SIZE RANGE	HAND TOOL
863015-1	859529-4	863020-1	20,22,24	45099
863015-2	859529-5	863020-2	16,18	45098
863015-3	859529-6	863020-3	14	45098

- NOTE:
- #16 GA. PINS & SOCKETS GOLD PLATED PER MIL-G-45204, TYPE II, .00005 MIN. THK.
  - TYPE II PINS & SOCKETS TO ACCEPT (1) 20AWG, (1) 22 AWG, OR (1) 24 AWG STRANDED WIRE
  - TYPE II PINS & SOCKETS TO ACCEPT (1) 16 AWG OR (1) 18 AWG STRANDED WIRE
  - PINS & SOCKETS SUPPLIED SEPARATELY IN A PLASTIC BAG.
  - TYPE II PINS & SOCKETS TO ACCEPT ONE (1) 14 AWG STRANDED WIRE.



RECOMMENDED PANEL CUTOUT

QTY REQD	QTY REQD	ITEM NO.	DWG SIZE	PART OR IDENTIFYING NO.	NOMENCLATURE OR DESCRIPTION	SYMBOL	
-2	-1				PARTS LIST		
				CONTRACT NO.	AMP INCORPORATED CAPITRON DIVISION ELIZABETHTOWN, PENNSYLVANIA		
				DR DICK STONE 3-2-76	NAME 2 PIN PLUG & RECEPTACLE KIT		
				CHK	LGH		
				APPR <i>D.J. [Signature]</i> 3/3/76	SIZE C		
				APPD	CODE IDENT NO. 00779	NUMBER 863015	
				DSGN APPD	SCALE 2-1	WT	
				OTHER APPD	SHEET 10F1		
NEXT ASSY		FINAL ASSY		NEXT ASSY		USED ON	
QTY REQD		APPLICATION					

PRINTED LAST 2/37