



Chipsmall Limited consists of a professional team with an average of over 10 year of expertise in the distribution of electronic components. Based in Hongkong, we have already established firm and mutual-benefit business relationships with customers from,Europe,America and south Asia,supplying obsolete and hard-to-find components to meet their specific needs.

With the principle of “Quality Parts,Customers Priority,Honest Operation,and Considerate Service”,our business mainly focus on the distribution of electronic components. Line cards we deal with include Microchip,ALPS,ROHM,Xilinx,Pulse,ON,Everlight and Freescale. Main products comprise IC,Modules,Potentiometer,IC Socket,Relay,Connector.Our parts cover such applications as commercial,industrial, and automotives areas.

We are looking forward to setting up business relationship with you and hope to provide you with the best service and solution. Let us make a better world for our industry!



Contact us

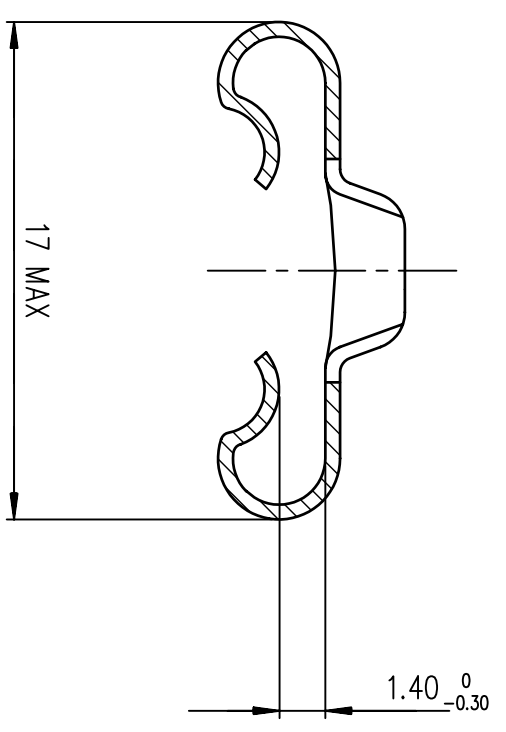
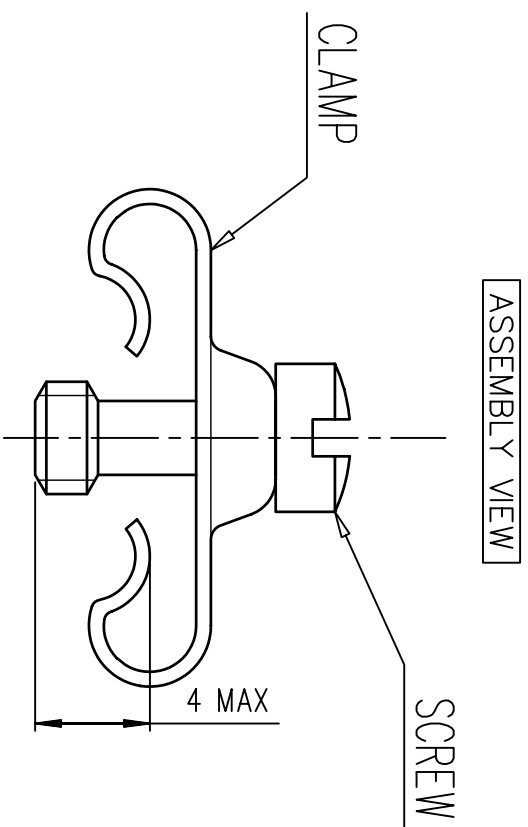
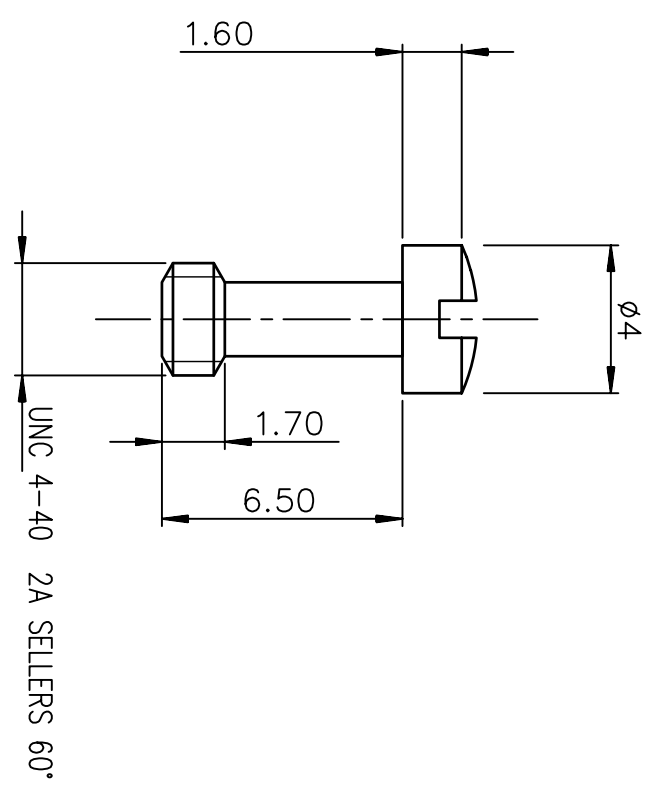
Tel: +86-755-8981 8866 Fax: +86-755-8427 6832

Email & Skype: info@chipsmall.com Web: www.chipsmall.com

Address: A1208, Overseas Decoration Building, #122 Zhenhua RD., Futian, Shenzhen, China



NOTES
 Pieces assembly
 Packaging : per 100 pieces
 Material : steel
 Plating : tin
 Thread : UNC 4.40



Part number **863015ATLF**

European Views

www.fciconnect.com		surface	ISO 1302	tolerance std	ISO 406 ISO 1101	projection	mm
TOLERANCES UNLESS OTHERWISE SPECIFIED		ANGULAR	0.X	±0.1	size	A3	Scale
LINEAR		0.XX	±0.1	ECN	ELX-H-0116886		

Dr	BART	2004/02/26	Product family	D-SUB
Eng	PESSON	2004/02/26		
Chr	ABHILASH	2011/01/25		
Appr	SUDHIR	2011/01/25		

MALE SCREW LOCKS		Rev.	G
D SUB ACCESSORIES		CUSTOMER	sheet 1 of 1
C01-8655-1588			

rev	ecn no	dr	date
A	-	BAR	2004/02/26
B	LS05-0026	MPE	2005/07/08
C	LS06-0097	LGO	2006/07/28
D	LS09-0006	PCR	2009/01/08
E	111-0022	AMR	2011/01/25
F	ELX-H-011686	PK	2012/05/09
G	ELX-H-011686	PK	2012/05/21

NOTE: ROHS INFORMATIONS

- The "LF" products meet European union Directives and other country regulations as described in GS-22-008.
- Plating Sn (pure bright) over copper
- Packaging spec: see GS-14-920