



Chipsmall Limited consists of a professional team with an average of over 10 year of expertise in the distribution of electronic components. Based in Hongkong, we have already established firm and mutual-benefit business relationships with customers from,Europe,America and south Asia,supplying obsolete and hard-to-find components to meet their specific needs.

With the principle of “Quality Parts,Customers Priority,Honest Operation,and Considerate Service”,our business mainly focus on the distribution of electronic components. Line cards we deal with include Microchip,ALPS,ROHM,Xilinx,Pulse,ON,Everlight and Freescale. Main products comprise IC,Modules,Potentiometer,IC Socket,Relay,Connector.Our parts cover such applications as commercial,industrial, and automotives areas.

We are looking forward to setting up business relationship with you and hope to provide you with the best service and solution. Let us make a better world for our industry!



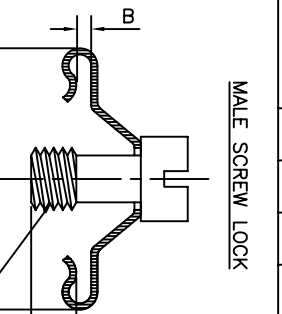
Contact us

Tel: +86-755-8981 8866 Fax: +86-755-8427 6832

Email & Skype: info@chipsmall.com Web: www.chipsmall.com

Address: A1208, Overseas Decoration Building, #122 Zhenhua RD., Futian, Shenzhen, China





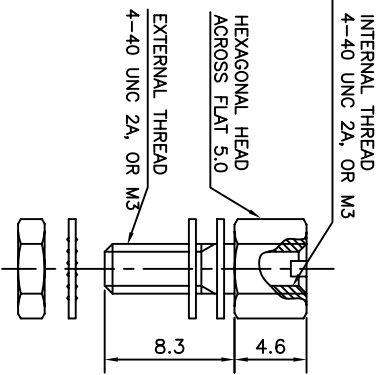
8630-15	17 Max	1.40 ^{3s}	4.0 Max
8630-08	14.5 Max	1.40 ^{3s}	3.4 Max
8630-05	14.5 Max	1.10 ^{3s}	4.0 Max
8630-04	14.5 Max	1.70 ^{3s}	4.0 Max
8630-03	17.0 Max	1.1 ^{3s}	4.0 Max

PART NO:	A	B	C
	DIMENSIONS		

MATERIAL
CLAMP: STEEL
SCREW: STEEL

- NOTE:
- PART NO. INDICATED ARE PLATED REFERS TO SCREW WITH M3 THREAD AS STANDARD VERSION. FOR 4-40 UNC 2A THREAD PLEASE ADD SUFFIX 'N' TO THE CORRESPONDING PART NO.
 - ADD LF SUFFIX FOR LEADFREE PARTNUMBERS

FEMALE SCREW LOCK



8630-01LF	ASSEMBLED FEMALE SCREW LOCK WITH M3 INT & EXT THREAD
8630-01ALF	ASSEMBLED FEMALE SCREW LOCK WITH M3 EXT & UNC INT THREAD
8630-01BLF	ASSEMBLED FEMALE SCREW LOCK WITH UNC INT & EXT THREAD
8630-01CLF	ASSEMBLED FEMALE SCREW LOCK WITH UNC EXT & M3 INT THREAD

PART NO:	DESCRIPTION
----------	-------------

MATERIAL
FEMALE SCREW: BRASS
NUT: STEEL
WASHERS: STEEL



FCIconnect.com

GENERAL NOTE:
PLATING
FOR NON LF : ZINC HEXAVALENT CHROMATE
FOR LF : ZINC TRIVALENT CHROMATE

LF PART NOS FOR ROHS PRODUCTS
This LF product meets European Union Directives and other country regulations as described in GS-22-008
Packaging as per GS-14-920

mat'l. code	surface ISO 1302	tolerance ISO 408 ISO 1101	projection	product family	D-SUB
ltr ecn no	date	tolerances unless otherwise specified		title	MALE AND FEMALE SCREW LOCK
B 806-0074	MDT 2006/06/06	on/angles	MM	dwg no	C-DSUB-0124
C 106-0191	AMR 2009/09/16	lin/cr		sheet 1 of 1	size A4
D 106-0292	AMR 2009/12/29	0°±1°	scale	Product Customer	Drawing
E 111-0082	AMR 2011/01/26	dr			
F 125-011004	PK 2012/05/23	len/gr			
		chr			
		oppd			
sheet revision	Y				
index sheet	1				