



Chipsmall Limited consists of a professional team with an average of over 10 year of expertise in the distribution of electronic components. Based in Hongkong, we have already established firm and mutual-benefit business relationships with customers from,Europe,America and south Asia,supplying obsolete and hard-to-find components to meet their specific needs.

With the principle of “Quality Parts,Customers Priority,Honest Operation,and Considerate Service”,our business mainly focus on the distribution of electronic components. Line cards we deal with include Microchip,ALPS,ROHM,Xilinx,Pulse,ON,Everlight and Freescale. Main products comprise IC,Modules,Potentiometer,IC Socket,Relay,Connector.Our parts cover such applications as commercial,industrial, and automotives areas.

We are looking forward to setting up business relationship with you and hope to provide you with the best service and solution. Let us make a better world for our industry!



## Contact us

Tel: +86-755-8981 8866 Fax: +86-755-8427 6832

Email & Skype: info@chipsmall.com Web: www.chipsmall.com

Address: A1208, Overseas Decoration Building, #122 Zhenhua RD., Futian, Shenzhen, China

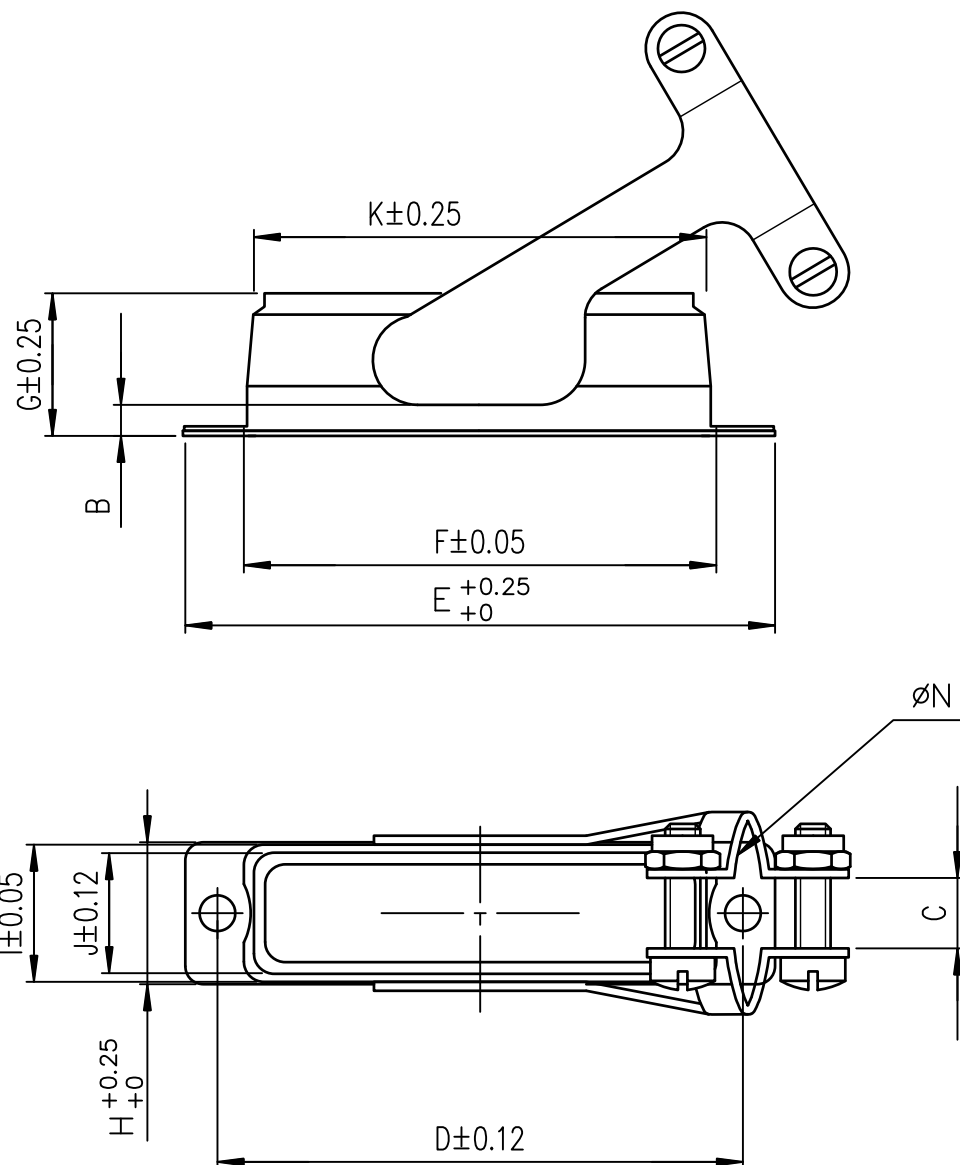


Dimensions are in millimeters

Shell size	PART NUMBER	B	C	D	E	F	G	H	I	J	K	ØN
E	863016	2.4	2.4	24.99	30.55	20.21	12.3	12.7	12.28	10.74	18.6	8
A	863017	2.4	3.2	33.32	38.89	28.55	12.3	12.7	12.28	10.74	27	10
B	863018	3.2	4.75	47.04	52.78	42.29	12.3	12.7	12.28	10.74	40.5	15
C	863019	3.2	6.35	63.50	69.06	58.75	12.3	12.7	12.28	10.74	56.96	18
D	863020	3.2	4.75	61.11	66.67	56.36	12.3	15.4	15.15	13.02	55.03	20.6

NOTES

- MATERIAL : STEEL
- PLATING : YELLOW CHROMATE CADMIUM
- CORROSION RESISTANCE : 50 HOURS EXPOSURE TO SALT SPRAY
- PACKAGING : PER 100 PIECES



mat'l. code SEE.NOTES				surface ISO 1302 ✓		tolerance ISO 406 ISO 1101		projection MM		product family D-SUB			
ltr	ecn no	dr	date	tolerances unless otherwise specified						title METAL HOOD WITH CIRCULAR CLAMP			
A	-	JOU	2002/04/11	angles	linear	O.X ±0.1				ANGLE EXIT			
B	LS06-0097	LGO	2006/07/28			O.XX ±0.1				dwg no C01-8655-1559			
C	LS06-0006	PCR	2009/01/08	X±2'		O.XXX±0.1		scale 1:5		sheet 1 of 1 size 5			
D	ELXI-I-15204	AB	2013/07/11	dr	JOUBERT	2002/04/11				type CUSTOMER Drawing			
				engr	ALIAS.BABU	2013/07/11							
				chr	MITHUN.PAUL	2013/07/11							
				appd	BIJU.K.PAUL	2013/07/11							
sheet index	revision	D											
	sheet	1											



Copyright FCJ