



Chipsmall Limited consists of a professional team with an average of over 10 year of expertise in the distribution of electronic components. Based in Hongkong, we have already established firm and mutual-benefit business relationships with customers from,Europe,America and south Asia,supplying obsolete and hard-to-find components to meet their specific needs.

With the principle of “Quality Parts,Customers Priority,Honest Operation,and Considerate Service”,our business mainly focus on the distribution of electronic components. Line cards we deal with include Microchip,ALPS,ROHM,Xilinx,Pulse,ON,Everlight and Freescale. Main products comprise IC,Modules,Potentiometer,IC Socket,Relay,Connector.Our parts cover such applications as commercial,industrial, and automotives areas.

We are looking forward to setting up business relationship with you and hope to provide you with the best service and solution. Let us make a better world for our industry!



Contact us

Tel: +86-755-8981 8866 Fax: +86-755-8427 6832

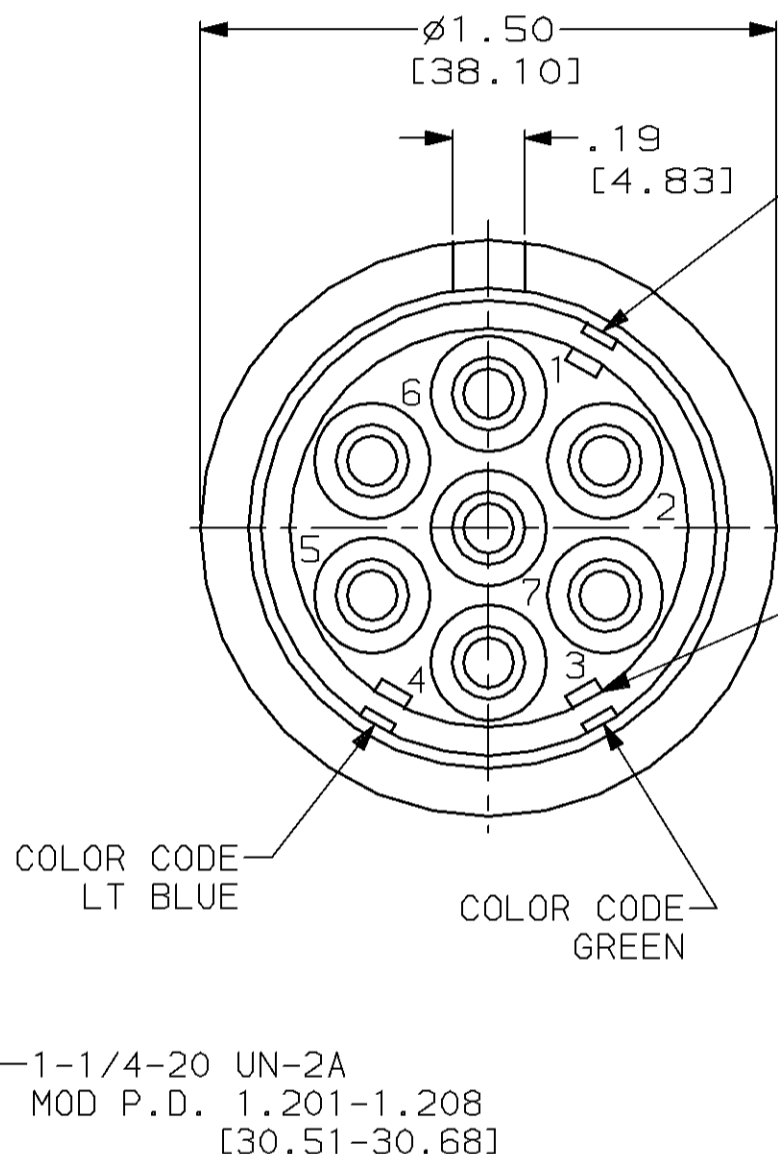
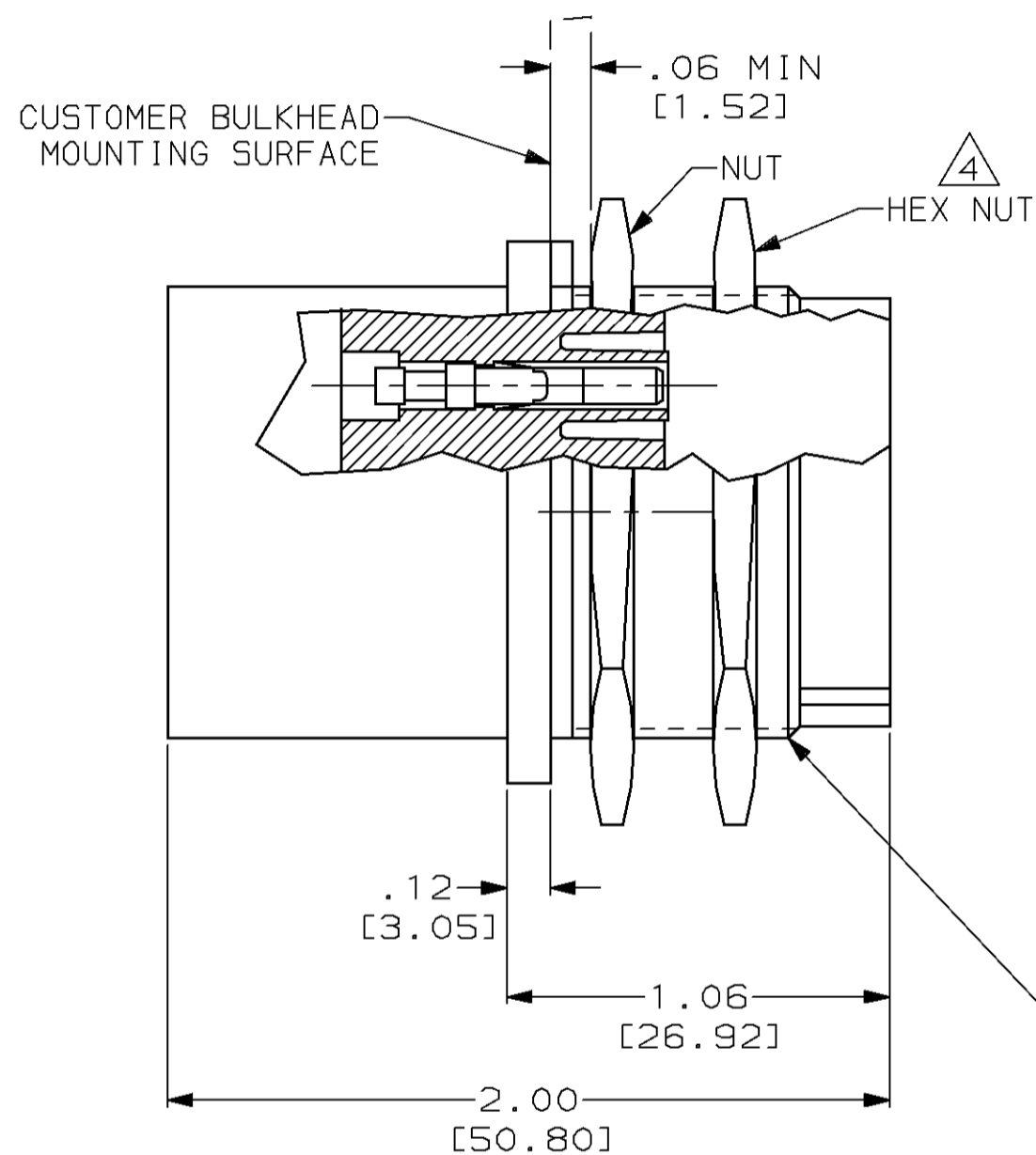
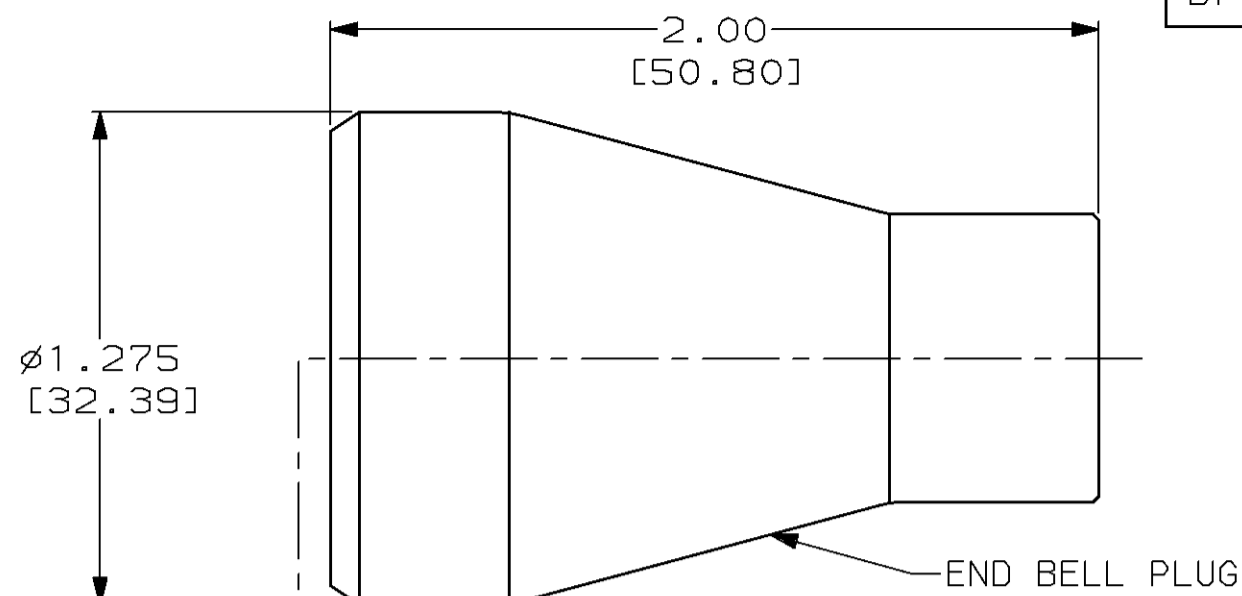
Email & Skype: info@chipsmall.com Web: www.chipsmall.com

Address: A1208, Overseas Decoration Building, #122 Zhenhua RD., Futian, Shenzhen, China



Loc		DIST		REVISIONS			
P	LTR	DATE	OWN	APVD			
DF	SO						
H		REV PER 0600-4687-95	10-95	CT	CS		

- ① TYPE II PINS & SOCKETS TO ACCEPT ONE #20 AWG, ONE #22 AWG, OR ONE #24 AWG STRANDED WIRE.
- ② TYPE II PINS & SOCKETS TO ACCEPT ONE #16 AWG, ONE #18 AWG STRANDED WIRE.
- ③ TYPE II PINS & SOCKETS TO ACCEPT ONE #14 AWG, STRANDED WIRE.
- ④ SECOND HEX NUT IS SUPPLIED WITH -8 & -9 ONLY.



COLOR CODE WHITE

COLOR CODE WHITE

COLOR CODE LT BLUE

COLOR CODE GREEN

COLOR CODE GREEN

COLOR CODE LT BLUE

KEYWAY 3 PLC

KEYWAY 3 PLC

RING, RETAINING (STAINLESS STEEL)

O-RING

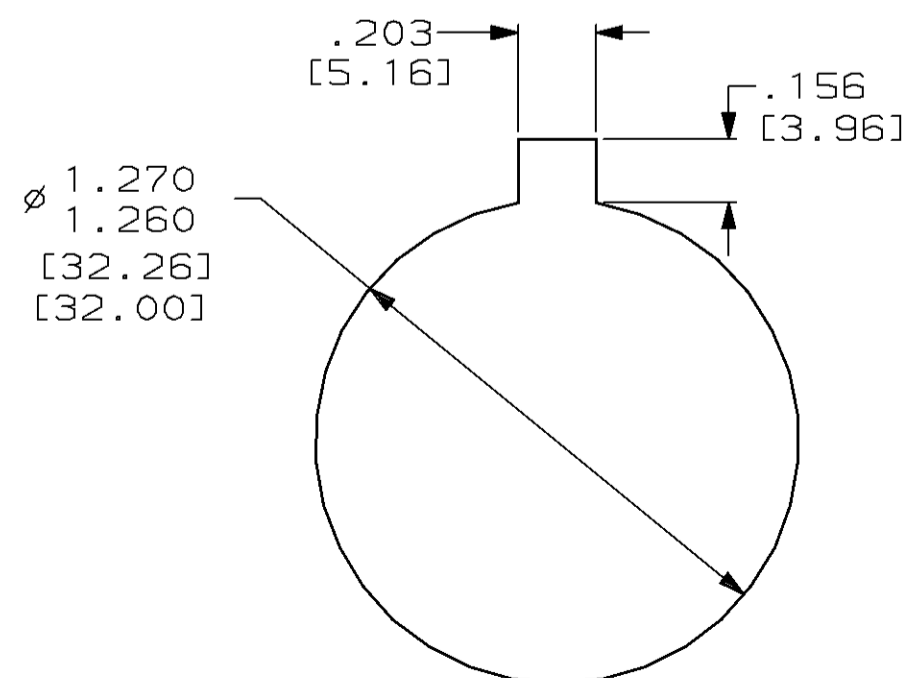
1.06 [26.92]

HOUSING

CAP

PLUG

RECEPTACLE



RECOMMENDED PANEL CUTOUT

REMARKS	COLOR CODE	HAND TOOL	WIRE SIZE RANGE	PLUG	RECEPTACLE	PART NUMBER	
② ④	NO	45098	16, 18	863024-2	861647-8	863019-9	
① ④	NO	45099	20, 22, 24	863024-1	861647-7	863019-8	
OBSOLETE	-	-	-	863024-8	861647-6	863019-7	
OBSOLETE	③	YES	45098	14	863024-7	861647-5	863019-6
OBSOLETE	②	YES	45098	16, 18	863024-6	861647-2	863019-5
OBSOLETE	①	YES	45099	22, 24	863024-5	861647-1	863019-4
	④	NO	45098	14	863024-3	861647-9	863019-3
	②	NO	45098	16, 18	863024-2	861647-8	863019-2
	①	NO	45099	20, 22, 24	863024-1	861647-7	863019-1

THIS DRAWING IS A CONTROLLED DOCUMENT FOR AMP INCORPORATED. IT IS SUBJECT TO CHANGE AND THE CONTROLLING ENGINEERING ORGANIZATION SHOULD BE CONTACTED FOR THE LATEST REVISION.

DWN	T. THOMPSON	03-08-95	AMP AMP Incorporated Harrisburg, PA 17105-3608
CHK	D. EARY	04-19-95	
APVD	D. EARY	04-19-95	
PRODUCT SPEC			
APPLICATION SPEC			NAME 7 PIN PLUG & RECEPTACLE KIT LGH
WEIGHT	-		SIZE A2
CUSTOMER DRAWING			CAGE CODE 00779
			DRAWING NO 863019
			SCALE 2:1
			SHEET 1 OF 1
			REV H