



Chipsmall Limited consists of a professional team with an average of over 10 year of expertise in the distribution of electronic components. Based in Hongkong, we have already established firm and mutual-benefit business relationships with customers from,Europe,America and south Asia,supplying obsolete and hard-to-find components to meet their specific needs.

With the principle of “Quality Parts,Customers Priority,Honest Operation,and Considerate Service”,our business mainly focus on the distribution of electronic components. Line cards we deal with include Microchip,ALPS,ROHM,Xilinx,Pulse,ON,Everlight and Freescale. Main products comprise IC,Modules,Potentiometer,IC Socket,Relay,Connector.Our parts cover such applications as commercial,industrial, and automotives areas.

We are looking forward to setting up business relationship with you and hope to provide you with the best service and solution. Let us make a better world for our industry!



## Contact us

Tel: +86-755-8981 8866 Fax: +86-755-8427 6832

Email & Skype: info@chipsmall.com Web: www.chipsmall.com

Address: A1208, Overseas Decoration Building, #122 Zhenhua RD., Futian, Shenzhen, China

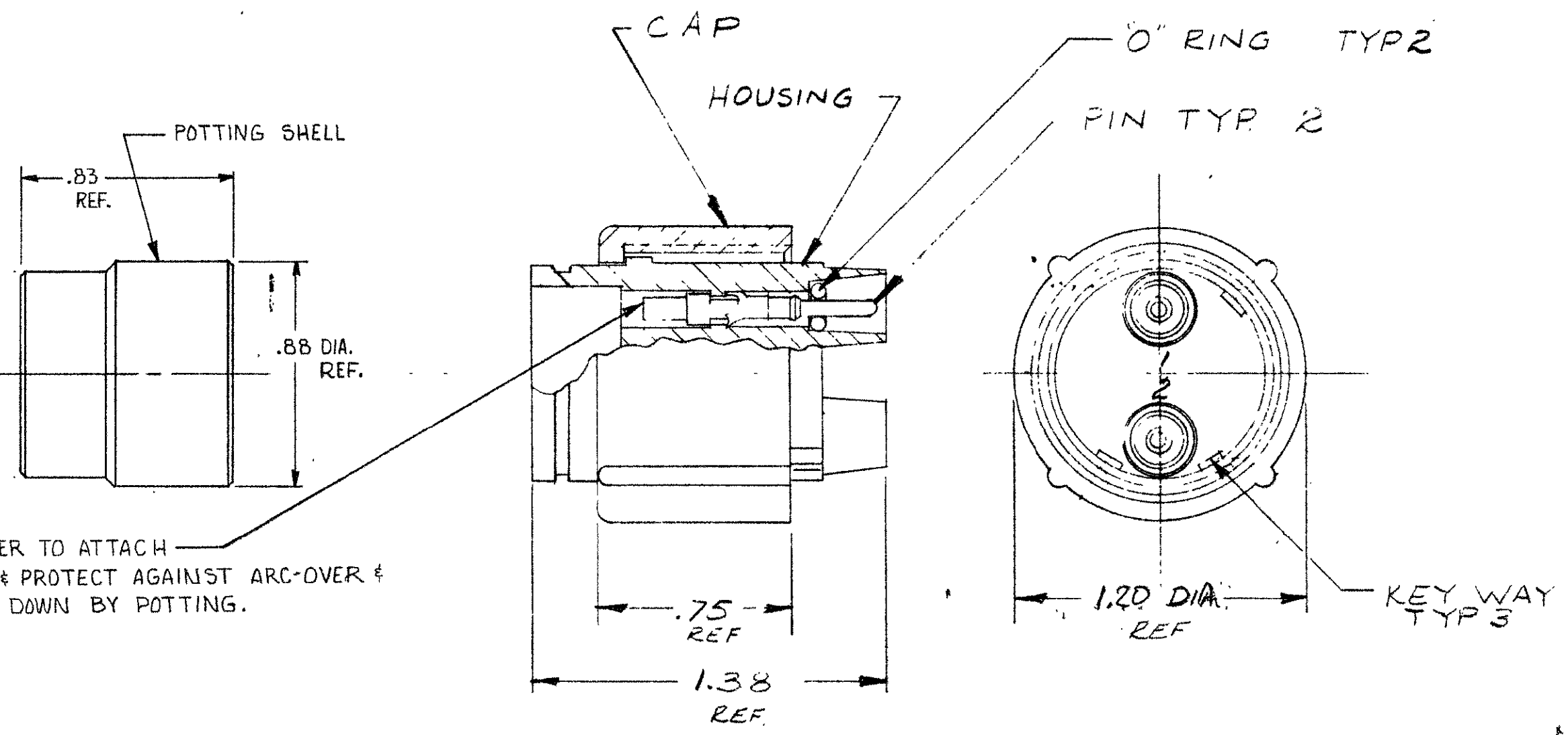


© 1976 BY AMP INCORPORATED. ALL RIGHTS RESERVED. AMP PRODUCTS COVERED BY PATENTS AND/OR PATENTS PENDING.

THIS PRODUCT DESIGNED AND BUILT BY AMP INCORPORATED. NO LICENSE TO USE THAT DESIGN IN MANUFACTURE, OR TO USE ANY ISSUED OR PENDING PATENTS WHICH ARE INVOLVED, IS IMPLIED.

REVISIONS				
ZONE	LTR	DESCRIPTION	DATE	APPROVED
A		REV PER E.C.N. 8605	AG 1-31-79	M. J.
B		REV PER 0114-120-03	CT 10-04	2 F

Unpublished copy not to be reproduced or published without written permission of AMP Incorporated



NOTE:

1. PLUG ASSEMBLY WILL WITHSTAND WITHOUT BREAKDOWN 27 KVDC PIN TO PIN, & 27 KVDC PIN TO GRD. WHEN MATED
2. TYPE II PINS TO ACCEPT ONE (1) 20 AWG, (1) 22 AWG, OR (1) 24 AWG STRANDED WIRE
3. TYPE II PINS TO ACCEPT ONE (1) 16 AWG, OR (1) 18 AWG STRANDED WIRE
4. PLUGS & PINS TO BE SHIPPED SEPERATELY
5. TO REMOVE PINS USE EXTRACTION TOOL #861751-1
6. TYPE II PINS TO ACCEPT ONE (1) 14 AWG STRANDED WIRE

AMP P/N	WIRE SIZE RANGE	HAND TOOL
863020-1	20, 22, 24	45099
863020-2	16, 18	45098
863020-3	14	45098

ITEM NO.	DWG SIZE	PART OR IDENTIFYING NO.	NOMENCLATURE OR DESCRIPTION	SYMBOL
PARTS LIST				
CONTRACT NO. DR DICK STONE 3-2-76 CHK APPD <i>M. Gardner 3/3/76</i> APPD			AMP INCORPORATED CAPITRON DIVISION ELIZABETHTOWN, PENNSYLVANIA NAME PLUG ASS'Y. 2 PIN. LGH.	
UNLESS OTHERWISE SPECIFIED: DIMENSIONS ARE IN INCHES TOLERANCES .00 ±      ANGLES = J .000 ±			SIZE    CODE IDENT NO.    NUMBER C    00779    863020	
MATERIAL: MOLDED PLASTIC			SCALE NONE    WT    SHEET 1 OF 1	
FINISH: BLACK.			OTHER APPD	
QTY REQD	FINAL ASSY	NEXT ASSY	USED ON	APPLICATION