



Chipsmall Limited consists of a professional team with an average of over 10 year of expertise in the distribution of electronic components. Based in Hongkong, we have already established firm and mutual-benefit business relationships with customers from,Europe,America and south Asia,supplying obsolete and hard-to-find components to meet their specific needs.

With the principle of “Quality Parts,Customers Priority,Honest Operation,and Considerate Service”,our business mainly focus on the distribution of electronic components. Line cards we deal with include Microchip,ALPS,ROHM,Xilinx,Pulse,ON,Everlight and Freescale. Main products comprise IC,Modules,Potentiometer,IC Socket,Relay,Connector.Our parts cover such applications as commercial,industrial, and automotives areas.

We are looking forward to setting up business relationship with you and hope to provide you with the best service and solution. Let us make a better world for our industry!



## Contact us

Tel: +86-755-8981 8866 Fax: +86-755-8427 6832

Email & Skype: info@chipsmall.com Web: www.chipsmall.com

Address: A1208, Overseas Decoration Building, #122 Zhenhua RD., Futian, Shenzhen, China

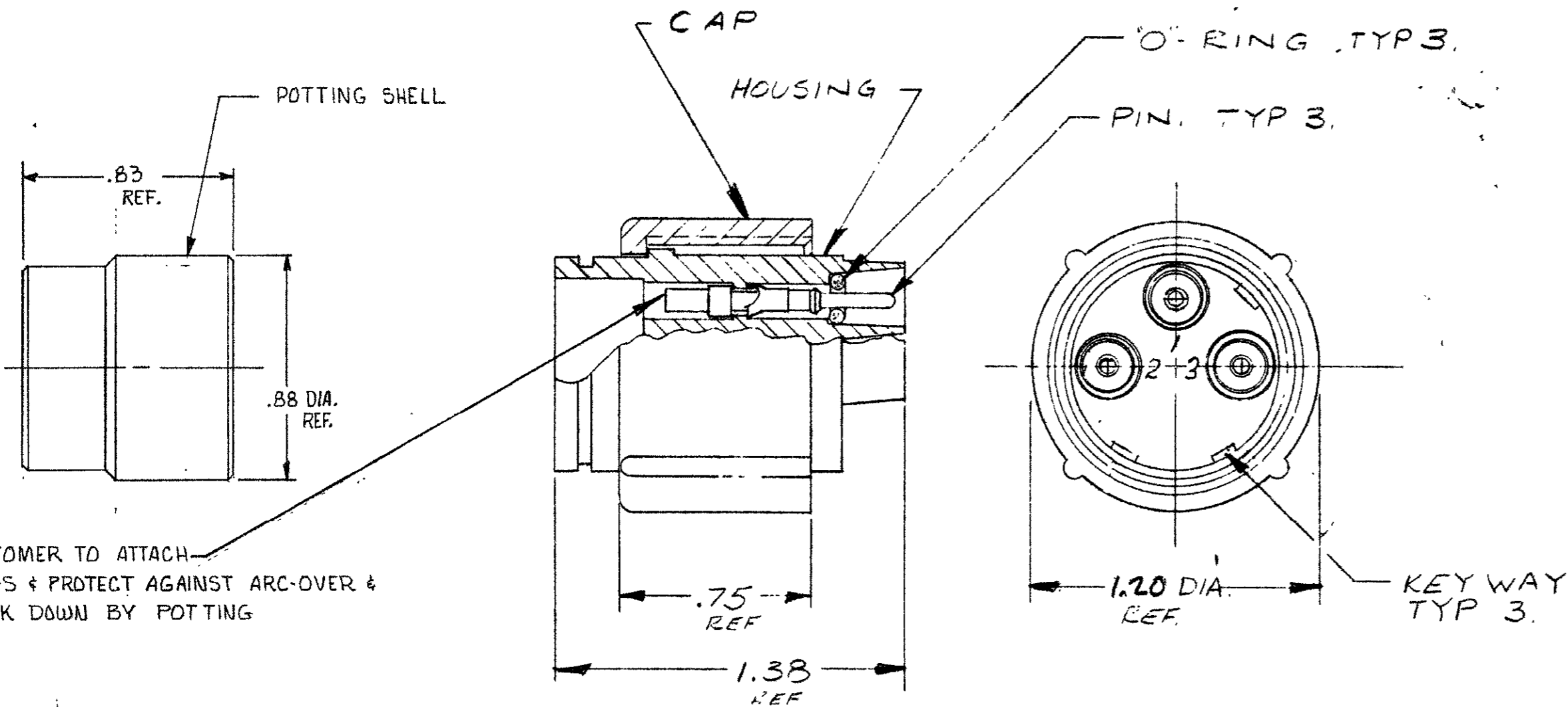


© 1976 BY AMP INCORPORATED. ALL RIGHTS RESERVED. AMP PRODUCTS COVERED BY PATENTS AND/OR PATENTS PENDING.

THIS PRODUCT DESIGNED AND BUILT BY AMP INCORPORATED. NO LICENSE TO USE THAT DESIGN IN MANUFACTURE, OR TO USE ANY ISSUED OR PENDING PATENTS WHICH ARE INVOLVED, IS IMPLIED.

REVISIONS				
ZONE	LTR	DESCRIPTION	DATE	APPROVED
A		REV PER 0414-120-04	CT	10-84

Unpublished copy not to be reproduced or published without written permission of AMP Incorporated.



- NOTE:
- MARK PER AMP-SPEC. 118-36000 (WHITE) 7254
  - PLUG WILL WITHSTAND WITHOUT BREAKDOWN 27 KVDC PIN TO PIN & 27 KVDC PIN TO GRD. WHEN MATED WITH RCPT. # 859527-1
  - PLUG & PINS, SHIPPED SEPARATELY.
  - TYPE II PINS TO ACCEPT ONE 20 AWG, (1) 22 AWG, OR (1) 24 AWG STRANDED WIRE
  - TYPE II PINS TO ACCEPT ONE 16 AWG, OR (1) 18 AWG STRANDED WIRE
  - TO REMOVE PINS USE EXTRACTION TOOL # 3G1751-1
  - TYPE II PINS TO ACCEPT ONE (1) 14 AWG STRANDED WIRE.

AMP P/N	WIRE SIZE RANGE	HAND TOOL
863021-1	20, 22, 24	45099
863021-2	16, 18	45098
863021-3	14	45098

QTY REQ	QTY REQ	ITEM NO.	DWG SIZE	PART OR IDENTIFYING NO.	NOMENCLATURE OR DESCRIPTION	SYMBOL
-2	-1					

UNLESS OTHERWISE SPECIFIED: DIMENSIONS ARE IN INCHES TOLERANCES .00 ±      ANGLES ± .000 ±		CONTRACT NO. DR DICK STONE 3-2-76 CHK		AMP INCORPORATED CAPITRON DIVISION ELIZABETHTOWN, PENNSYLVANIA	
MATERIAL: MOLDED PLASTIC		APPD <i>M. Leiden</i> 9/3/74 APPD		NAME PLUG ASSY 3 PIN EGH.	
FINISH: BLACK.		DSGN APPD		SIZE C	CODE IDENT NO. 00779
NEXT ASSY		OTHER APPD		NUMBER 863021	
QTY REQ	APPLICATION	SCALE NONE		WT	SHEET 1 OF 1