



Chipsmall Limited consists of a professional team with an average of over 10 year of expertise in the distribution of electronic components. Based in Hongkong, we have already established firm and mutual-benefit business relationships with customers from,Europe,America and south Asia,supplying obsolete and hard-to-find components to meet their specific needs.

With the principle of "Quality Parts,Customers Priority,Honest Operation,and Considerate Service",our business mainly focus on the distribution of electronic components. Line cards we deal with include Microchip,ALPS,ROHM,Xilinx,Pulse,ON,Everlight and Freescale. Main products comprise IC,Modules,Potentiometer,IC Socket,Relay,Connector.Our parts cover such applications as commercial,industrial, and automotives areas.

We are looking forward to setting up business relationship with you and hope to provide you with the best service and solution. Let us make a better world for our industry!



Contact us

Tel: +86-755-8981 8866 Fax: +86-755-8427 6832

Email & Skype: info@chipsmall.com Web: www.chipsmall.com

Address: A1208, Overseas Decoration Building, #122 Zhenhua RD., Futian, Shenzhen, China

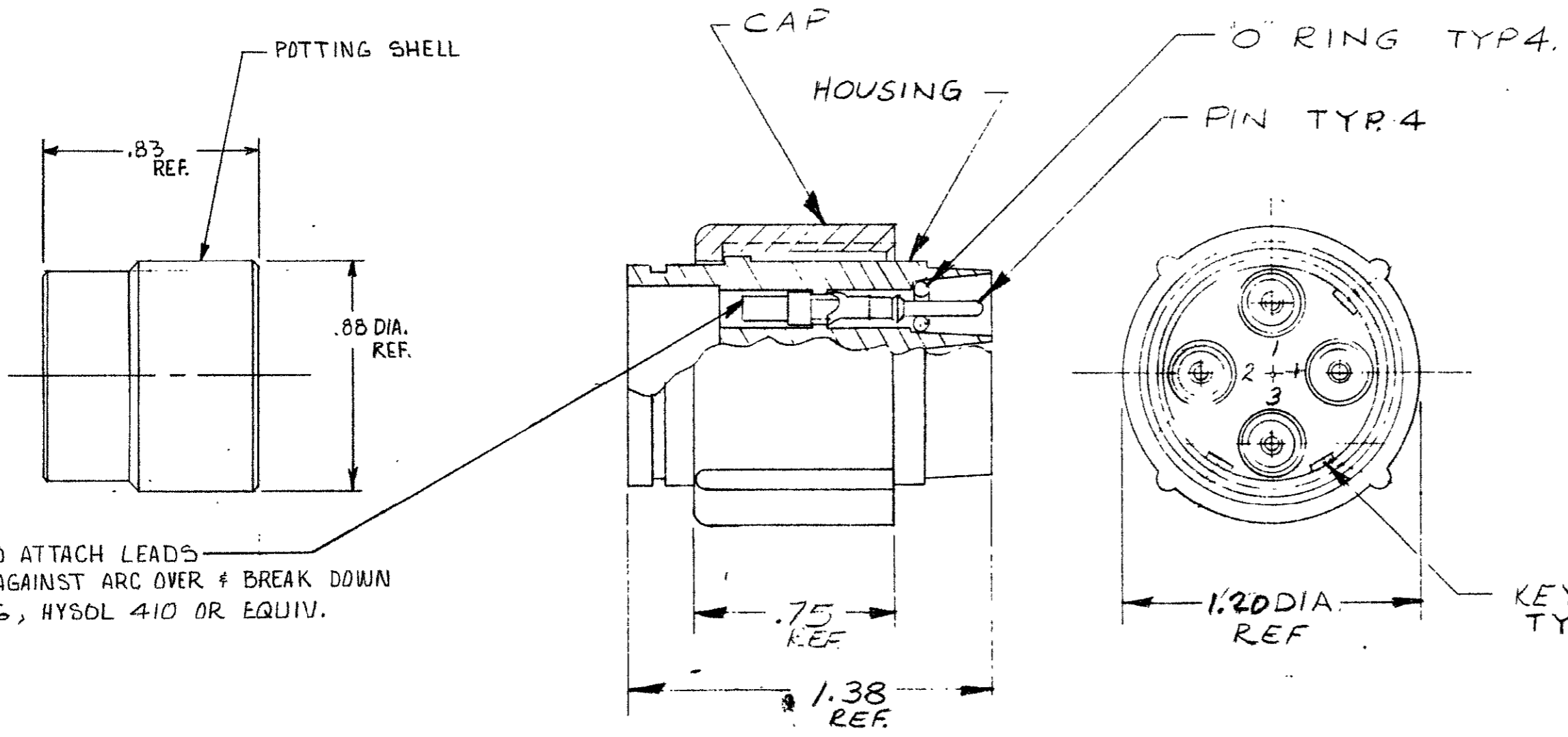


© 1976 BY AMP INCORPORATED. ALL RIGHTS RESERVED. AMP PRODUCTS COVERED BY PATENTS AND/OR PATENTS PENDING.

Unpublished copy not to be reproduced or published without written permission of AMP Incorporated.

THIS PRODUCT DESIGNED AND BUILT BY AMP INCORPORATED. NO LICENSE TO USE THAT DESIGN IN MANUFACTURE, OR TO USE ANY ISSUED OR PENDING PATENTS WHICH ARE INVOLVED, IS IMPLIED.

REVISIONS				
ZONE	LTR	DESCRIPTION	DATE	APPROVED
A		REV PER 01114-0120-04	CT 10-04	CT



CUSTOMER TO ATTACH LEADS & PROTECT AGAINST ARC OVER & BREAK DOWN BY POTTING, HYSOL 410 OR EQUIV.

- NOTE:
1. MARKING, WHITE.
 2. #16 GA. PINS. GOLD PLATED PER MIL-G-45204, TYPE II, .00005 THK. FIN.
 3. PLUG & PINS SHIPPED SEPARATELY.
 4. TYPE II PINS TO ACCEPT (1) 22 AWG (1) 20 AWG, OR (1) 24 AWG STRANDED WIRE.
 5. TYPE II PINS TO ACCEPT (1) 16 AWG, OR 18 AWG STRANDED WIRE.
 6. TO REMOVE PINS USE EXTRACTION TOOL NO. 860751-1
 7. TYPE II PINS TO ACCEPT ONE (1) 14 AWG STRANDED WIRE.

AMP P/N	WIRE SIZE RANGE	HAND TOOL
863022-1	20,22,24	45099
863022-2	16,18	45098
863022-3	14	45098

QTY REQD	QTY REQD	ITEM NO.	DWG SIZE	PART OR IDENTIFYING NO.	NOMENCLATURE OR DESCRIPTION	SYMBOL
-2	-1				PARTS LIST	
UNLESS OTHERWISE SPECIFIED: DIMENSIONS ARE IN INCHES TOLERANCES				CONTRACT NO.		
.00 ±				DR		
.000 ±				DICK STONE 3-1-76		
ANGLES =				CHK		
MATERIAL:				APPD		
MOLDED PLASTIC				APPD		
FINISH:				DSGN APPD		
BLACK				OTHER APPD		
NEXT ASSY	FINAL ASSY	NEXT ASSY	USED ON	AMP INCORPORATED		
				CAPITRON DIVISION		
				ELIZABETHTOWN, PENNSYLVANIA		
				NAME		
				PLUG ASS'Y.		
				4 PIN.		
				LGH		
				SIZE	CODE IDENT NO.	NUMBER
				C	00779	863022
				SCALE	WT	SHEET
				NONE		10/1