



Chipsmall Limited consists of a professional team with an average of over 10 year of expertise in the distribution of electronic components. Based in Hongkong, we have already established firm and mutual-benefit business relationships with customers from,Europe,America and south Asia,supplying obsolete and hard-to-find components to meet their specific needs.

With the principle of “Quality Parts,Customers Priority,Honest Operation,and Considerate Service”,our business mainly focus on the distribution of electronic components. Line cards we deal with include Microchip,ALPS,ROHM,Xilinx,Pulse,ON,Everlight and Freescale. Main products comprise IC,Modules,Potentiometer,IC Socket,Relay,Connector.Our parts cover such applications as commercial,industrial, and automotives areas.

We are looking forward to setting up business relationship with you and hope to provide you with the best service and solution. Let us make a better world for our industry!



Contact us

Tel: +86-755-8981 8866 Fax: +86-755-8427 6832

Email & Skype: info@chipsmall.com Web: www.chipsmall.com

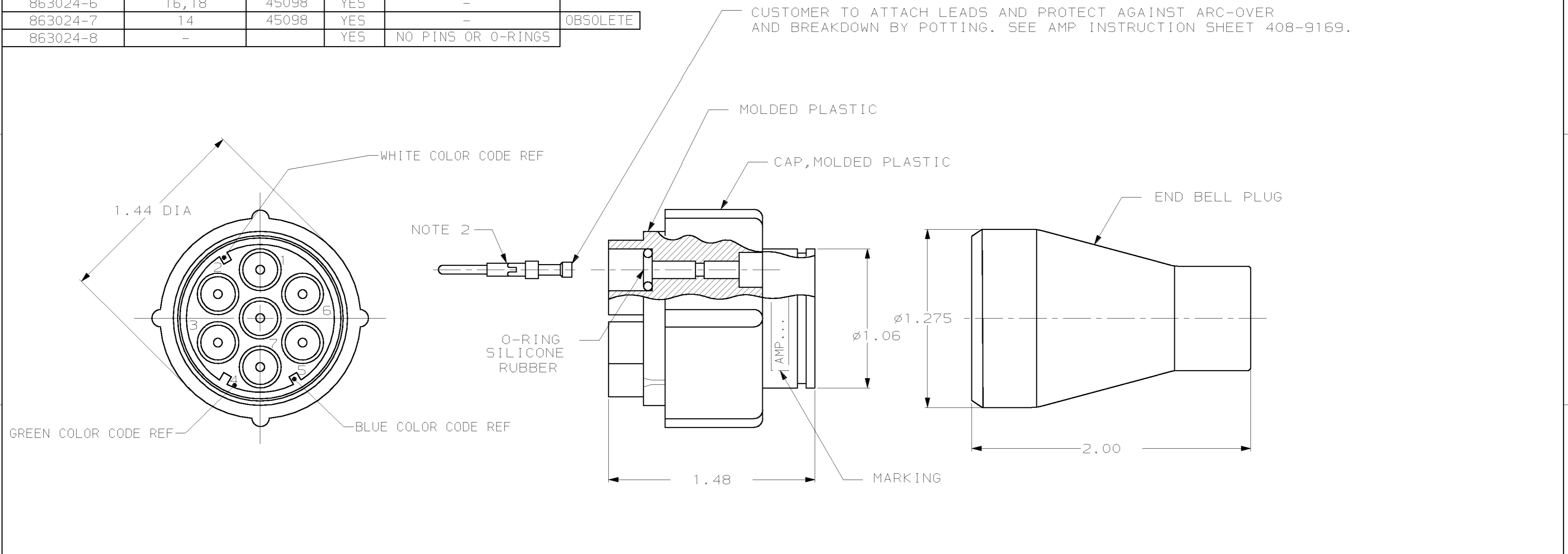
Address: A1208, Overseas Decoration Building, #122 Zhenhua RD., Futian, Shenzhen, China



THIS DRAWING IS UNPUBLISHED. RELEASED FOR PUBLICATION .19
 © COPYRIGHT 19 BY AMP INCORPORATED. ALL RIGHTS RESERVED.

LOC	DIST	REVISIONS			
P	LTR	DESCRIPTION	DATE	DWN	APVD
DF	SO	E	REV PER 063D-0026-00	25JAN00	JEB DE

PART NO.	WIRE SIZE RANGE	HAND TOOL	COLOR CODE	REMARKS
863024-1	20,22,24	45099	NO	-
863024-2	16,18	45098	NO	-
863024-3	14	45098	NO	-
863024-5	20,22,24	45099	YES	- OBSOLETE
863024-6	16,18	45098	YES	-
863024-7	14	45098	YES	- OBSOLETE
863024-8	-		YES	NO PINS OR O-RINGS



- NOTE:
1. PLUG ASSEMBLY WILL WITHSTAND WITHOUT BREAKDOWN 27KVDC PIN TO PIN AND 27KVDC PIN TO GROUND. WHEN MATED WITH RECEPTACLE 861647-1.
 2. TO REMOVE PINS USE EXTRACTION TOOL #861751-1.
 3. CAVITY TO ACCEPT AMP PINS TYPE II SIZE 16.

THIS DRAWING IS A CONTROLLED DOCUMENT.		DWN J.E.BEATTY 25JAN00	AMP Incorporated Harrisburg, PA 17105-3608	
DIMENSIONS: INCHES		CHK D.G.EABY 25JAN00	NAME D.G.EABY	
TOLERANCES UNLESS OTHERWISE SPECIFIED:		APVD D.G.EABY 25JAN00	PRODUCT SPEC	
0 PLC ±-		APPLICATION SPEC		
1 PLC ±-		WEIGHT		
2 PLC ±.04		SCALE 2:1		
3 PLC ±.015		SHEET 1 OF 1		
4 PLC ±-		REV E		
ANGLES ±-		RESTRICTED TO		
FINISH BLACK		SIZE CAGE CODE DRAWING NO		
MATERIAL -		A2 00779 C-863024		
		CUSTOMER DRAWING		

863024