



Chipsmall Limited consists of a professional team with an average of over 10 year of expertise in the distribution of electronic components. Based in Hongkong, we have already established firm and mutual-benefit business relationships with customers from,Europe,America and south Asia,supplying obsolete and hard-to-find components to meet their specific needs.

With the principle of "Quality Parts,Customers Priority,Honest Operation,and Considerate Service",our business mainly focus on the distribution of electronic components. Line cards we deal with include Microchip,ALPS,ROHM,Xilinx,Pulse,ON,Everlight and Freescale. Main products comprise IC,Modules,Potentiometer,IC Socket,Relay,Connector.Our parts cover such applications as commercial,industrial, and automotives areas.

We are looking forward to setting up business relationship with you and hope to provide you with the best service and solution. Let us make a better world for our industry!



Contact us

Tel: +86-755-8981 8866 Fax: +86-755-8427 6832

Email & Skype: info@chipsmall.com Web: www.chipsmall.com

Address: A1208, Overseas Decoration Building, #122 Zhenhua RD., Futian, Shenzhen, China





D

C

B

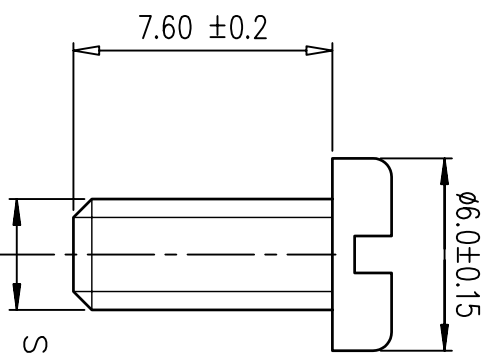
A

1

2

3

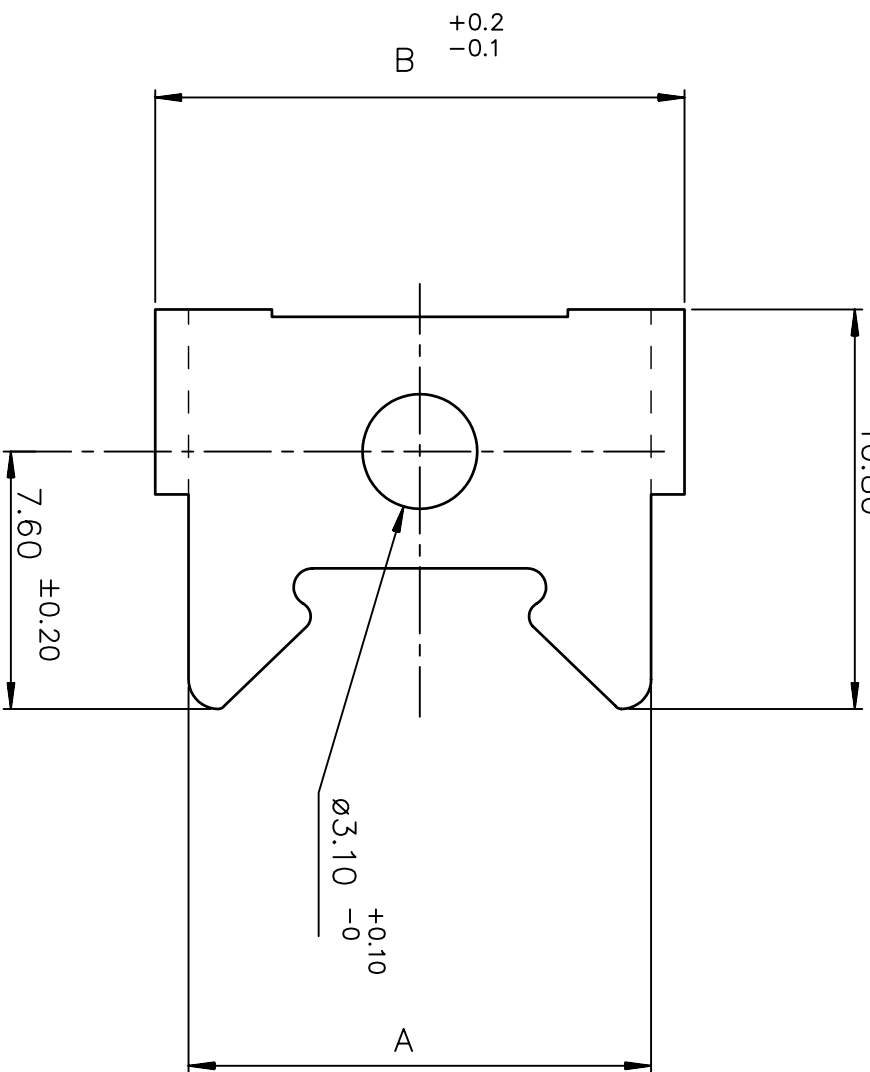
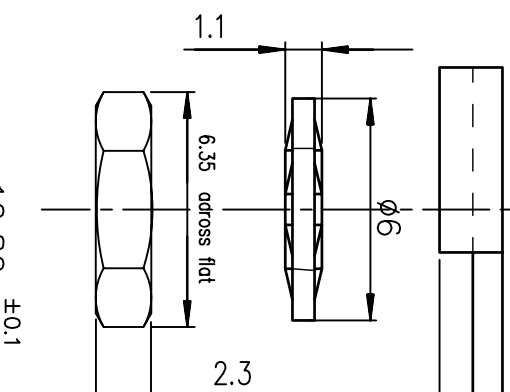
4



SELLERS UNC 4.40

0.80 ± 0.2

1.7 ⁺⁰/_{-0.2}



PART NUMBER	PACKAGING	A	B
86303425060LF	per 100 pieces	12.50	14.30
86303426060LF	per 100 pieces	15.40	17.10

NOTE1:ROHS INFORMATIONS

- The "LF" product meets European union Directives and other country regulations as described in GS-22-008.
- The product is not intended to be exposed to a manufacturing solder process.
- Plating: Zinc Cr3+, white color.
- Packaging spec: see GS-14-920.

rev	ecn no	dr	date
A	LS05-0123	LGO	2006/01/12
B	LS06-0095	LGO	2006/06/24
C	110-0056	AMR	2010/02/22
D	111-0022	AMR	2011/01/25
E	111-0070	AMR	2011/04/18
F	ELX-H-01693	PK	2012/05/22

www.fciconnect.com		surface	ISO 1302	tolerance std	ISO 406 ISO 1101	projection	mm
Dr	GOISNARD	ANGULAR	✓	TOLERANCES UNLESS OTHERWISE SPECIFIED		⊕	European Views
Eng	PESSON	LINEAR		0.X	±0.1	size	A3
Chr	ABHILASH	0.XX		0.XXX	±0.1	ECN	ELX-H-011693
Appr	SUDHIR	Product family	2011/01/25	D-SUB	Spec ref		
FCI logo		LEVER LOCKS FEMELLE		Scale		5	
catalog no		(SHELL SIZE 09 15 25 37 50)		CUSTOMER		sheet 1 of 1	
Rev.		C01-8655-1652		Rev.		F	

1

2

3

4