



Chipsmall Limited consists of a professional team with an average of over 10 year of expertise in the distribution of electronic components. Based in Hongkong, we have already established firm and mutual-benefit business relationships with customers from,Europe,America and south Asia,supplying obsolete and hard-to-find components to meet their specific needs.

With the principle of “Quality Parts,Customers Priority,Honest Operation,and Considerate Service”,our business mainly focus on the distribution of electronic components. Line cards we deal with include Microchip,ALPS,ROHM,Xilinx,Pulse,ON,Everlight and Freescale. Main products comprise IC,Modules,Potentiometer,IC Socket,Relay,Connector.Our parts cover such applications as commercial,industrial, and automotives areas.

We are looking forward to setting up business relationship with you and hope to provide you with the best service and solution. Let us make a better world for our industry!



## Contact us

Tel: +86-755-8981 8866 Fax: +86-755-8427 6832

Email & Skype: info@chipsmall.com Web: www.chipsmall.com

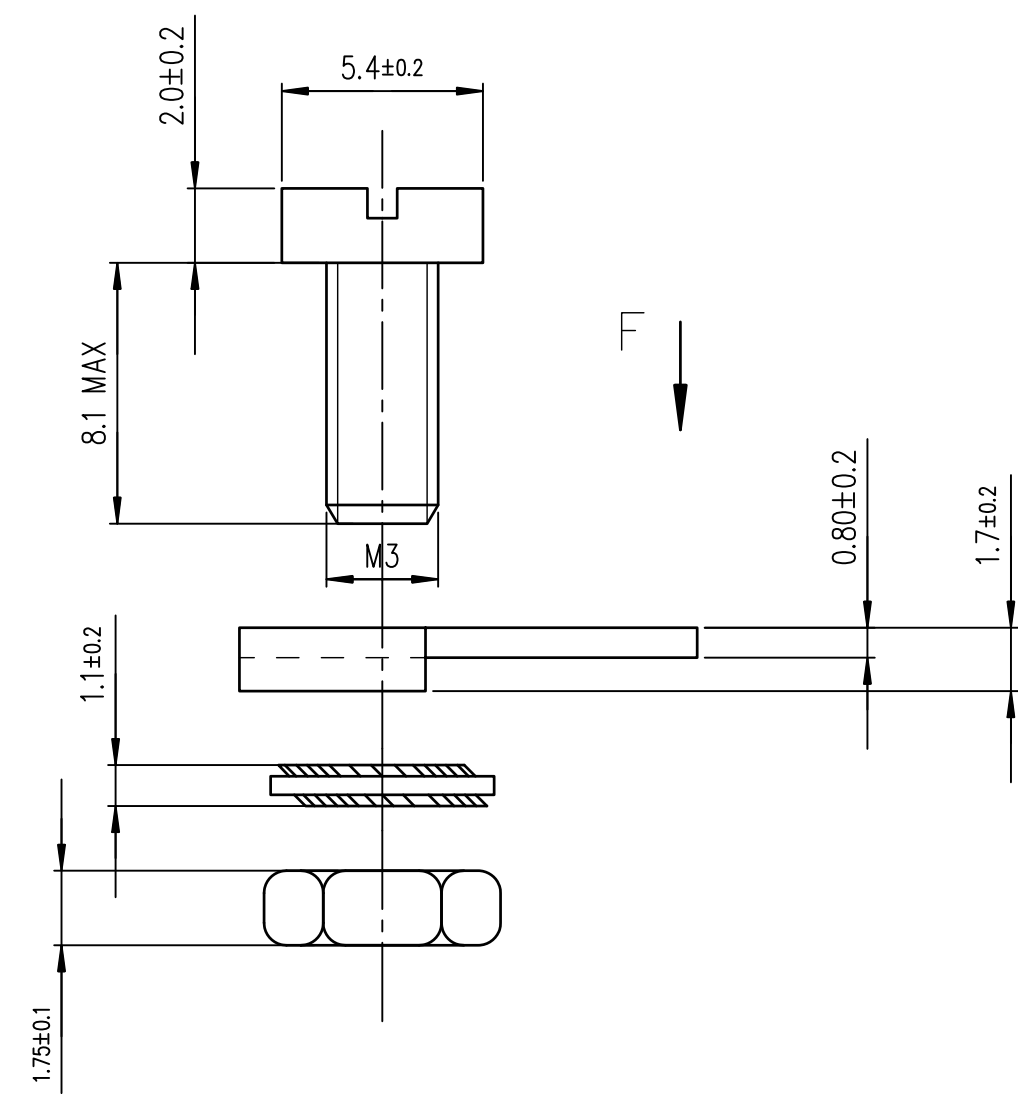
Address: A1208, Overseas Decoration Building, #122 Zhenhua RD., Futian, Shenzhen, China



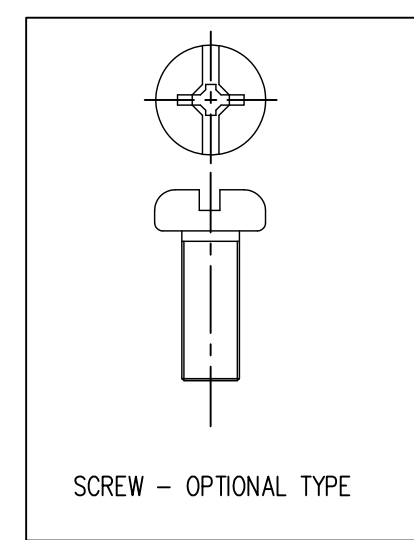
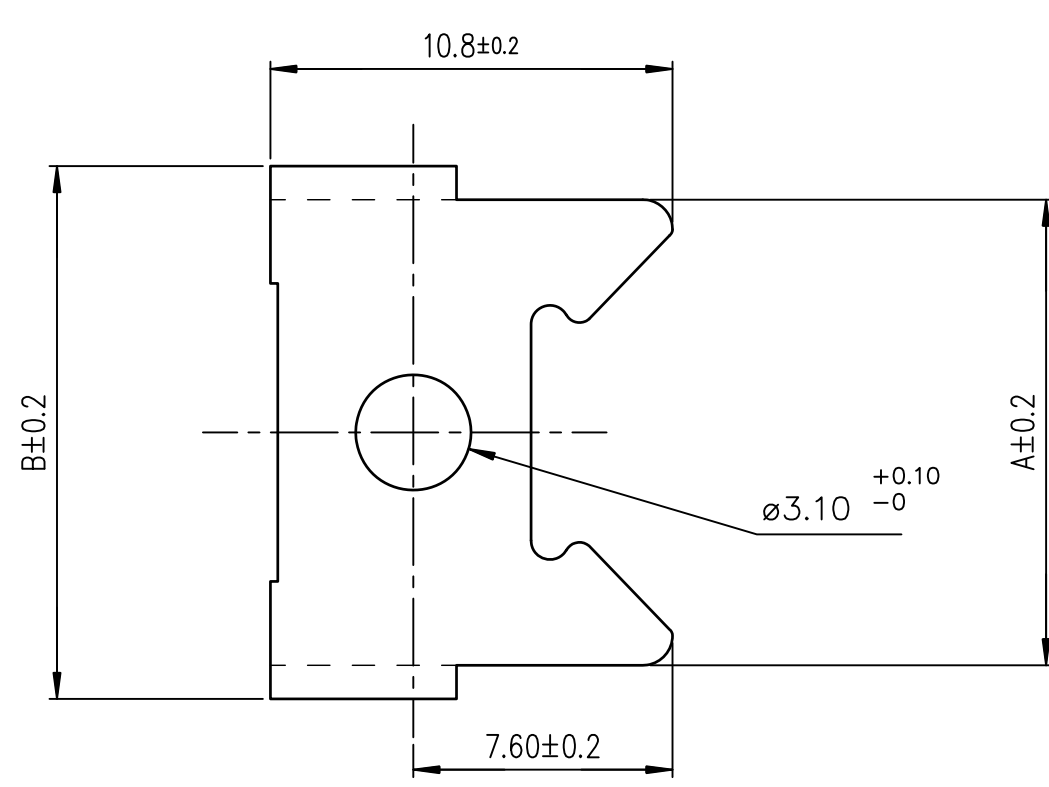


FCIconnect.com

Copyright FCI



view F



SCREW - OPTIONAL TYPE

SCREW - BOTH HEAD TYPES ALLOWED PER LOT

PLATING : zinc

PART NUMBER	PACKAGING	A	B
86303425*	per 100 pieces	12.50	14.30
863034252*	per 2 pieces	12.50	14.30
86303426*	per 100 pieces	15.40	17.10
863034262*	per 2 pieces	15.40	17.10

\* Add LF for Lead Free P/N

mat'l. code		-		surface		ISO 1302 ✓		tolerance		ISO 406 ISO 1101		projection		product family	
ltr		ecn no		dr		date		tolerances unless otherwise specified		angles		linear		title	
J		ELX-I-22354		MP		2015/10/30		.0±.1		0°±2°		MM		D-SUB	
								.00±.1				scale 5:1		FEMALE LEVER LOCKS	
								.000±.1						(SHELL SIZE 09 15 25 37 50)	
								dr		JARRY		1997/06/11		dwg no	
								enr		MITHUN PAUL		2015/10/30		sheet 1 of 1	
								chr		ALIAS BABU		2015/10/30		size	
								app		BIJU K PAUL		2015/10/30		A3	
sheet index		revision sheet		J		1								type Product Customer Drawing	