



Chipsmall Limited consists of a professional team with an average of over 10 year of expertise in the distribution of electronic components. Based in Hongkong, we have already established firm and mutual-benefit business relationships with customers from,Europe,America and south Asia,supplying obsolete and hard-to-find components to meet their specific needs.

With the principle of “Quality Parts,Customers Priority,Honest Operation,and Considerate Service”,our business mainly focus on the distribution of electronic components. Line cards we deal with include Microchip,ALPS,ROHM,Xilinx,Pulse,ON,Everlight and Freescale. Main products comprise IC,Modules,Potentiometer,IC Socket,Relay,Connector.Our parts cover such applications as commercial,industrial, and automotives areas.

We are looking forward to setting up business relationship with you and hope to provide you with the best service and solution. Let us make a better world for our industry!



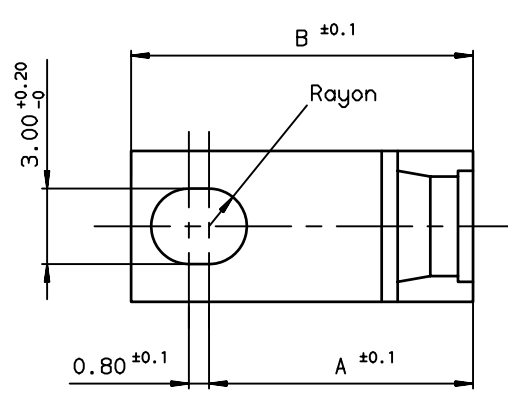
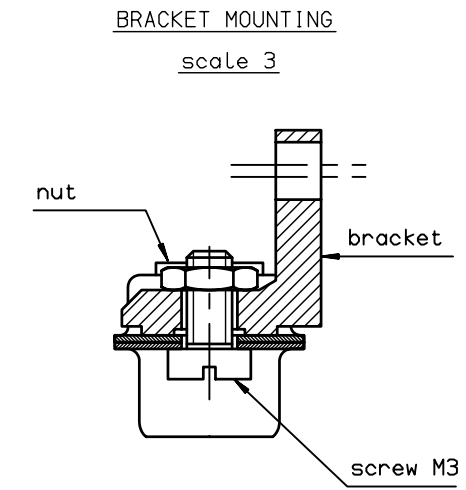
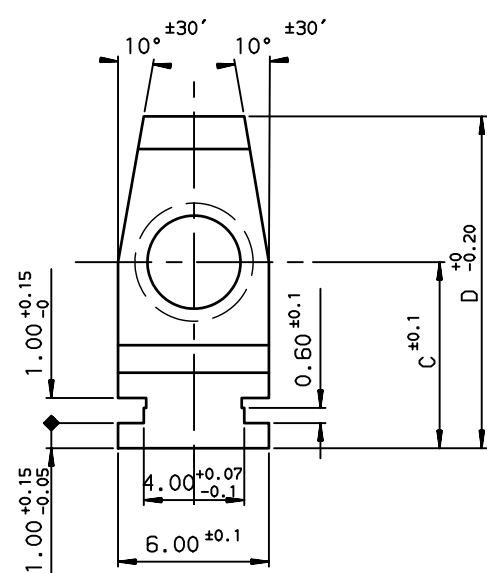
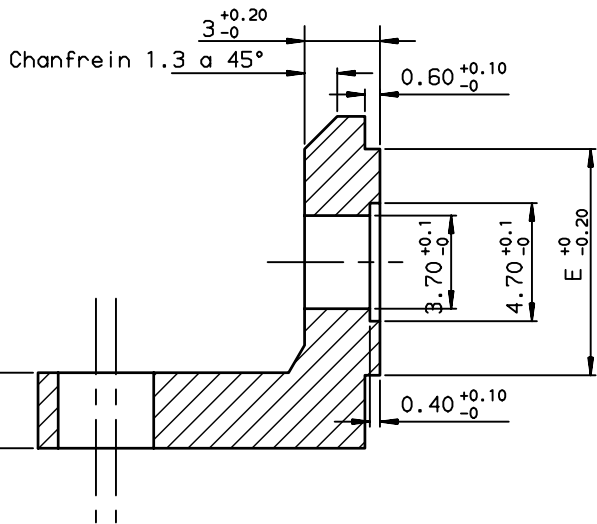
Contact us

Tel: +86-755-8981 8866 Fax: +86-755-8427 6832

Email & Skype: info@chipsmall.com Web: www.chipsmall.com

Address: A1208, Overseas Decoration Building, #122 Zhenhua RD., Futian, Shenzhen, China





86303613	11.60	16.50	8.80	16.15	11	per 100 pieces
86303612SP701	10.50	13.60	7.40	13.20	9	per 1 piece
86303612	10.50	13.60	7.40	13.20	9	per 100 pieces
PART NUMBER	A	B	C	D	E	PACKAGING

rev	ecn no	dr	date
C	-	JAR	2003/02/17
D	LS06-0097	LGO	2006/07/28
E	LS09-0006	PCR	2009/01/08
-	-	-	-
-	-	-	-
-	-	-	-

www.fciconnect.com		surface ISO 1302 ✓	tolerance std ISO 406 ISO 1101	projection 1st angle	mm
TOLERANCES UNLESS OTHERWISE SPECIFIED					
Dr	JOUBERT	1994/05/27	ANGULAR	0.X ±0.1	size A3
Eng	FONTENEAU	1994/05/27	LINEAR	0.XX ±0.1	Scale 5
Chr	LEGARE	1994/05/27	0.XX' ±2'	0.XXX ±0.1	ECN LS09-0006
Appr	LEGARE	1994/05/27	Product family	D-SUB	Spec ref -
FCj		MIL TYPE FIXING BRACKET FOR		Rev. E	
		09 TO 50 SHELL SIZE.		C01-8655-0650	
catalog no		-		CUSTOMER sheet 1 of 1	

REV F - 2006-04-17