



Chipsmall Limited consists of a professional team with an average of over 10 year of expertise in the distribution of electronic components. Based in Hongkong, we have already established firm and mutual-benefit business relationships with customers from,Europe,America and south Asia,supplying obsolete and hard-to-find components to meet their specific needs.

With the principle of “Quality Parts,Customers Priority,Honest Operation,and Considerate Service”,our business mainly focus on the distribution of electronic components. Line cards we deal with include Microchip,ALPS,ROHM,Xilinx,Pulse,ON,Everlight and Freescale. Main products comprise IC,Modules,Potentiometer,IC Socket,Relay,Connector.Our parts cover such applications as commercial,industrial, and automotives areas.

We are looking forward to setting up business relationship with you and hope to provide you with the best service and solution. Let us make a better world for our industry!



Contact us

Tel: +86-755-8981 8866 Fax: +86-755-8427 6832

Email & Skype: info@chipsmall.com Web: www.chipsmall.com

Address: A1208, Overseas Decoration Building, #122 Zhenhua RD., Futian, Shenzhen, China



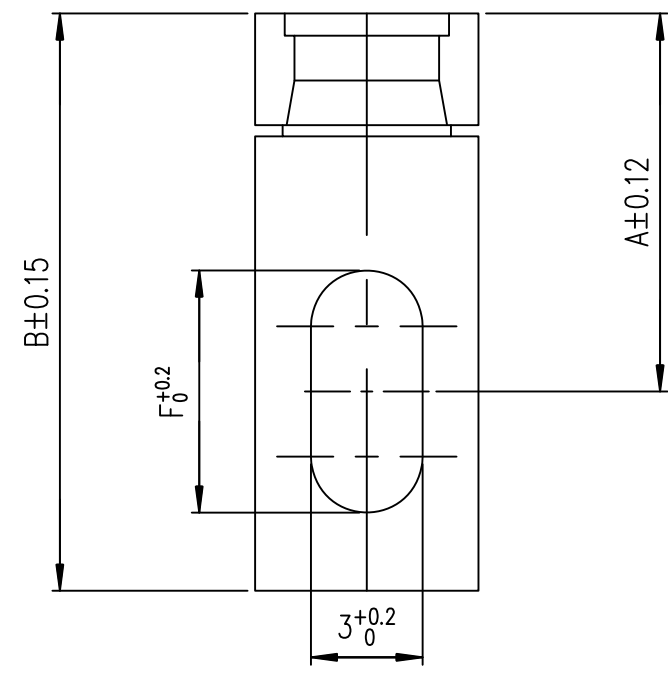
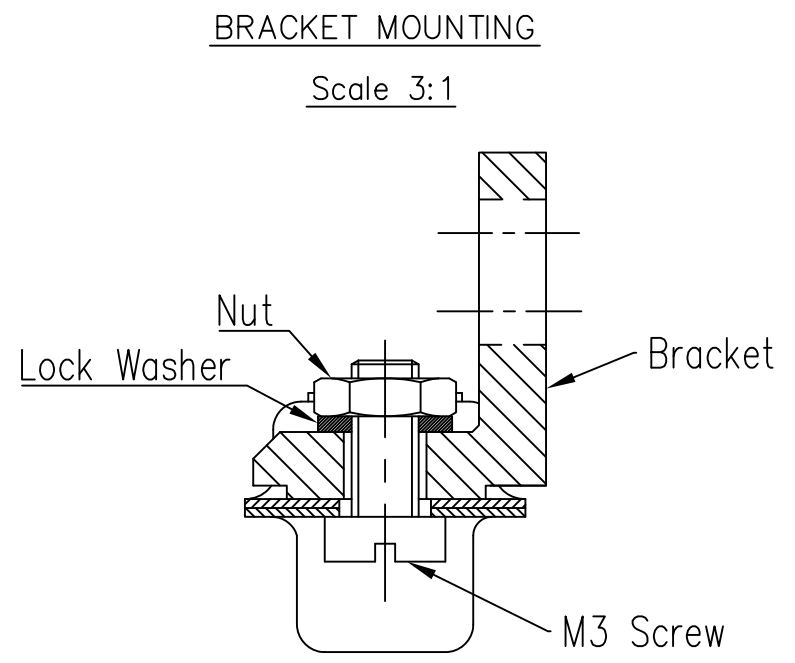
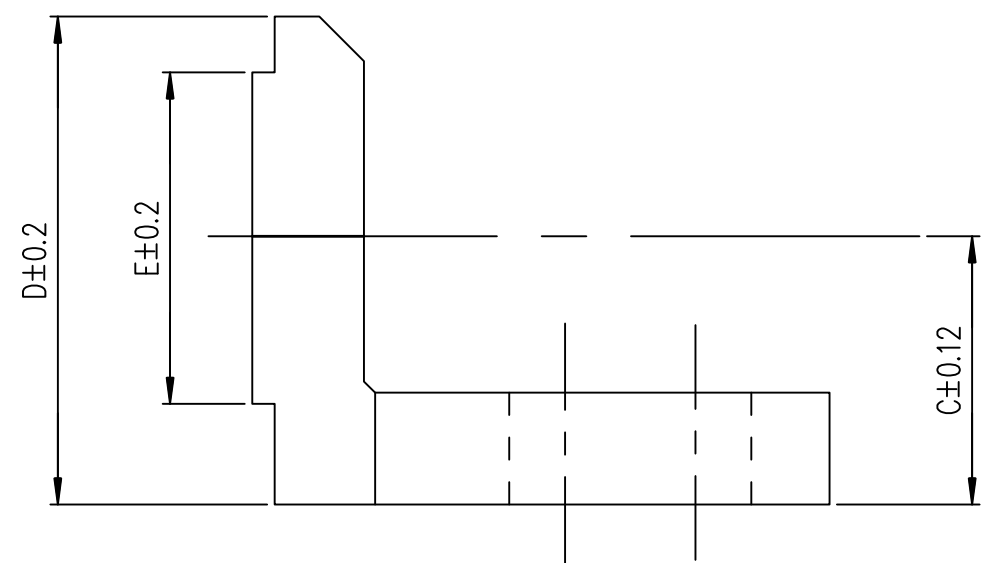
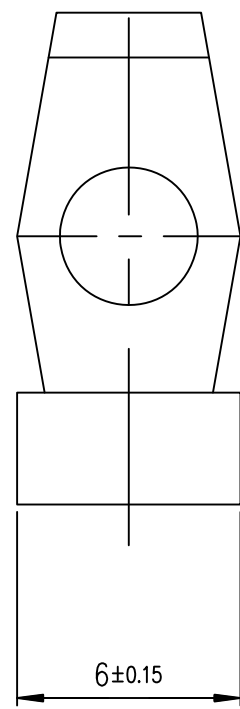
1

2 3

4

5

6



86303715	11.80	17.60	8.60	15.90	10.90	7.4	per 2 pieces
86303714	10.15	15.50	7.20	13.10	8.90	6.5	per 2 pieces
PART NUMBER	A	B	C	D	E	F	PACKAGING

* Kit contains Bracket, Nut, Washer & Screw

mat'l. code		surface ISO 1302 ✓		tolerance ISO 406 ISO 1101		projection MM		product family D-SUB	
ltr	ecn no	dr	date	tolerances unless otherwise specified		title PLASTIC BRACKET WITH ACCESSORIES		dwg no C01-8655-1558	
D	ELX-I-19934	MP	2015/01/09	angles	linear	scale 5:1		sheet 1 of 1 size A3	
				0°±2°	.0±0.1 .00±0.10 .000±0.100	FCJ		type Product Customer Drawing	
dr	MITHUN PAUL	2015/01/09		engr	MITHUN PAUL	2015/01/09			
chr	ALIAS BABU	2015/01/09		appd	BIJU K PAUL	2015/01/09			
sheet index	revision sheet	D	1						



Copyright FCI