



Chipsmall Limited consists of a professional team with an average of over 10 year of expertise in the distribution of electronic components. Based in Hongkong, we have already established firm and mutual-benefit business relationships with customers from,Europe,America and south Asia,supplying obsolete and hard-to-find components to meet their specific needs.

With the principle of “Quality Parts,Customers Priority,Honest Operation,and Considerate Service”,our business mainly focus on the distribution of electronic components. Line cards we deal with include Microchip,ALPS,ROHM,Xilinx,Pulse,ON,Everlight and Freescale. Main products comprise IC,Modules,Potentiometer,IC Socket,Relay,Connector.Our parts cover such applications as commercial,industrial, and automotives areas.

We are looking forward to setting up business relationship with you and hope to provide you with the best service and solution. Let us make a better world for our industry!



## Contact us

Tel: +86-755-8981 8866 Fax: +86-755-8427 6832

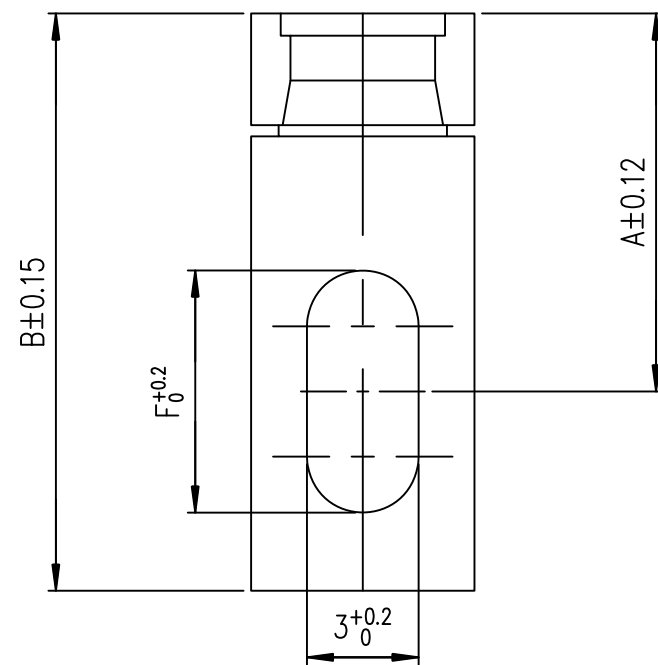
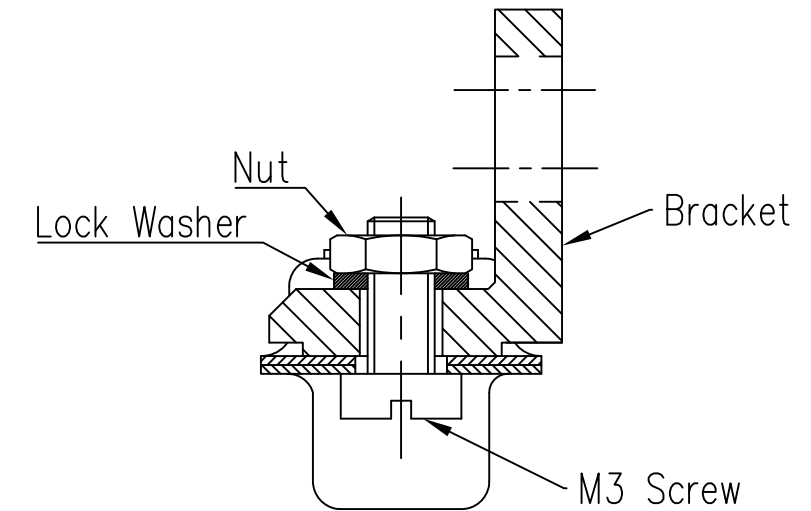
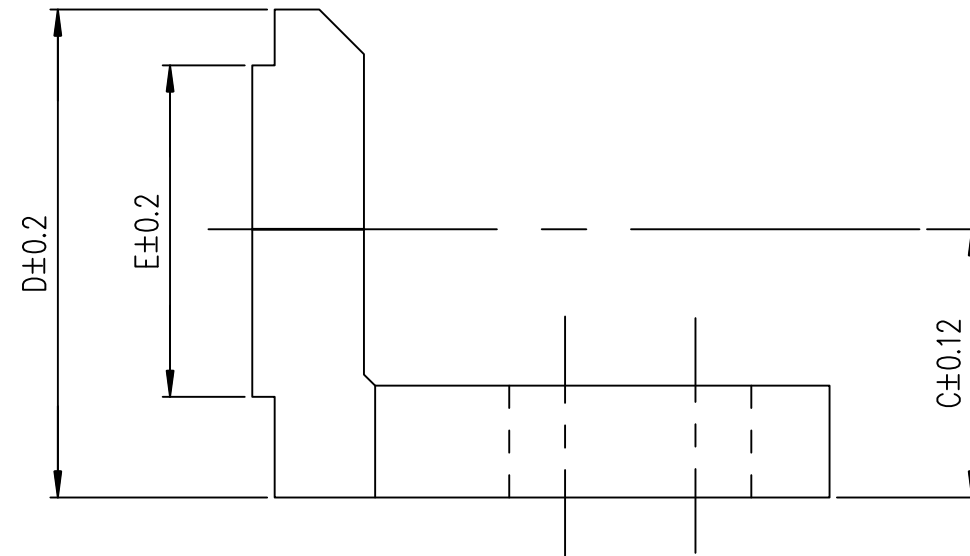
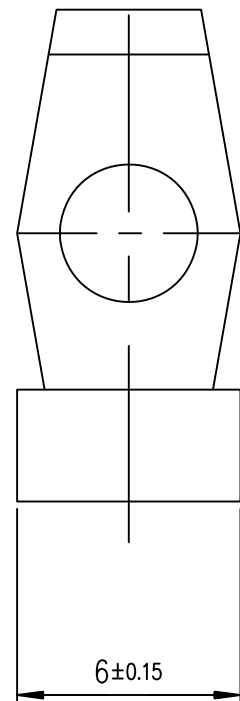
Email & Skype: info@chipsmall.com Web: www.chipsmall.com

Address: A1208, Overseas Decoration Building, #122 Zhenhua RD., Futian, Shenzhen, China



BRACKET MOUNTING

Scale 3:1



86303715LF	11.80	17.60	8.60	15.90	10.90	7.4	per 2 pieces
86303714LF	10.15	15.50	7.20	13.10	8.90	6.5	per 2 pieces
PART NUMBER	A	B	C	D	E	F	PACKAGING

\* Kit contains Bracket, Nut, Washer & Screw

NOTE1:RoHS INFORMATIONS

- The "LF" product meets European union Directives and other country regulations as described in GS-47-0004.
- The product is not intended to be exposed to a manufacturing solder process.
- Plating: Zinc Cr3+, white color.
- Packaging spec: see GS-14-920.

mat'l. code				surface ISO 1302 ✓		tolerance ISO 406 ISO 1101		projection MM		product family D-SUB	
ltr	ecn no	dr	date	tolerances unless otherwise specified				title PLASTIC BRACKET WITH ACCESSORIES			
C	ELX-I-19934	MP	2015/01/09	angles	linear	.0±0.1 .00±0.10 .000±0.100		scale 5:1		dwg no C01-8655-1667	
				dr	MITHUN PAUL	2015/01/09		sheet 1 of 1		size A3	
				engr	MITHUN PAUL	2015/01/09		FCI		type Product Customer Drawing	
				chr	ALIAS BABU	2015/01/09					
				appd	BIJU K PAUL	2015/01/09					
sheet index	revision sheet	C	1								



Copyright FCI