



Chipsmall Limited consists of a professional team with an average of over 10 year of expertise in the distribution of electronic components. Based in Hongkong, we have already established firm and mutual-benefit business relationships with customers from,Europe,America and south Asia,supplying obsolete and hard-to-find components to meet their specific needs.

With the principle of “Quality Parts,Customers Priority,Honest Operation,and Considerate Service”,our business mainly focus on the distribution of electronic components. Line cards we deal with include Microchip,ALPS,ROHM,Xilinx,Pulse,ON,Everlight and Freescale. Main products comprise IC,Modules,Potentiometer,IC Socket,Relay,Connector.Our parts cover such applications as commercial,industrial, and automotives areas.

We are looking forward to setting up business relationship with you and hope to provide you with the best service and solution. Let us make a better world for our industry!



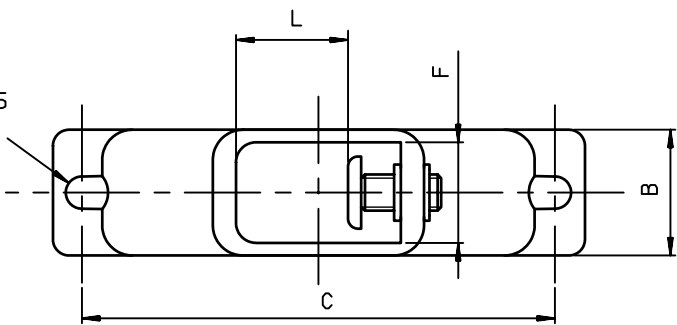
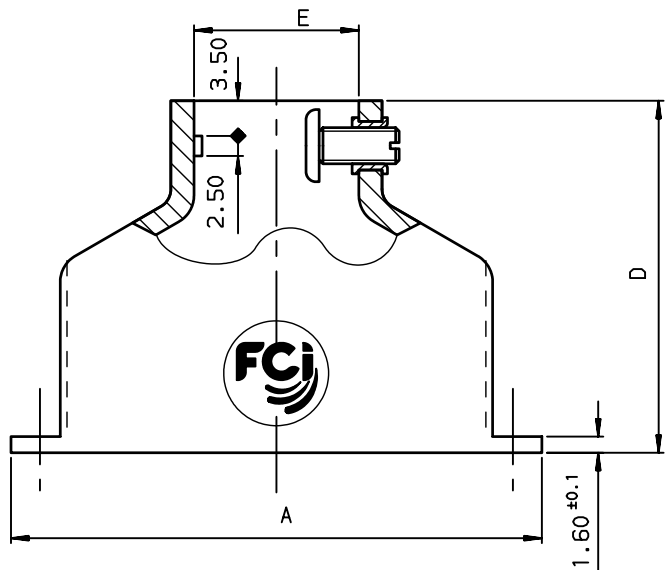
Contact us

Tel: +86-755-8981 8866 Fax: +86-755-8427 6832

Email & Skype: info@chipsmall.com Web: www.chipsmall.com

Address: A1208, Overseas Decoration Building, #122 Zhenhua RD., Futian, Shenzhen, China





MATERIAL:
Thermoplastic

TEMPERATURE RANGE:
- Climatic category -55°/ +125°

PACKAGING:
Per 100 pieces

COLOUR
Black

WITH SCREW AND PLATE STRAIN RELIEF

Shell size	Number of contacts	A ^{+0.9 -0.2}	B ^{+0.10 0}	C ^{±0.05}	D ^{±0.10}	E ^{±0.10}	F ^{±0.10}	L _{maxi}	L _{mini}	PART NUMBER
E	09	30.60	12.50	24.99	29.00	9.99	9.99	6.60	1.90	86303920ALF
A	15	38.90	12.50	33.32	29.00	11.99	9.99	8.60	3.90	86303921ALF
B	25	52.80	12.50	47.04	35.00	16.40	9.99	13.10	8.40	86303922ALF
C	37	69.10	12.50	63.50	41.00	23.49	9.99	20.30	8.50	86303923ALF
D	50	66.70	15.30	61.11	41.00	23.49	12.79	20.10	8.30	86303924ALF

NOTE1:RoHS INFORMATIONS

- The "LF" product meets European union Directives and other country regulations as described in GS-22-008.
- The product is not intended to be exposed to a manufacturing solder process.
- Plating: Zinc Cr3+, white color.
- Packaging spec: see GS-14-920.

European Views

www.fciconnect.com			surface ISO 1302 ✓	tolerance std ISO 406 ISO 1101	projection ⊕	mm
TOLERANCES UNLESS OTHERWISE SPECIFIED						
Dr	GOISNARD	2006/01/12	ANGULAR	0.X	±0.1	size A3
Eng	PESSON	2006/01/12	LINEAR	0.XX	±0.1	
Chr	LEGARE	2006/01/12	0.XX' ±2'	0.XXX	±0.1	Scale 2
Appr	LEGARE	2006/01/12	Product family		D-SUB	ECN LS09-0006
Title POTTING PLASTIC HOODS straight exit						Spec ref -
catalog no -						dwg no C01-8655-1649
						Rev. C
						CUSTOMER sheet 1 of 1

rev	ecn no	dr	date
A	LS05-0123	LGO	2006/01/12
B	LS06-0095	LGO	2006/06/24
C	LS09-0006	MPE	2009/01/08
-	-	-	-
-	-	-	-
-	-	-	-