



Chipsmall Limited consists of a professional team with an average of over 10 year of expertise in the distribution of electronic components. Based in Hongkong, we have already established firm and mutual-benefit business relationships with customers from,Europe,America and south Asia,supplying obsolete and hard-to-find components to meet their specific needs.

With the principle of “Quality Parts,Customers Priority,Honest Operation,and Considerate Service”,our business mainly focus on the distribution of electronic components. Line cards we deal with include Microchip,ALPS,ROHM,Xilinx,Pulse,ON,Everlight and Freescale. Main products comprise IC,Modules,Potentiometer,IC Socket,Relay,Connector.Our parts cover such applications as commercial,industrial, and automotives areas.

We are looking forward to setting up business relationship with you and hope to provide you with the best service and solution. Let us make a better world for our industry!



Contact us

Tel: +86-755-8981 8866 Fax: +86-755-8427 6832

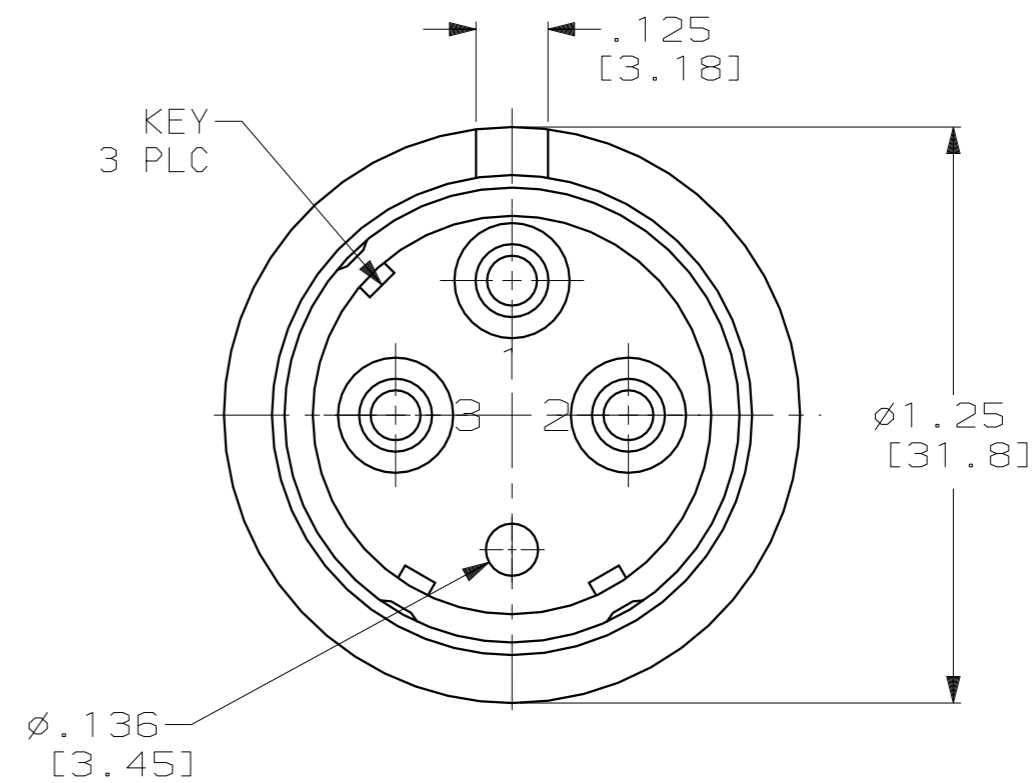
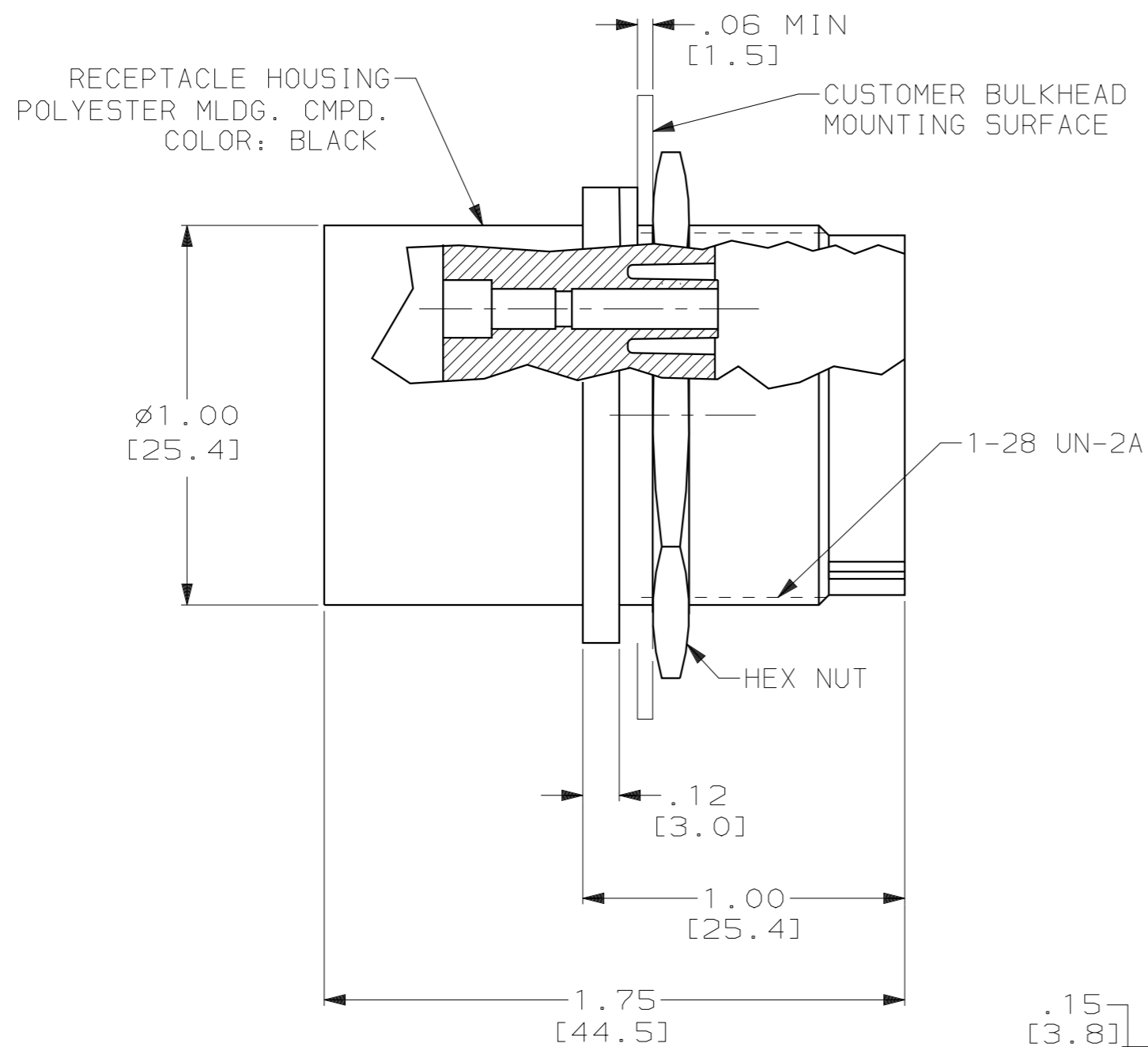
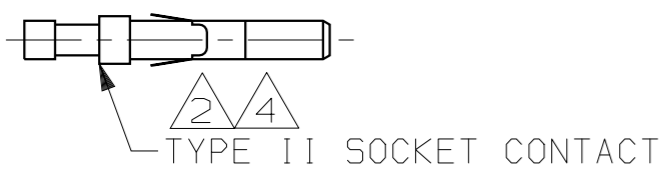
Email & Skype: info@chipsmall.com Web: www.chipsmall.com

Address: A1208, Overseas Decoration Building, #122 Zhenhua RD., Futian, Shenzhen, China

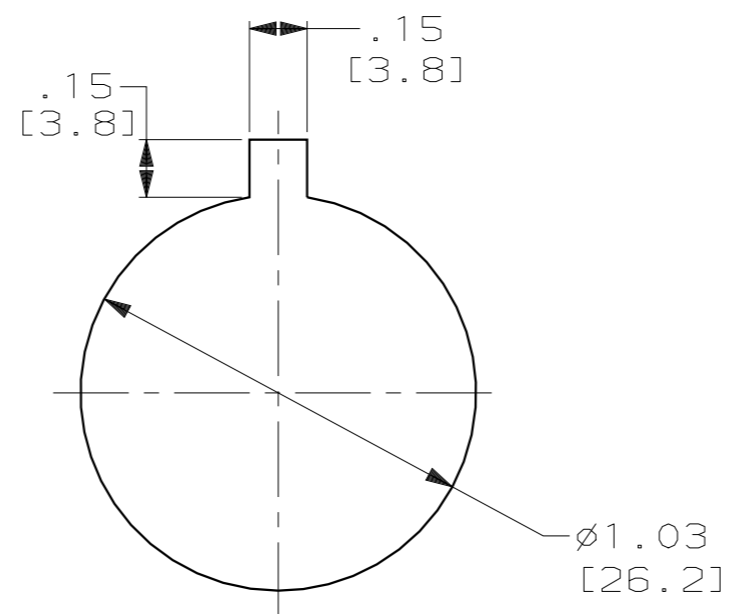


THIS DRAWING IS UNPUBLISHED. RELEASED FOR PUBLICATION
 BY AMP INCORPORATED. ALL RIGHTS RESERVED.

PROD CODE	LOC	DIST	REVISIONS					
			P	LTR	DESCRIPTION	DATE	DWN	APVD
4085	DF	50	D		REV & REDRAWN; 0600-4242-95 CT	9-95	CT	SG



VIEW SHOWN WITHOUT HEX NUT



- MARKED PER MIL-STD-130.
- CONTACTS AND RECEPTACLES ARE PACKAGED SEPARATELY.
- RECEPTACLE WILL WITHSTAND WITHOUT BREAKDOWN 27 KVDC PIN TO PIN AND 27 KVDC PIN TO GROUND WHEN MATED WITH AMP P/N 863055.
- 863054-4 IS SUPPLIED WITHOUT CONTACTS.
- SEE I.S. 408-9169 FOR ASSEMBLY INSTRUCTION.

REMARKS	HAND TOOL #	WIRE SIZE RANGE	PART NO.
4	-	-	863054-4
OBSOLETE	45098	14	863054-3
OBSOLETE	45098	16, 18	863054-2
-	45099	20, 22, 24	863054-1

<small>THIS DRAWING IS A CONTROLLED DOCUMENT FOR AMP INCORPORATED. IT IS SUBJECT TO CHANGE AND THE CONTROLLING ENGINEERING ORGANIZATION SHOULD BE CONTACTED FOR THE LATEST REVISION.</small>		DWN C.C. THOMAS 9-18-95	AMP Incorporated Harrisburg, PA 17105-3608
DIMENSIONS: INCHES [mm]		CHK S. GLATFELTER 9-21-95	
		APVD S. GLATFELTER 9-21-95	NAME S. GLATFELTER
TOLERANCES UNLESS OTHERWISE SPECIFIED: 0 PLC ±- 1 PLC ±- 2 PLC ±.04 [1.0] 3 PLC ±.015 [0.38] 4 PLC ±- ANGLES ±- FINISH -		PRODUCT SPEC -	APPLICATION SPEC -
MATERIAL -		WEIGHT -	SIZE A2
		CUSTOMER DRAWING	CAGE CODE 00779
			DRAWING NO. C=863054
			SCALE 2:1
			SHEET 1 OF 1
			REV D

863054