



Chipsmall Limited consists of a professional team with an average of over 10 year of expertise in the distribution of electronic components. Based in Hongkong, we have already established firm and mutual-benefit business relationships with customers from,Europe,America and south Asia,supplying obsolete and hard-to-find components to meet their specific needs.

With the principle of “Quality Parts,Customers Priority,Honest Operation,and Considerate Service”,our business mainly focus on the distribution of electronic components. Line cards we deal with include Microchip,ALPS,ROHM,Xilinx,Pulse,ON,Everlight and Freescale. Main products comprise IC,Modules,Potentiometer,IC Socket,Relay,Connector.Our parts cover such applications as commercial,industrial, and automotives areas.

We are looking forward to setting up business relationship with you and hope to provide you with the best service and solution. Let us make a better world for our industry!



Contact us

Tel: +86-755-8981 8866 Fax: +86-755-8427 6832

Email & Skype: info@chipsmall.com Web: www.chipsmall.com

Address: A1208, Overseas Decoration Building, #122 Zhenhua RD., Futian, Shenzhen, China



1

2

3

4

TECHNICAL CHARACTERISTICS :

Screw locks: brass, tin plated .

Locking washer: steel, tin plated .

Nuts : steel, tin plated .

Packaging : per 100 pieces .

Corrosion resistance : 50 hour exposure to salt spray .

For the plating codification see GS-15-005

A

B

C

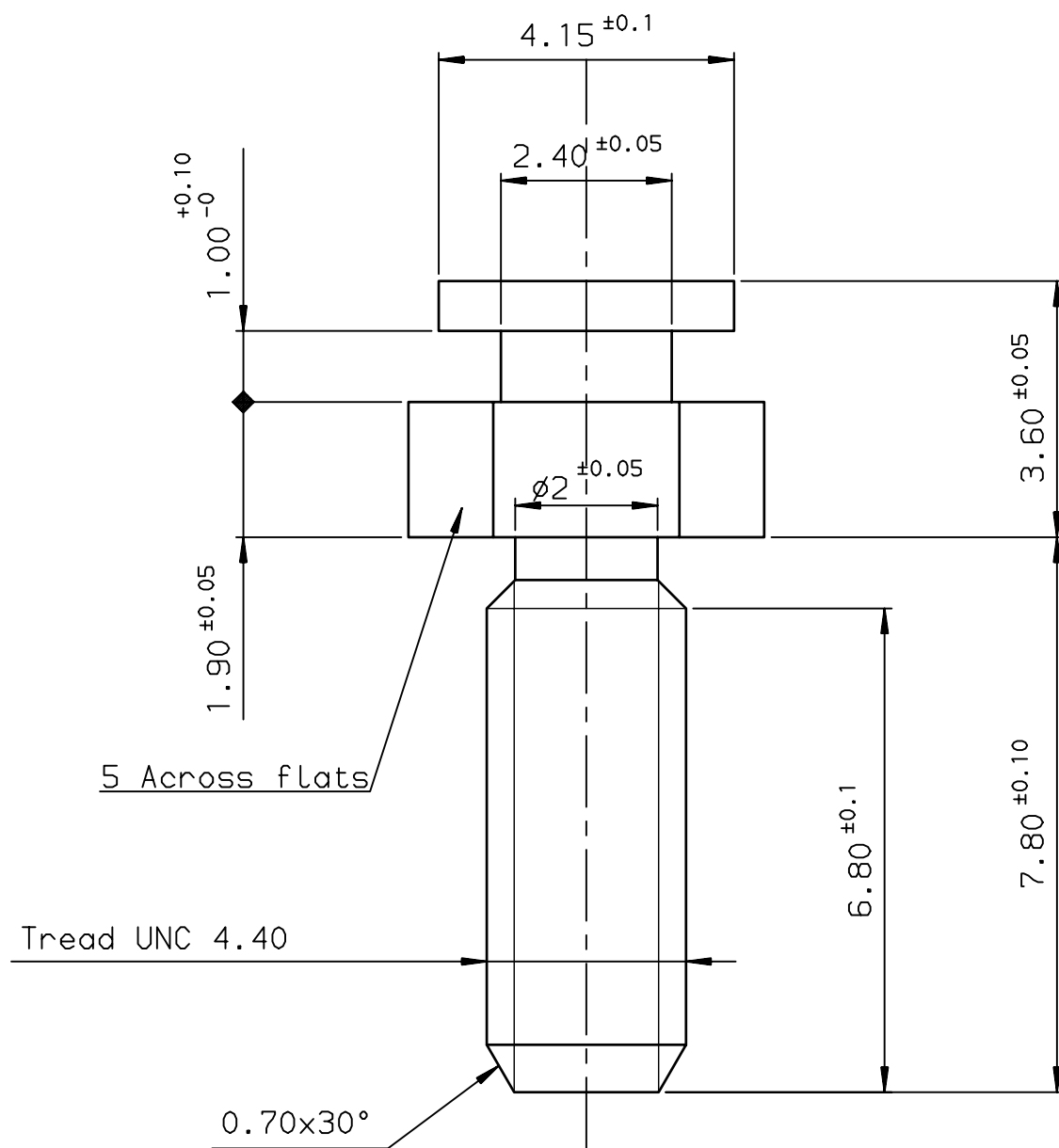
D

A

B

C

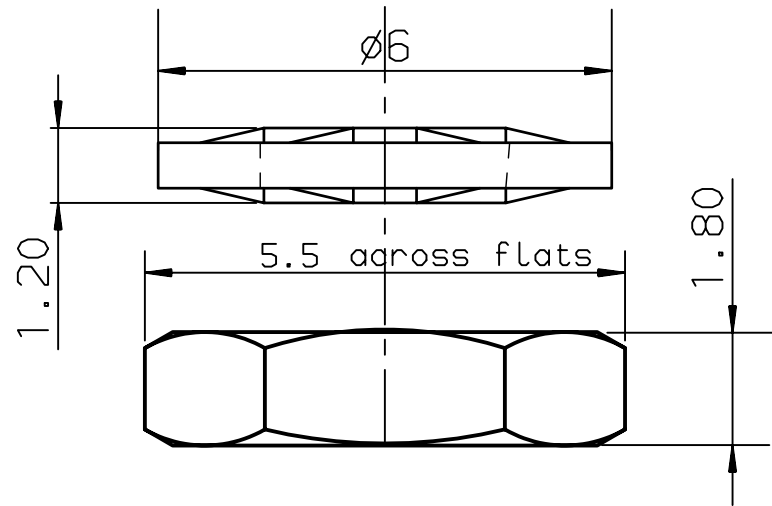
D



NOTE:RoHS INFORMATIONS

- The "LF" products meet European union Directives and other country regulations as described in GS-22-008.
- Plating Sn (pure bright) over copper

TIN LEAD PART NUMBER 86308278T
 LEAD FREE PART NUMBER 86308278TLF



rev	ecn no	dr	date
B	LS05-0026	LMA	2005/02/09
C	LS06-0208	LGO	2006/12/12
-	-	-	-
-	-	-	-
-	-	-	-
-	-	-	-

www.fciconnect.com		surface ISO 1302 ✓	tolerance std ISO 406 ISO 1101	projection mm
TOLERANCES UNLESS OTHERWISE SPECIFIED				
Dr	MASSON	2000/08/08	ANGULAR	0.X ±0.1
Eng	MASSON	2000/08/08	LINEAR	0.XX ±0.1
Chr	M PESSON	2000/08/08	0.XX' ±2'	0.XXX ±0.1
Appr	LEGARE	2000/08/08	Product family	D-SUB
title MOUNTING POSTS				size A3
catalog no				Scale 10
dwg no C01-8655-1543				ECN LS06-0208
Rev. C				Spec ref -
CUSTOMER				sheet 1 of 1

European Views



Copyright FCI.

1

2

3

PDM: Rev:C

STATUS:Released

Printed: Jan 18, 2011