



Chipsmall Limited consists of a professional team with an average of over 10 year of expertise in the distribution of electronic components. Based in Hongkong, we have already established firm and mutual-benefit business relationships with customers from,Europe,America and south Asia,supplying obsolete and hard-to-find components to meet their specific needs.

With the principle of “Quality Parts,Customers Priority,Honest Operation,and Considerate Service”,our business mainly focus on the distribution of electronic components. Line cards we deal with include Microchip,ALPS,ROHM,Xilinx,Pulse,ON,Everlight and Freescale. Main products comprise IC,Modules,Potentiometer,IC Socket,Relay,Connector.Our parts cover such applications as commercial,industrial, and automotives areas.

We are looking forward to setting up business relationship with you and hope to provide you with the best service and solution. Let us make a better world for our industry!



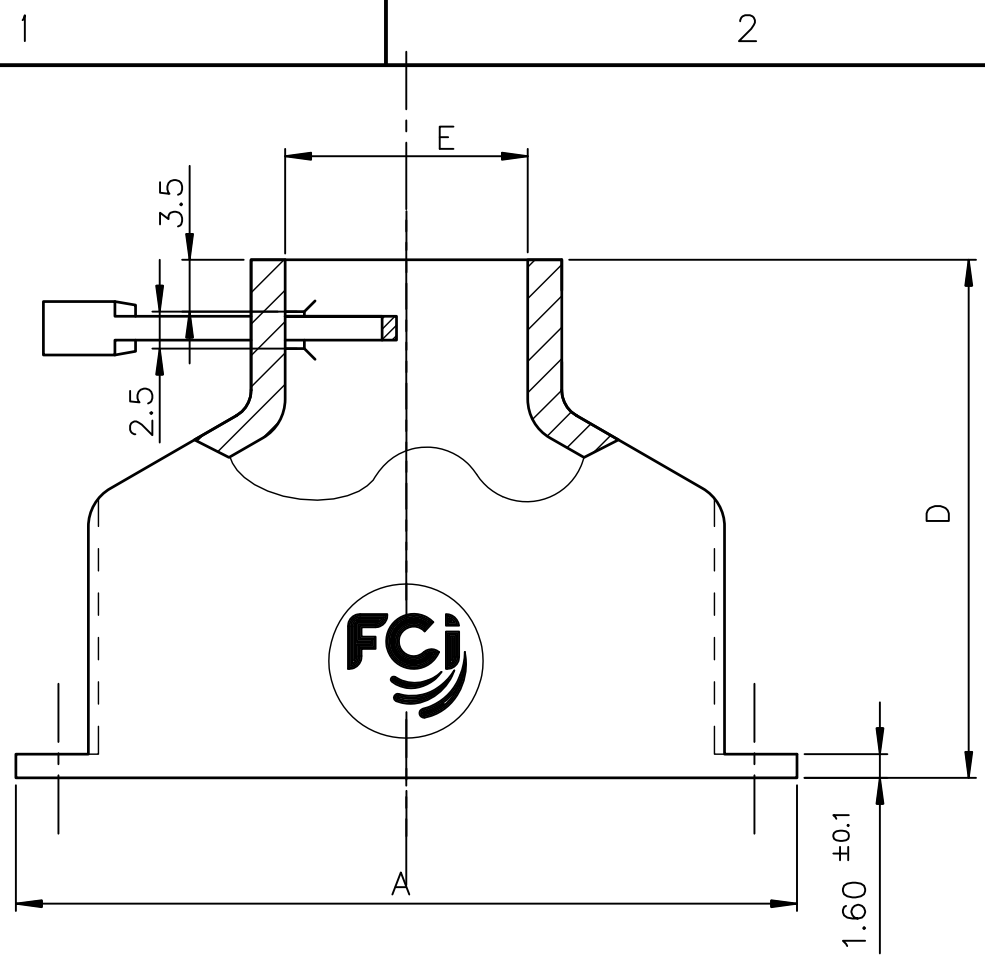
Contact us

Tel: +86-755-8981 8866 Fax: +86-755-8427 6832

Email & Skype: info@chipsmall.com Web: www.chipsmall.com

Address: A1208, Overseas Decoration Building, #122 Zhenhua RD., Futian, Shenzhen, China

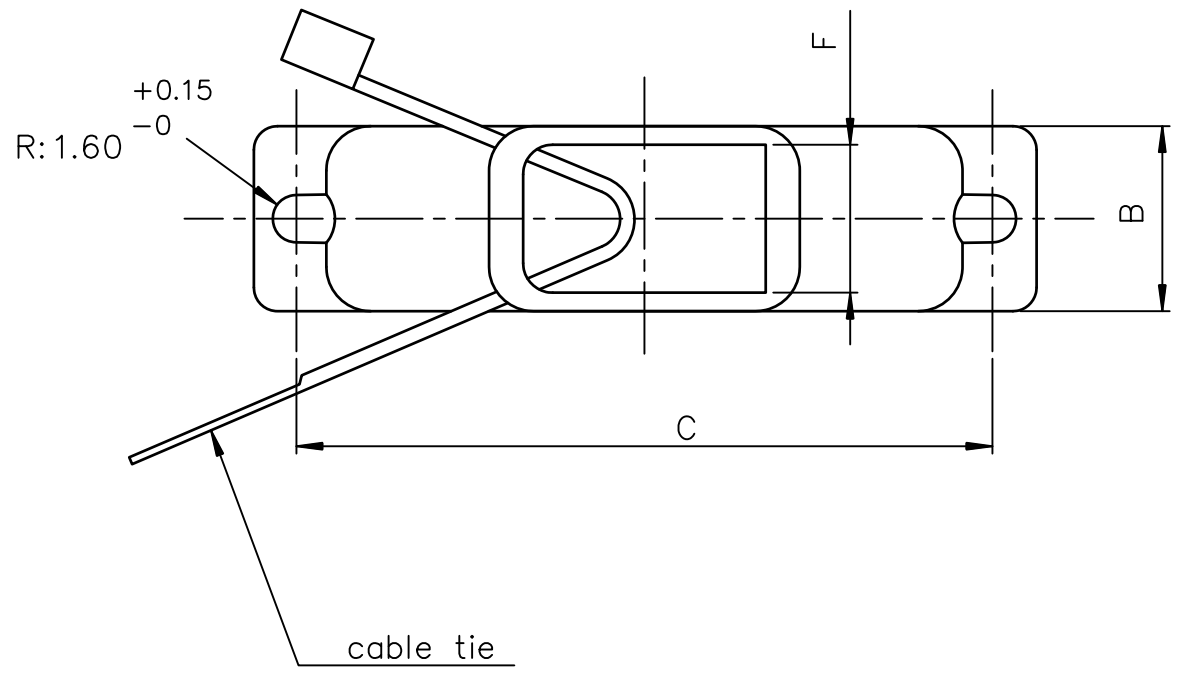




MATERIAL:
Thermoplastic

TEMPERATURE RANGE:
- Climatic category -55' / +125'

COLOUR
Black



Dimensions are in millimeters

Shell size	Number of contacts	A ^{+0.9} _{-0.2}	B ^{+0.10} ₀	C ^{±0.05}	D ^{±0.10}	E ^{±0.10}	F ^{±0.10}	PART NUMBER	PART NUMBER
E	09	30.60	12.50	25	29.00	9.99	9.99	863086BLF	863086B10LF
A	15	38.90	12.50	33.32	29.00	11.99	9.99	863021BLF	863021B10LF
B	25	52.80	12.50	47.05	35.00	16.40	9.99	863022BLF	863022B10LF
C	37	69.10	12.50	63.50	41.00	23.49	9.99	863023BLF	863023B10LF
D	50	66.70	15.30	61.10	41.00	23.49	12.79	863024BLF	863024B10LF
								Packaging per 100 pieces	Packaging per 10 pieces



Copyright FCI.

NOTE: RoHS INFORMATIONS

- The "LF" product meets European union Directives and other country regulations as described in GS-22-008.
- The product is not intended to be exposed to a manufacturing solder process.
- Packaging spec: see GS-14-920.

rev	ecn no	dr	date
A	LS05-0086	MPE	2005/10/14
B	LS06-0095	LGO	2006/06/23
C	LS09-0006	PCR	2009/01/08
D	I11-0056	AMR	2011/03/19
-	-	-	-
-	-	-	-
-	-	-	-

www.fciconnect.com		surface ISO 1302 ✓	tolerance std ISO 406 ISO 1101	projection	mm
TOLERANCES UNLESS OTHERWISE SPECIFIED					
Dr	MASSON	2005/10/14	ANGULAR	0.X	±0.1
Eng	PESSON	2005/10/14	LINEAR	0.XX	±0.1
Chr	ABHILASH	2011/03/19	0.XX ±2	0.XXX	±0.1
Appr	SUDHIR	2011/03/19	Product family	D-SUB	Spec ref -
FCi		title MONOBLOC PLASTIC HOODS FOR POTTING		dwg no C01-8655-1619	
		straight exit		Rev. D	
		catalog no -		CUSTOMER sheet 1 of 1	