



Chipsmall Limited consists of a professional team with an average of over 10 year of expertise in the distribution of electronic components. Based in Hongkong, we have already established firm and mutual-benefit business relationships with customers from,Europe,America and south Asia,supplying obsolete and hard-to-find components to meet their specific needs.

With the principle of “Quality Parts,Customers Priority,Honest Operation,and Considerate Service”,our business mainly focus on the distribution of electronic components. Line cards we deal with include Microchip,ALPS,ROHM,Xilinx,Pulse,ON,Everlight and Freescale. Main products comprise IC,Modules,Potentiometer,IC Socket,Relay,Connector.Our parts cover such applications as commercial,industrial, and automotives areas.

We are looking forward to setting up business relationship with you and hope to provide you with the best service and solution. Let us make a better world for our industry!



Contact us

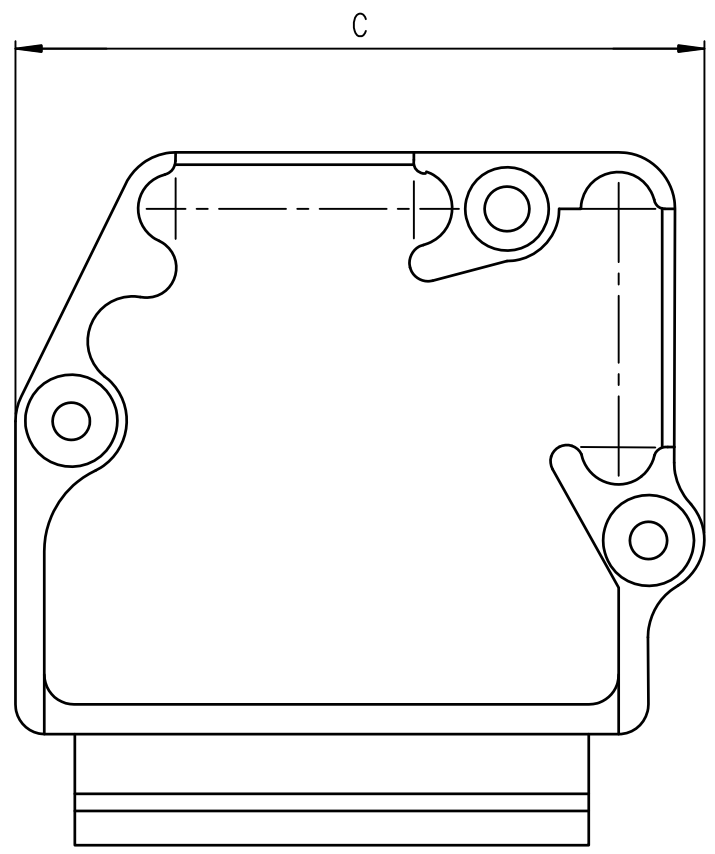
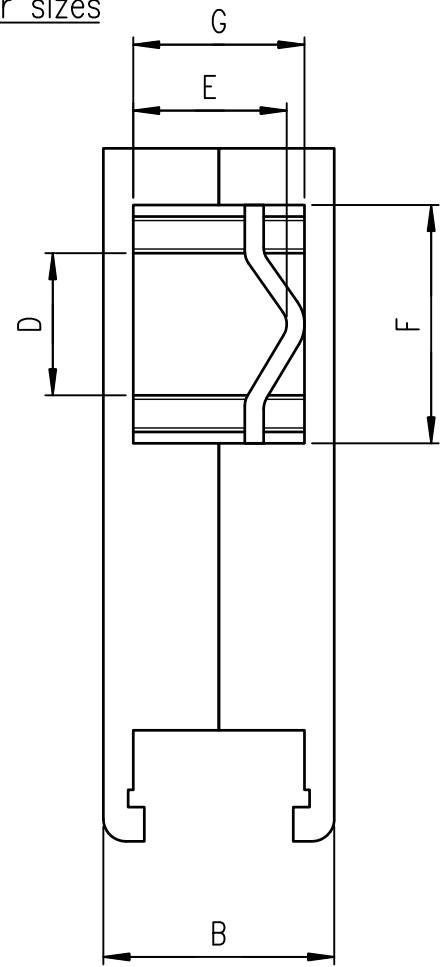
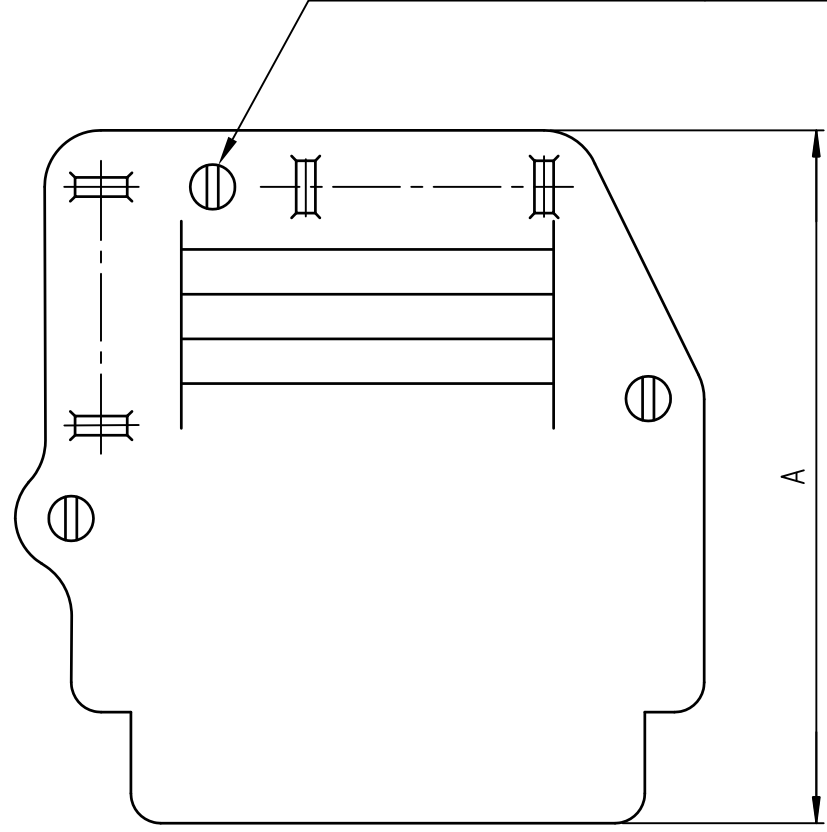
Tel: +86-755-8981 8866 Fax: +86-755-8427 6832

Email & Skype: info@chipsmall.com Web: www.chipsmall.com

Address: A1208, Overseas Decoration Building, #122 Zhenhua RD., Futian, Shenzhen, China



2 Screws for sizes 9&15, 3 for other sizes



MATERIAL:
thermoplastic

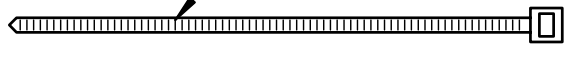
TEMPERATURE RANGE:
- Climatic category -55°/ +95°

PACKAGING:
Box of 50 individual sets



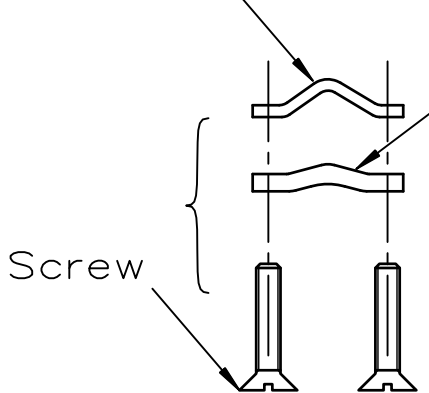
FCIconnect.com

Tie-Wrap



CLAMP FOR SIZES 25, 37 & 50

CLAMP FOR SIZES 9 & 15



Bill of material		
components	Hood kit	Kit for 2 exit use
1/2 Hood	2	0
Screw	2	2
Tapping Screw	3	0
Tie Wrap	1	1
Clamp	1	1

Shell size	Number of contacts	A±0.3	B±0.3	C±0.3	With clamp		Without clamp		PART NUMBER		
					D±0.2	E		F±0.5	G±0.5	Black hood	Kit for 2 exit use *
						mini	maxi				
E	09	29.80	15.50	24.25	6.00	0.25	10.30	8.00	11.70	863093C09ALF	863093CEALF
A	15	29.80	15.50	32.50	6.00	0.25	10.30	8.00	11.70	863093C15ALF	
B	25	46.80	15.50	46.00	13.90	2.30	10.30	16.20	11.70	863093C25ALF	863093CBCLF
C	37	46.80	15.50	60.50	13.90	2.30	10.30	16.20	11.70	863093C37ALF	
D	50	48.80	18.00	56.50	15.60	3.90	12.60	18.00	14.00	863093C50ALF	863093CDLF

Dimensions are in millimeters * additional accessories to be ordered separately

NOTE: RoHS INFORMATIONS

- The "LF" product meets European union Directives and other country regulations as described in GS-47-0004.
- The product is not intended to be exposed to a manufacturing solder process.
- Packaging spec: see GS-14-920.

mat'l. code		surface		tolerance		projection		product family	
-		ISO 1302 ✓		ISO 406 ISO 1101				D-SUB	
ltr		ecn no		dr		date		title	
H		ELX-I-15087		MP		2013/06/27		UNIVERSAL PLASTIC HOOD	
J		ELX-I-15253		MP		2013/07/16		-	
-		-		-		-		-	
D		LS07-0321		MPE		2007/12/19		dr	
E		I09-0117		AMR		2009/06/26		engr	
F		I09-0161		AMR		2009/08/13		chr	
G		I11-0091		AMR		2011-05-14		appd	
sheet index		revision sheet		J		1		scale 2	
								dwg no sheet 1 of 1 size 5 C01-8655-1617 A3 type CUSTOMER Drawing	