



Chipsmall Limited consists of a professional team with an average of over 10 year of expertise in the distribution of electronic components. Based in Hongkong, we have already established firm and mutual-benefit business relationships with customers from,Europe,America and south Asia,supplying obsolete and hard-to-find components to meet their specific needs.

With the principle of “Quality Parts,Customers Priority,Honest Operation,and Considerate Service”,our business mainly focus on the distribution of electronic components. Line cards we deal with include Microchip,ALPS,ROHM,Xilinx,Pulse,ON,Everlight and Freescale. Main products comprise IC,Modules,Potentiometer,IC Socket,Relay,Connector.Our parts cover such applications as commercial,industrial, and automotives areas.

We are looking forward to setting up business relationship with you and hope to provide you with the best service and solution. Let us make a better world for our industry!



Contact us

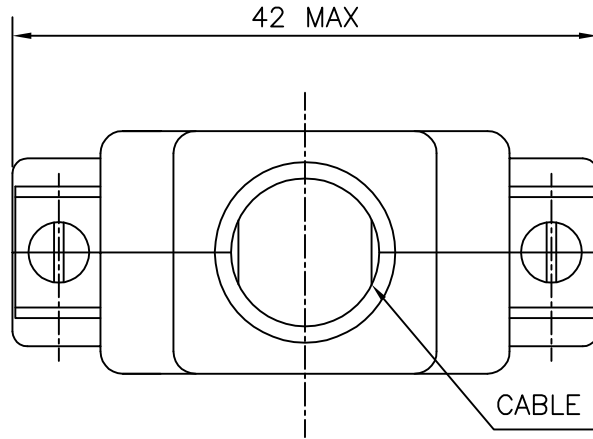
Tel: +86-755-8981 8866 Fax: +86-755-8427 6832

Email & Skype: info@chipsmall.com Web: www.chipsmall.com

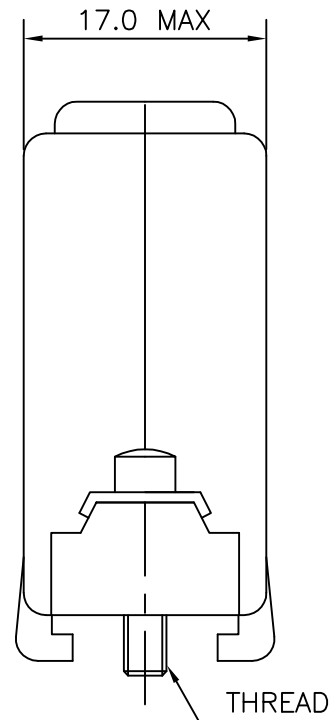
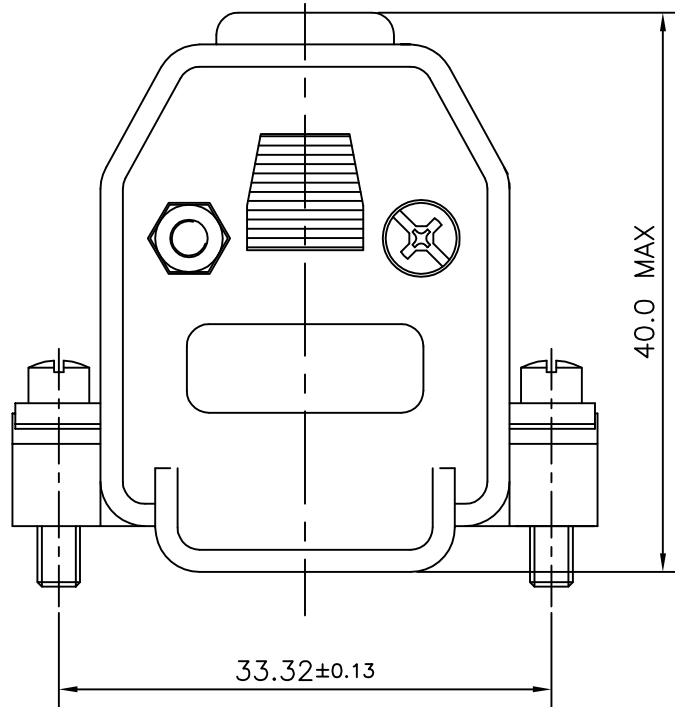
Address: A1208, Overseas Decoration Building, #122 Zhenhua RD., Futian, Shenzhen, China



2	8630-CH15UNCLF	UNC 440
1	8630-CH15M3LF	M3
SL.NO.	PART NO:	THREAD



CABLE ENTRY ϕ 10MAX.



Amphenol
FCi

© 2016 AFCI

"This LF product meets European Union Directives and other country regulations as described in GS-47-0004"

Packaging as per GS-14-920

MATERIALS:
1.ABS UNFILLED UL 94 HB (STANDARD)
2.TEMP RANGE -55°C TO +85°C

mat'l. code				surface		tolerance		projection		product family							
-				ISO 1302 <input checked="" type="checkbox"/>		ISO 406 ISO 1101				D-SUB							
ltr ecn no dr date				tolerances unless otherwise specified						title							
H ELX-I-25452 GREGAR 2016-11-25				angles		linear		mm		CONNECTOR HOOD 15 POS							
				0° ± 1'		.00 ± 0.1		scale NTS									
				dr		engr		chr		appd		dwg no		sheet 1 of 1		size	
				MINI K VANDANATH 1995-24-03		MITHUN PAUL 2016-11-25		GREGAR MATHEW 2016-11-25		BIJU K PAUL 2016-11-25		C-DSUB-0023		A4			
												type		Product Customer Drawing			
sheet index		revision sheet		H													
		1															