



Chipsmall Limited consists of a professional team with an average of over 10 year of expertise in the distribution of electronic components. Based in Hongkong, we have already established firm and mutual-benefit business relationships with customers from,Europe,America and south Asia,supplying obsolete and hard-to-find components to meet their specific needs.

With the principle of “Quality Parts,Customers Priority,Honest Operation,and Considerate Service”,our business mainly focus on the distribution of electronic components. Line cards we deal with include Microchip,ALPS,ROHM,Xilinx,Pulse,ON,Everlight and Freescale. Main products comprise IC,Modules,Potentiometer,IC Socket,Relay,Connector.Our parts cover such applications as commercial,industrial, and automotives areas.

We are looking forward to setting up business relationship with you and hope to provide you with the best service and solution. Let us make a better world for our industry!



Contact us

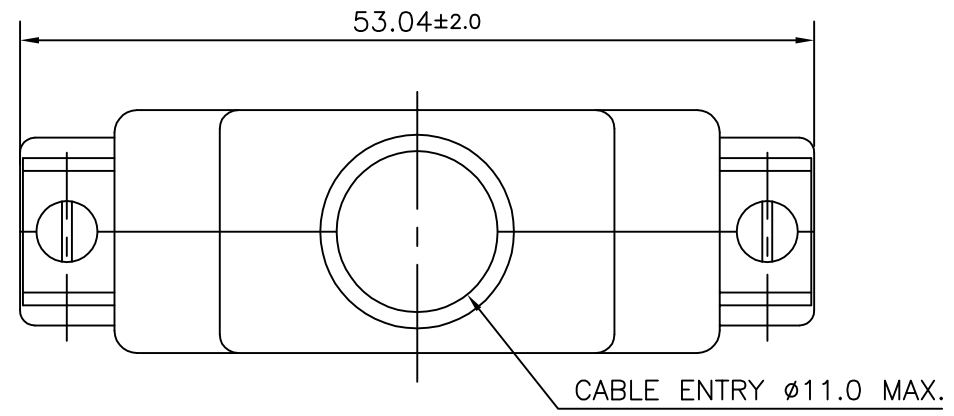
Tel: +86-755-8981 8866 Fax: +86-755-8427 6832

Email & Skype: info@chipsmall.com Web: www.chipsmall.com

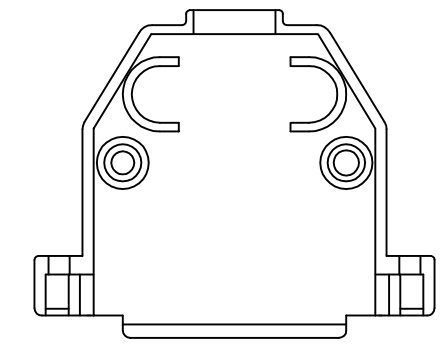
Address: A1208, Overseas Decoration Building, #122 Zhenhua RD., Futian, Shenzhen, China



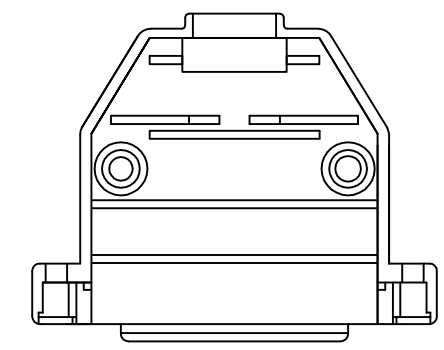
2	8630-CH25UNCLF	UNC 440
1	8630-CH25M3LF	M3
SL.NO.	PART NO:	THREAD



HOOD INTERNAL VIEW

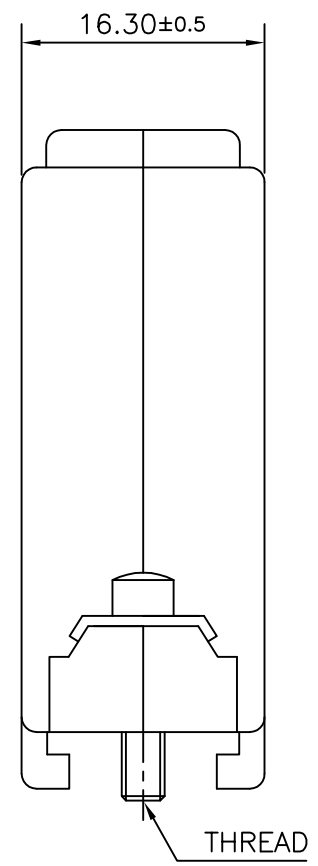
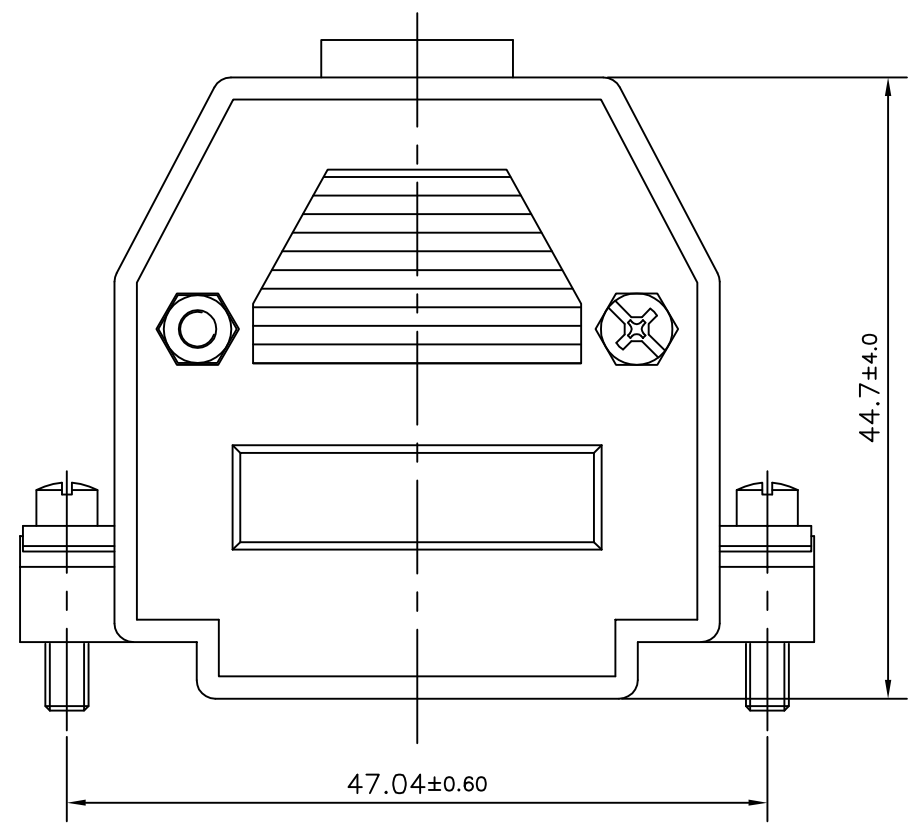


OPTION 1*



OPTION 2*

* Hood can be of either Option 1 or Option 2



Amphenol FCI

© 2016 AFCl

"This LF product meets European Union Directives and other country regulations as described in GS-47-0004"

MATERIALS:
1.ABS UNFILLED UL 94 HB (STANDARD)
2.TEMP RANGE -55°C TO +85°C

Packaging as per GS-14-920

mat'l. code				surface ISO 1302 ✓		tolerance ISO 406 ISO 1101		projection MM		product family D-SUB	
ltr				ecn no		dr		date		title	
E				I06-0074		MINI		2006/06/08		CONNECTOR HOOD	
F				I10-0122		AMR		2010/05/29		25 POSITION	
G				I10-0231		AMR		2010/11/27		scale NTS	
H				ELX-I-15622		MP		2013/08/24		dwg no	
J				ELX-I-21747		MP		2015/08/22		sheet 1 of 1	
K				ELX-I-25452		GREGAR		2016-11-25		size	
L				ELX-I-27699		GREGAR		2017-08-12		A3	
sheet				revision		L				type	
index				sheet		1				Product Customer Drawing	