



Chipsmall Limited consists of a professional team with an average of over 10 year of expertise in the distribution of electronic components. Based in Hongkong, we have already established firm and mutual-benefit business relationships with customers from,Europe,America and south Asia,supplying obsolete and hard-to-find components to meet their specific needs.

With the principle of “Quality Parts,Customers Priority,Honest Operation,and Considerate Service”,our business mainly focus on the distribution of electronic components. Line cards we deal with include Microchip,ALPS,ROHM,Xilinx,Pulse,ON,Everlight and Freescale. Main products comprise IC,Modules,Potentiometer,IC Socket,Relay,Connector.Our parts cover such applications as commercial,industrial, and automotives areas.

We are looking forward to setting up business relationship with you and hope to provide you with the best service and solution. Let us make a better world for our industry!



Contact us

Tel: +86-755-8981 8866 Fax: +86-755-8427 6832

Email & Skype: info@chipsmall.com Web: www.chipsmall.com

Address: A1208, Overseas Decoration Building, #122 Zhenhua RD., Futian, Shenzhen, China

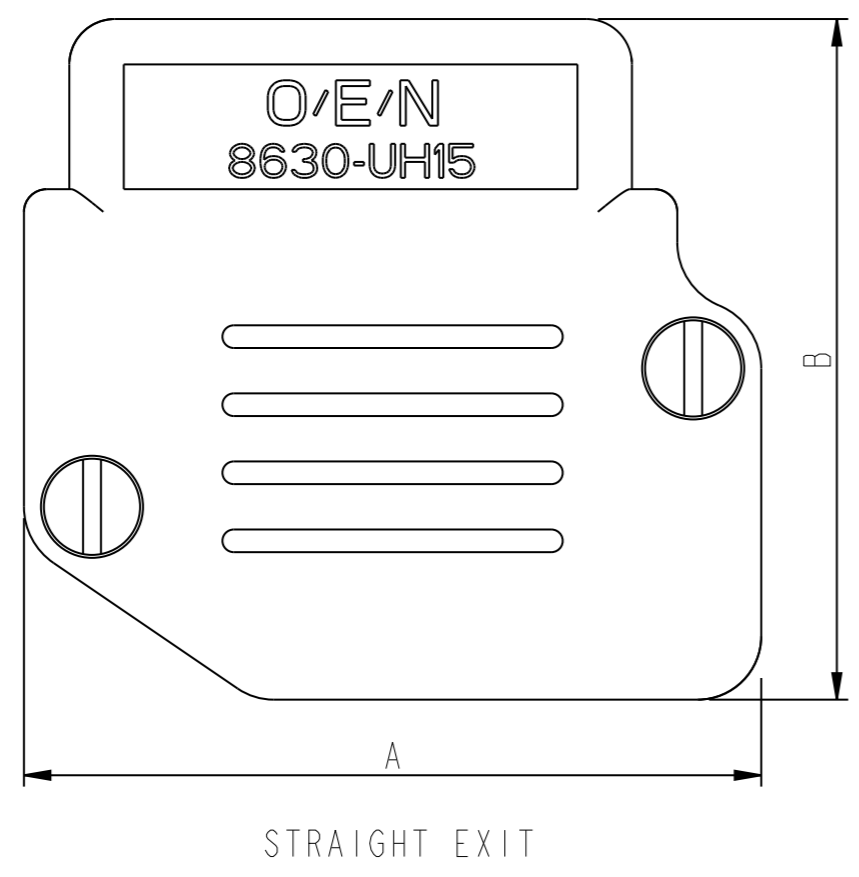


Tous droits strictement reserves. Reproduction ou communication a des tiers interdite sous quelque forme que ce soit sans autorisation écrite du propriétaire. Propriete de c FCI. Droits de reproduction FCI.

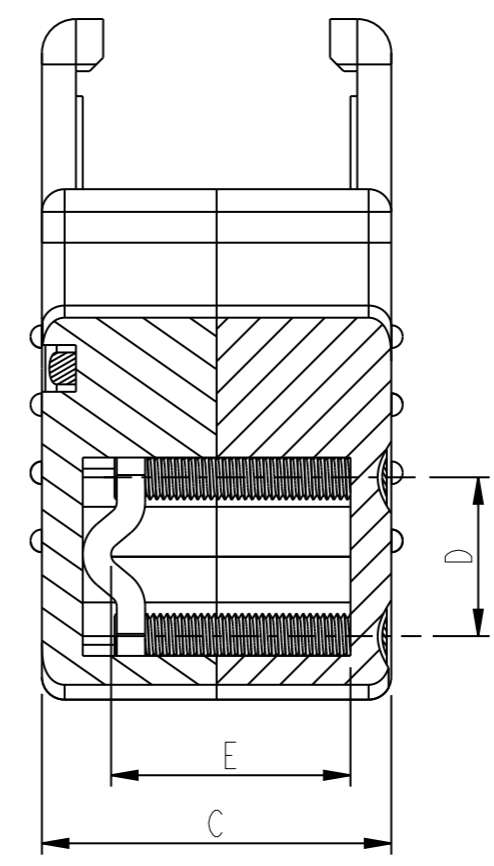
FCI

All rights strictly reserved. Reproduction or issue to third parties in any form whatever is not permitted without written authority from the proprietor. Property of FCI. Copyright FCI.

Shell Size	Part No.	DIMENSIONS					
		A	B	C	D	E Max	E Min
9	8630UH09	24.0	30.0	16.0	7.0	10.5	2.0
15	8630UH15	32.5	30.0	16.0	7.0	10.5	2.0
25	8630UH25	46.0	46.0	16.0	14.5	10.0	4.0
37	8630UH37	58.6	47.0	16.0	16.0	10.2	2.5
50	8630UH50	56.5	48.5	18.2	18.0	12.5	4.0



90° EXIT



For 25 Position hood, External cable clamp is used
Ref Drw. No. C-DSUB-0063

rev	ecn no	dr	date
A	109-0043	AMR	2009-03-18
-	-	-	-
-	-	-	-
-	-	-	-
-	-	-	-
-	-	-	-

www.fciconnect.com		surface - ISO 1302	tolerance std ISO 406 ISO 1101	projection	mm
TOLERANCES UNLESS OTHERWISE SPECIFIED					
Dr	ABHILASH M.R	2009-03-17	ANGULAR	LINEAR	size
Eng	ABHILASH M.R	2009-03-17			A3
Chr	ABHILASH M.R	2009-03-17	0° ±2°		ECN 109-0043
Appr	ABHILASH M.R	2009-03-17	Product family		Spec ref -
		UNIVERSAL HOOD		dwg no	Rev.
		D-SUB		C-DSUB-0177	A
		catalog no		CUSTOMER	sheet 1 of 1