



Chipsmall Limited consists of a professional team with an average of over 10 year of expertise in the distribution of electronic components. Based in Hongkong, we have already established firm and mutual-benefit business relationships with customers from,Europe,America and south Asia,supplying obsolete and hard-to-find components to meet their specific needs.

With the principle of “Quality Parts,Customers Priority,Honest Operation,and Considerate Service”,our business mainly focus on the distribution of electronic components. Line cards we deal with include Microchip,ALPS,ROHM,Xilinx,Pulse,ON,Everlight and Freescale. Main products comprise IC,Modules,Potentiometer,IC Socket,Relay,Connector.Our parts cover such applications as commercial,industrial, and automotives areas.

We are looking forward to setting up business relationship with you and hope to provide you with the best service and solution. Let us make a better world for our industry!



## Contact us

Tel: +86-755-8981 8866 Fax: +86-755-8427 6832

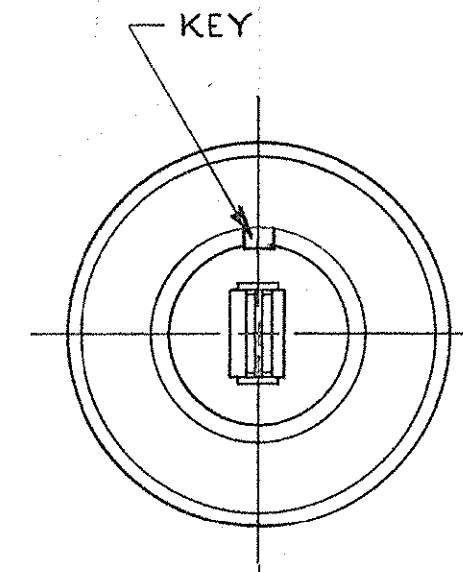
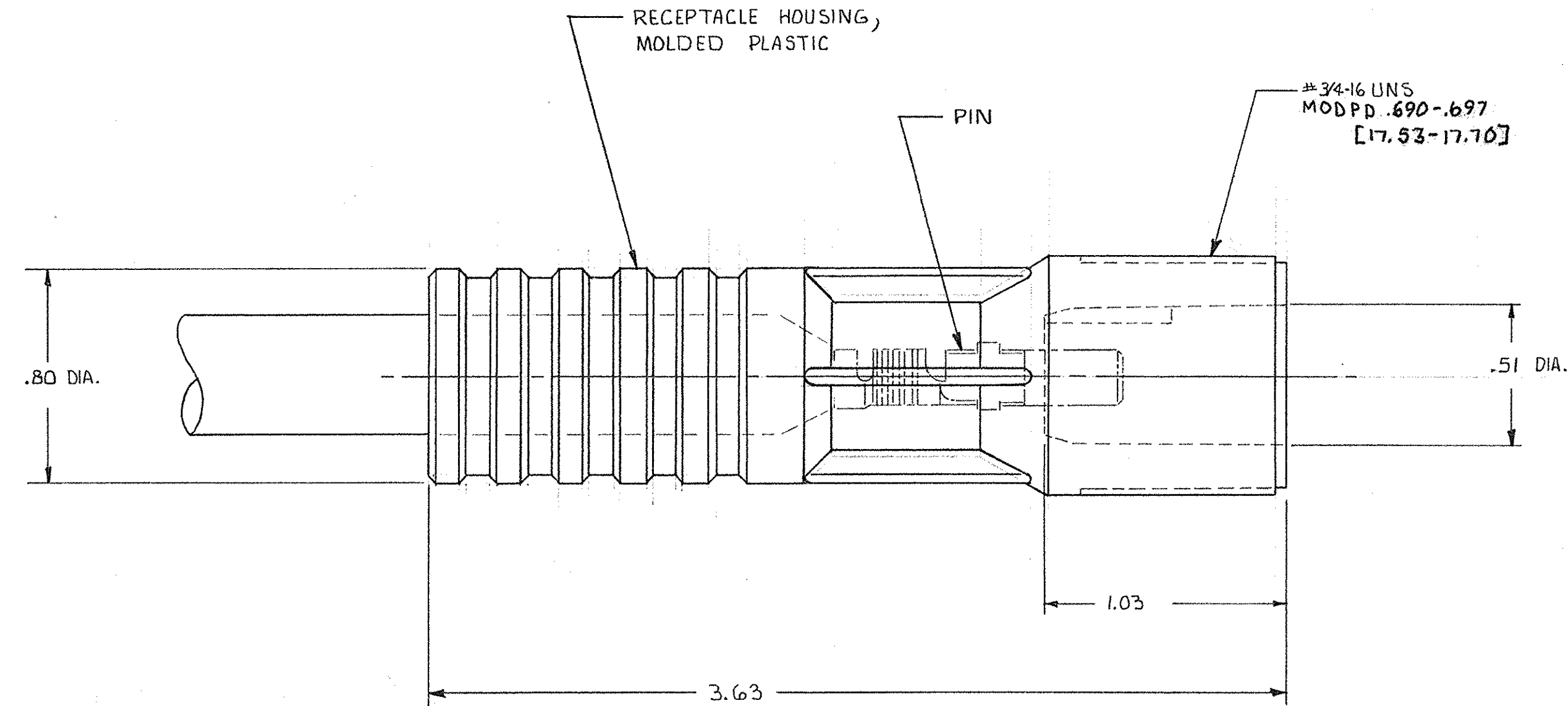
Email & Skype: info@chipsmall.com Web: www.chipsmall.com

Address: A1208, Overseas Decoration Building, #122 Zhenhua RD., Futian, Shenzhen, China



© COPYRIGHT 1976 BY AMP INCORPORATED, HARRISBURG, PA.  
 ALL INTERNATIONAL RIGHTS RESERVED. AMP INCORPORATED PRODUCTS  
 COVERED BY U. S. AND FOREIGN PATENTS AND/OR PATENTS PENDING.

REVISIONS						
P	F	ZONE	LTR	DESCRIPTION	DATE	APPROVED
			A	REVISED DIM.	DS	1-27-76
			B	WAS SK-54106-2	DS	4-7-76
			C	ADDED STRENGTHENING RIBS	DS	10-11-76
	✓		D	ADDED NOTE 1	DS	4-29-77
✓	✓		E	REV PER DF-0693	TS	8-11-88
✓	✓		F	REV PER 0600-2174-94	TT	3-22-95
			G	REV PER OH14-0192-05		1-06 PY



UNPUBLISHED COPY NOT TO BE  
 REPRODUCED NOR PUBLISHED  
 WITHOUT WRITER PERMISSION  
 OF AMP INCORPORATED.

PART NO.	WIRE SIZE RANGE (AWG)	PIN NO.	DIE INSERT NOS. HAND TOOL 69710-1 OR PNEUMATIC TOOL 69365
863104-1	8-10	66259-1	90140-1
863104-2	12-14	66261-1	90145-1
863104-3	16	66261-1	90145-2
5-863104-1	8-10	66259-5	90140-1

**OBSOLETE**

NOTE:  
 1. EXTRACTION TOOL # 863558-1.

				UNLESS OTHERWISE SPECIFIED DIMENSIONS ARE IN INCHES. TOLERANCES: .00 ± .02 .000 ± .005 ANGLES ±		CONTRACT NO DR DICK STONE 1-13-76 CHK		AMP INCORPORATED Elizabethtown, Pa.			
				MATERIAL MOLDED PLASTIC		APPD <i>J. Ashman</i> 1-15-76 APPD		NAME LGH CSL RECEPTACLE ASSEMBLY LGH			
				FINISH BLACK		DSGN APPD		SIZE CODE IDENT NO DRAWING NO C 00779 863104			
NEXT ASSY		FINAL ASSY		NEXT ASSY		USED ON		SCALE			
QTY REQD		APPLICATION								SHEET 1 of 1	