



Chipsmall Limited consists of a professional team with an average of over 10 year of expertise in the distribution of electronic components. Based in Hongkong, we have already established firm and mutual-benefit business relationships with customers from,Europe,America and south Asia,supplying obsolete and hard-to-find components to meet their specific needs.

With the principle of “Quality Parts,Customers Priority,Honest Operation,and Considerate Service”,our business mainly focus on the distribution of electronic components. Line cards we deal with include Microchip,ALPS,ROHM,Xilinx,Pulse,ON,Everlight and Freescale. Main products comprise IC,Modules,Potentiometer,IC Socket,Relay,Connector.Our parts cover such applications as commercial,industrial, and automotives areas.

We are looking forward to setting up business relationship with you and hope to provide you with the best service and solution. Let us make a better world for our industry!



## Contact us

Tel: +86-755-8981 8866 Fax: +86-755-8427 6832

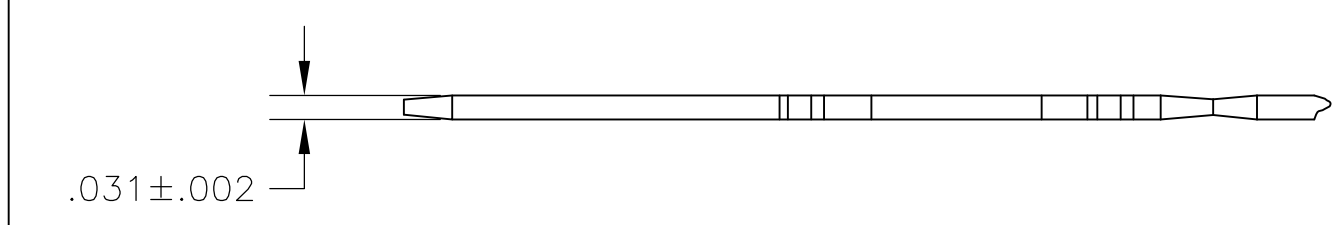
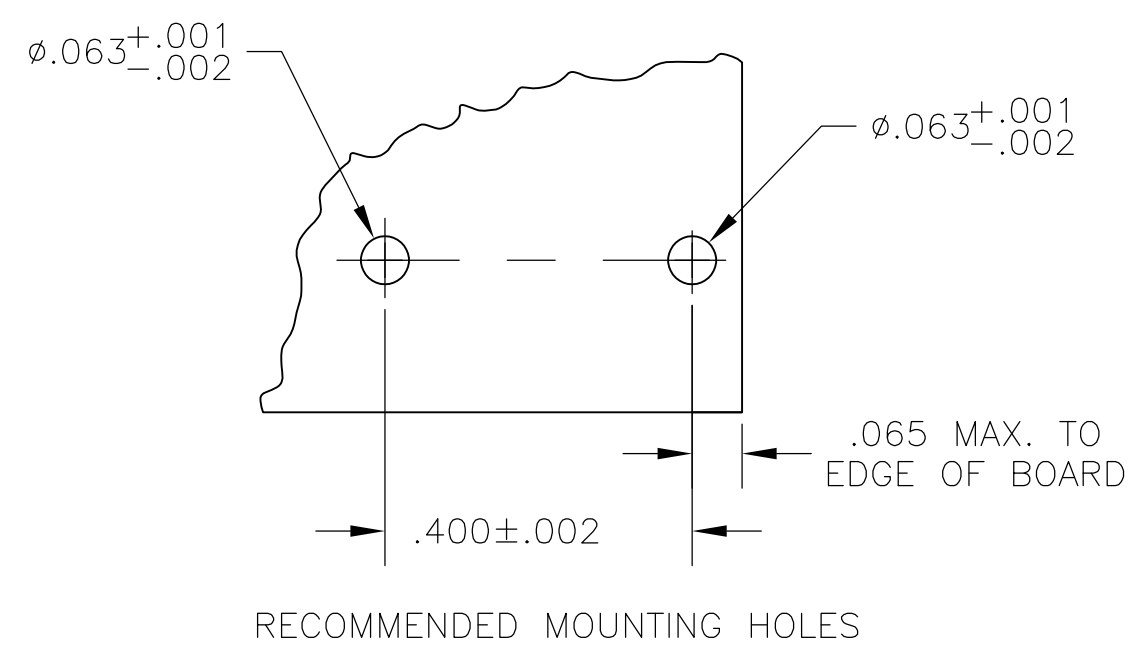
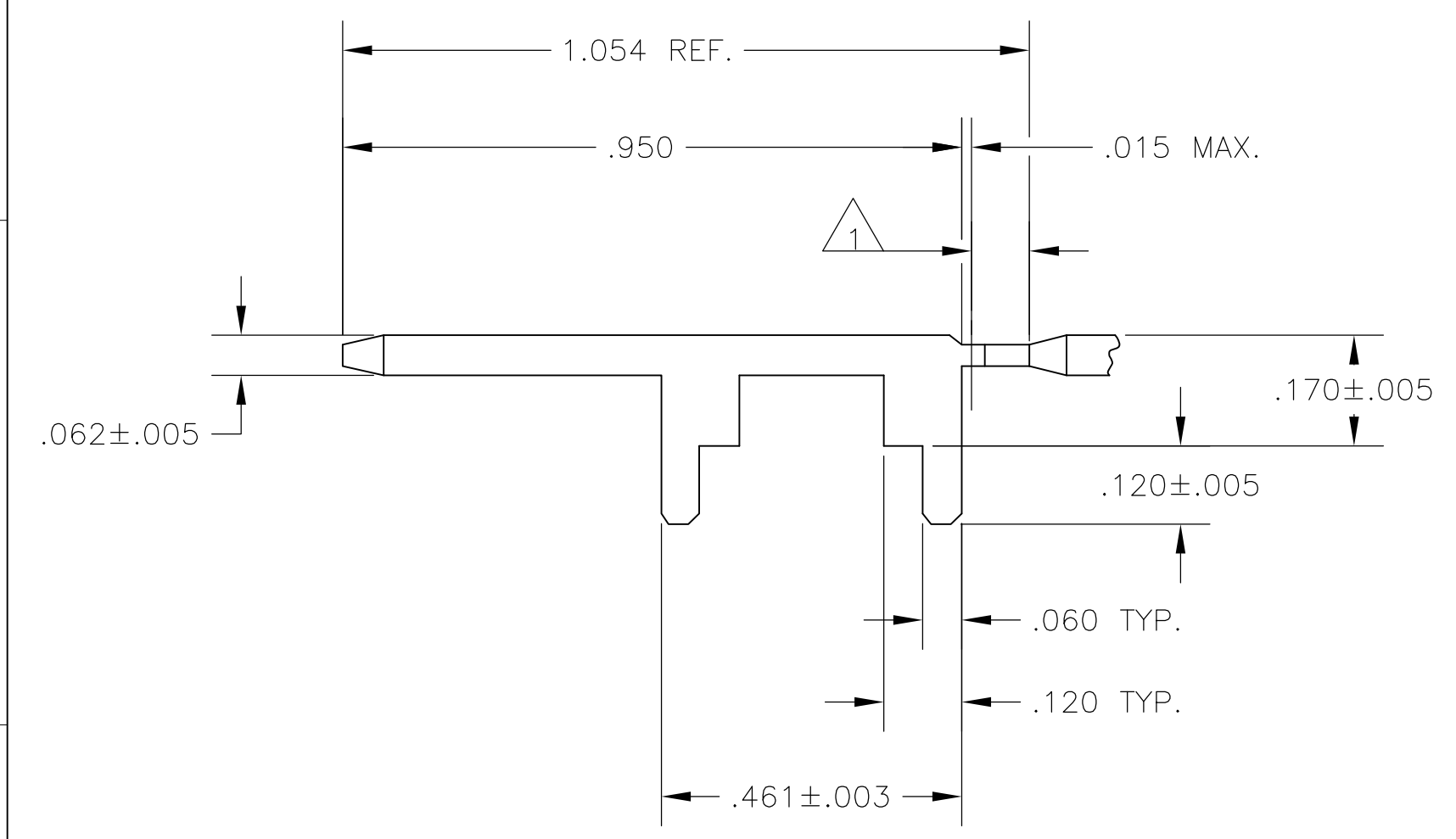
Email & Skype: info@chipsmall.com Web: www.chipsmall.com

Address: A1208, Overseas Decoration Building, #122 Zhenhua RD., Futian, Shenzhen, China



THIS DRAWING IS UNPUBLISHED. RELEASED FOR PUBLICATION  
 © COPYRIGHT BY TYCO ELECTRONICS CORPORATION. ALL RIGHTS RESERVED.

LOC	DIST	REVISIONS			
P	LTR	DESCRIPTION	DATE	DWN	APVD
AD	00	E3	REVISED PER ECO-11-001568	24JAN11	HMR JO



FINISH	PART NO.
2 .000100-000200 MATTE TIN OVER .000050 NICKEL	5-86311-6
.000100-000200 BRIGHT TIN OVER .000030 NICKEL	86311-6
OBSOLETE .000015 GOLD OVER .000050 NICKEL	86311-4
3 OBSOLETE .000030 GOLD OVER .000050 NICKEL	86311-3
.000100-000200 BRIGHT TIN-LEAD OVER .000030 NICKEL	86311-2

- 1 THIS SECTION IS SHEARED OUT BY APPLICATOR
- 2 ROHS 2002/95/EC COMPLIANT
- 3 OBSOLETE PARTS: OBSOLETE CIS STREAMLINING PER D.RENAUD/D.SINISI

THIS DRAWING IS A CONTROLLED DOCUMENT.		DWN GURURAJ 24AUG06	Tyco Electronics Corporation Harrisburg, Pa 17105-3608	
DIMENSIONS: INCHES	TOLERANCES UNLESS OTHERWISE SPECIFIED:	CHK -	NAME CONTACT POST, RIGHT ANGLE, MALE MOD. I	
	0 PLC ± -	APVD -	PRODUCT SPEC -	
	1 PLC ± -	PRODUCT SPEC -	APPLICATION SPEC -	
	2 PLC ± -	APVD -	SIZE A3	CAGE CODE 00779
	3 PLC ± .010	PRODUCT SPEC -	DRAWING NO C-86311	RESTRICTED TO -
	4 PLC ± -	APVD -	SCALE 4:1	SHEET 1 OF 1
	ANGLES ± -	PRODUCT SPEC -	REV E3	
MATERIAL BRASS	FINISH SEE TABLE	WEIGHT -	CUSTOMER DRAWING	