



Chipsmall Limited consists of a professional team with an average of over 10 year of expertise in the distribution of electronic components. Based in Hongkong, we have already established firm and mutual-benefit business relationships with customers from,Europe,America and south Asia,supplying obsolete and hard-to-find components to meet their specific needs.

With the principle of “Quality Parts,Customers Priority,Honest Operation,and Considerate Service”,our business mainly focus on the distribution of electronic components. Line cards we deal with include Microchip,ALPS,ROHM,Xilinx,Pulse,ON,Everlight and Freescale. Main products comprise IC,Modules,Potentiometer,IC Socket,Relay,Connector.Our parts cover such applications as commercial,industrial, and automotives areas.

We are looking forward to setting up business relationship with you and hope to provide you with the best service and solution. Let us make a better world for our industry!



Contact us

Tel: +86-755-8981 8866 Fax: +86-755-8427 6832

Email & Skype: info@chipsmall.com Web: www.chipsmall.com

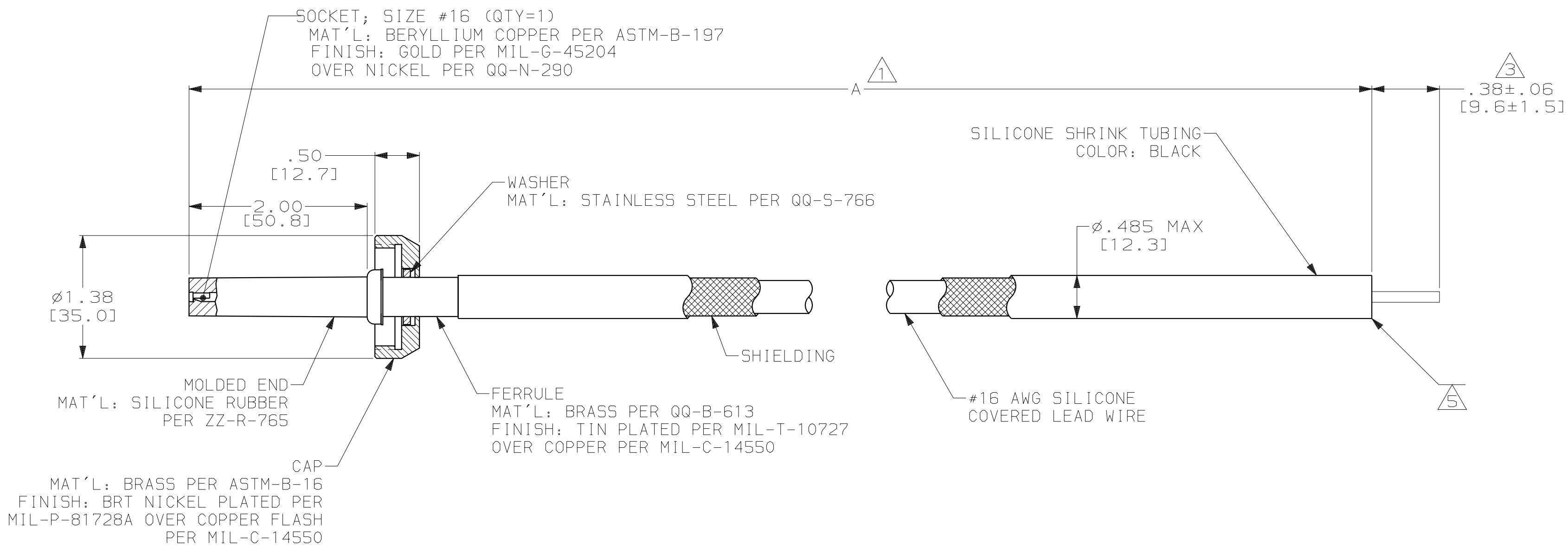
Address: A1208, Overseas Decoration Building, #122 Zhenhua RD., Futian, Shenzhen, China



THIS DRAWING IS UNPUBLISHED. RELEASED FOR PUBLICATION, 19 .
 © COPYRIGHT 19 BY AMP INCORPORATED. ALL INTERNATIONAL RIGHTS RESERVED.

LOC	DIST	P	F	ZONE	LTR	DESCRIPTION	DATE	APPD
DF	50				H	REV PER OH14-0580-04	CT	10-7-04 DE

PART NO.	A	
863124-1	12.00 [304.8]	OBSOLETE
863124-2	24.00 [609.6]	
863124-3	36.00 [914.4]	OBSOLETE
863124-4	60.00 [1524.0]	OBSOLETE
863124-5	81.00 [2057.4]	OBSOLETE
863124-6	48.00 [1219.2]	
863124-7	144.00 [3657.6]	
863124-8	240.00 [6096.0]	



- 1. TOLERANCE OF LEAD LENGTH:
UP TO 24 INCHES [609.6] = ±.12 [±3.0]
24 INCHES [609.6] & UP = ±1%
- 2. MARKED PER MIL-STD-130.
- 3. PIGTAIL IS SOLDER DIPPED.
- 4. TO MATE WITH AMP LGH-4 RECEPTACLE WITH 2.00 [50.8] BARREL DEPTH.
- 5. CUSTOMER TO STRIP AND TERMINATE.

DO NOT SCALE PRINT. UNLESS SPECIFIED DIMENSIONS IN INCHES [mm] TOLERANCES ON : 2 PLC DEC ± .01 [0.3] 3 PLC DEC ± - ANGLES ± -	DR 10-7-93 C.C.THOMAS	AMP Incorporated Harrisburg, PA 17105-3608	
	CHK 10-7-93 D.EABY		
MATERIAL SEE CALLOUTS	APPD 10-7-93 D.EABY	NAME	
	APPD 10-7-93 C.C.THOMAS	LEAD ASSY, SGL. END, SHIELDED. VRL-4, LGH	
FINISH SEE CALLOUTS	PRODUCT SPEC -	SIZE	CAGE CODE
	APPLICATION SPEC -	C	00779
WEIGHT -		DRAWING NO	
		C=863124	
	SCALE 1:1	SHEET	1 OF 1

THIS DRAWING IS A CONTROLLED DOCUMENT FOR AMP INCORPORATED. IT IS SUBJECT TO CHANGE AND THE CONTROLLING ENGINEERING ORGANIZATION SHOULD BE CONTACTED FOR THE LATEST REVISION.