



Chipsmall Limited consists of a professional team with an average of over 10 year of expertise in the distribution of electronic components. Based in Hongkong, we have already established firm and mutual-benefit business relationships with customers from,Europe,America and south Asia,supplying obsolete and hard-to-find components to meet their specific needs.

With the principle of “Quality Parts,Customers Priority,Honest Operation,and Considerate Service”,our business mainly focus on the distribution of electronic components. Line cards we deal with include Microchip,ALPS,ROHM,Xilinx,Pulse,ON,Everlight and Freescale. Main products comprise IC,Modules,Potentiometer,IC Socket,Relay,Connector.Our parts cover such applications as commercial,industrial, and automotives areas.

We are looking forward to setting up business relationship with you and hope to provide you with the best service and solution. Let us make a better world for our industry!



## Contact us

Tel: +86-755-8981 8866 Fax: +86-755-8427 6832

Email & Skype: info@chipsmall.com Web: www.chipsmall.com

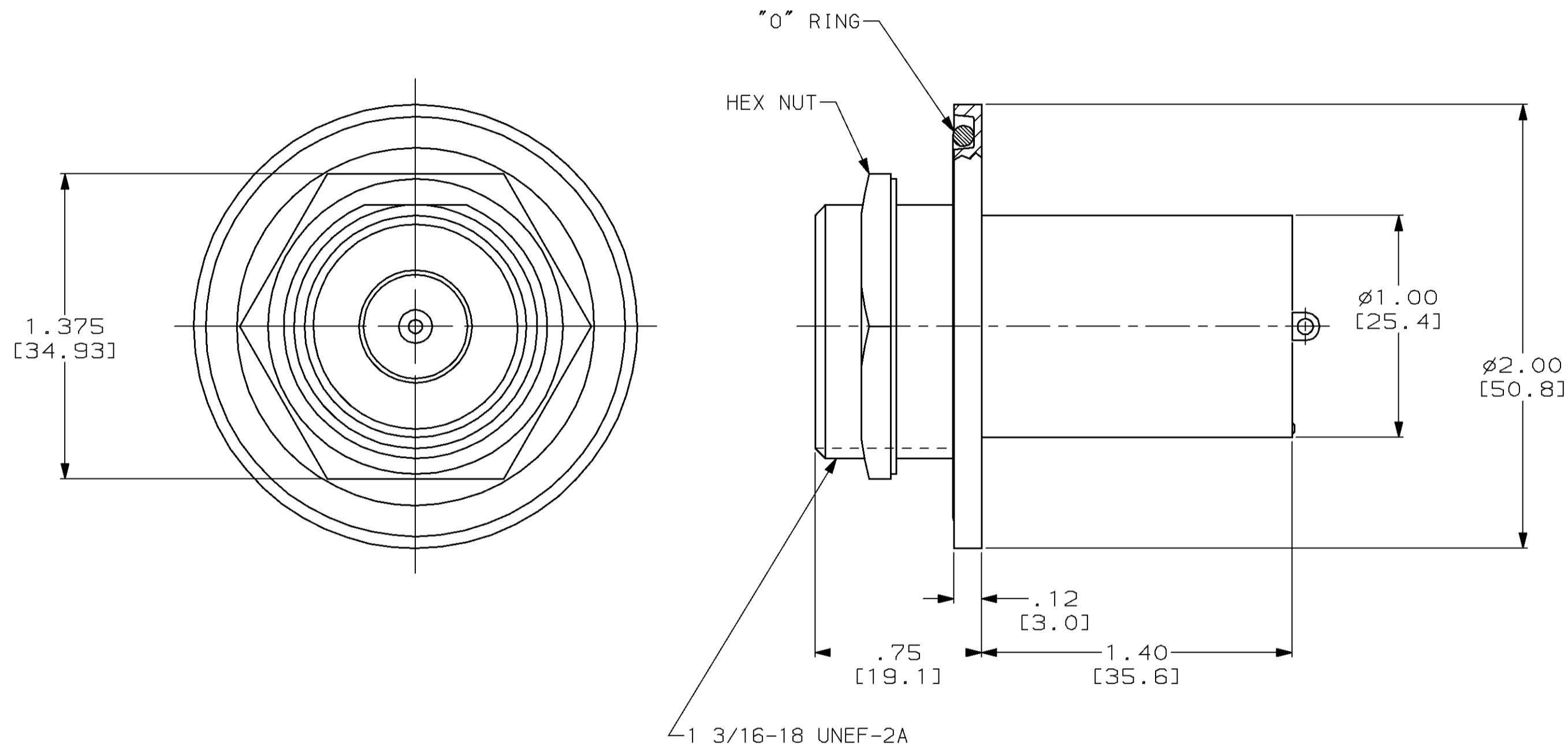
Address: A1208, Overseas Decoration Building, #122 Zhenhua RD., Futian, Shenzhen, China



THIS DRAWING IS UNPUBLISHED. RELEASED FOR PUBLICATION  
 BY AMP INCORPORATED. ALL RIGHTS RESERVED.

Loc		DIST		REVISIONS			
P	LTR	DESCRIPTION	DATE	DWN	APVD		
DF	SO	A	REV PER 0600-6359-97	10-15-97	TT	SG	

1. THIS RECEPTACLE IS HERMETICALLY SEALED.
2. THIS RECEPTACLE MATES WITH LEAD NO 863124.
3. RECOMMENDED MAX PANEL THICKNESS IS .175.



863125-1  
 PART NUMBER

THIS DRAWING IS A CONTROLLED DOCUMENT.		DWN T. THOMPSON	10-15-97	<b>AMP</b> AMP Incorporated Harrisburg, PA 17105-3608
DIMENSIONS: IN [MM]		CHK S. GLATFELTER	01-28-98	
TOLERANCES UNLESS OTHERWISE SPECIFIED:		APVD S. GLATFELTER	01-28-98	NAME RECEPTACLE, VERSATILE RUGGEDIZED, LGH-4
0 PLC ±-	1 PLC ±-	PRODUCT SPEC		SIZE A2
2 PLC ±.02 [0.51]	3 PLC ±.005 [0.13]	APPLICATION SPEC		CAGE CODE 00779
4 PLC ±-	ANGLES ±-			DRAWING NO 863125
MATERIAL -	FINISH -	WEIGHT -		RESTRICTED TO -
CUSTOMER DRAWING			SCALE 2:1	SHEET 1 OF 1
			REV A	

863125