



Chipsmall Limited consists of a professional team with an average of over 10 year of expertise in the distribution of electronic components. Based in Hongkong, we have already established firm and mutual-benefit business relationships with customers from,Europe,America and south Asia,supplying obsolete and hard-to-find components to meet their specific needs.

With the principle of “Quality Parts,Customers Priority,Honest Operation,and Considerate Service”,our business mainly focus on the distribution of electronic components. Line cards we deal with include Microchip,ALPS,ROHM,Xilinx,Pulse,ON,Everlight and Freescale. Main products comprise IC,Modules,Potentiometer,IC Socket,Relay,Connector.Our parts cover such applications as commercial,industrial, and automotives areas.

We are looking forward to setting up business relationship with you and hope to provide you with the best service and solution. Let us make a better world for our industry!



Contact us

Tel: +86-755-8981 8866 Fax: +86-755-8427 6832

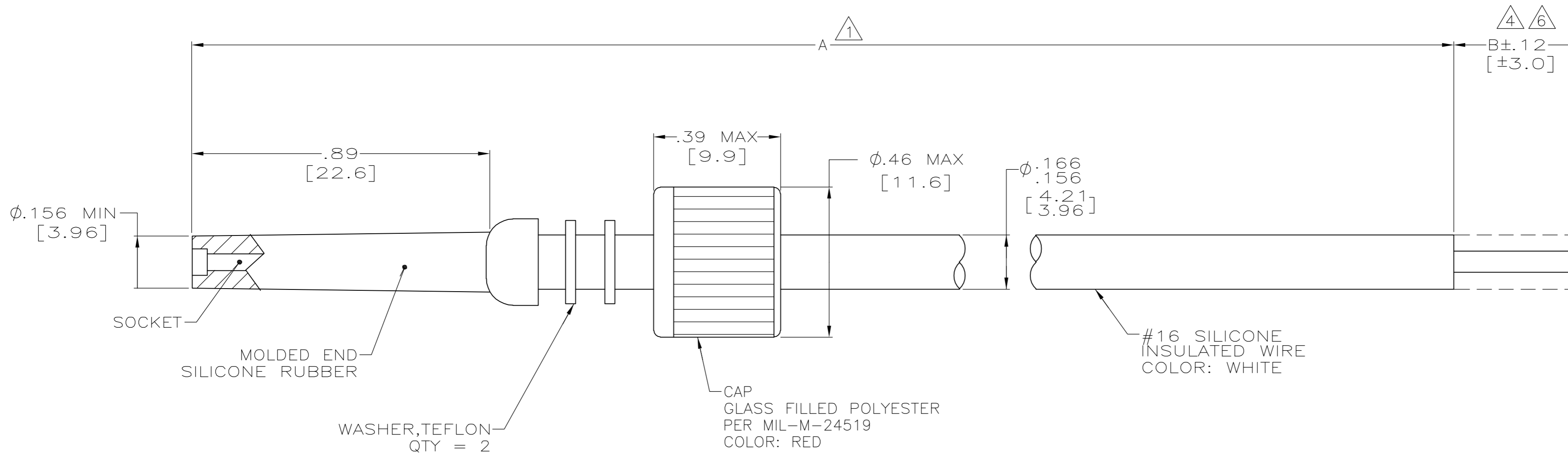
Email & Skype: info@chipsmall.com Web: www.chipsmall.com

Address: A1208, Overseas Decoration Building, #122 Zhenhua RD., Futian, Shenzhen, China



THIS DRAWING IS UNPUBLISHED. RELEASED FOR PUBLICATION
 © COPYRIGHT BY TYCO ELECTRONICS CORPORATION. ALL RIGHTS RESERVED.

LOC	DIST	REVISIONS					
DF	S0	P	LTR	DESCRIPTION	DATE	DWN	APVD
		H		REV PER ECO-05-014991	06FEB06	PY	DE



- 1. TOLERANCE OF LEAD LENGTH:
 UP TO 24 INCHES [609.6] = ±.12 [±3.0]
 24 INCHES [609.6] & UP = ±1%
- 2. MARKED PER MIL-STD-130.
- 3. TO MATE WITH AMP LGH-1/2L
 RECEPTACLE WITH .89 [22.6] BARREL DEPTH.
- 4. "B" DIMENSION IS SOLDER DIPPED.
- 5. OPERATING VOLTAGE: 15 KVDC AT 0 TO 70,000 FEET, -55° C TO 125° C.
- 6. INSULATION CUT, BUT NOT REMOVED

	6	.38 [9.7]	15.00 [381.0]	5-863139-3
OBSOLETE	4	.38 [9.7]	24.00 [609.6]	863139-4
	4	.38 [9.7]	15.00 [381.0]	863139-3
OBSOLETE	4	.25 [6.3]	6.00 [152.4]	863139-2
OBSOLETE	4	.38 [9.7]	21.00 [533.4]	863139-1
REMARKS	B 4	A 1	PART NO.	

THIS DRAWING IS A CONTROLLED DOCUMENT.		DWN	12-20-89	C.C. THOMAS		Tyco Electronics Corporation	
DIMENSIONS: INCHES		CHK	12-20-89	D. EABY		Harrisburg, Pa 17105-3608	
TOLERANCES UNLESS OTHERWISE SPECIFIED:		APVD	-	NAME		LEAD ASS'Y, SGL. END, LGH-1/2L	
0 PLC ± -		PRODUCT SPEC	-	SIZE		CAGE CODE	DRAWING NO
1 PLC ± -		APPLICATION SPEC	-	A2		00779	C=863139
2 PLC ± .02 [0.5]		WEIGHT	-	SCALE		SHEET	OF
3 PLC ± -		CUSTOMER DRAWING	-	4:1		1	1
4 PLC ± -		FINISH	-	REV		H	
ANGLES ± -							
SEE CALLOUTS							